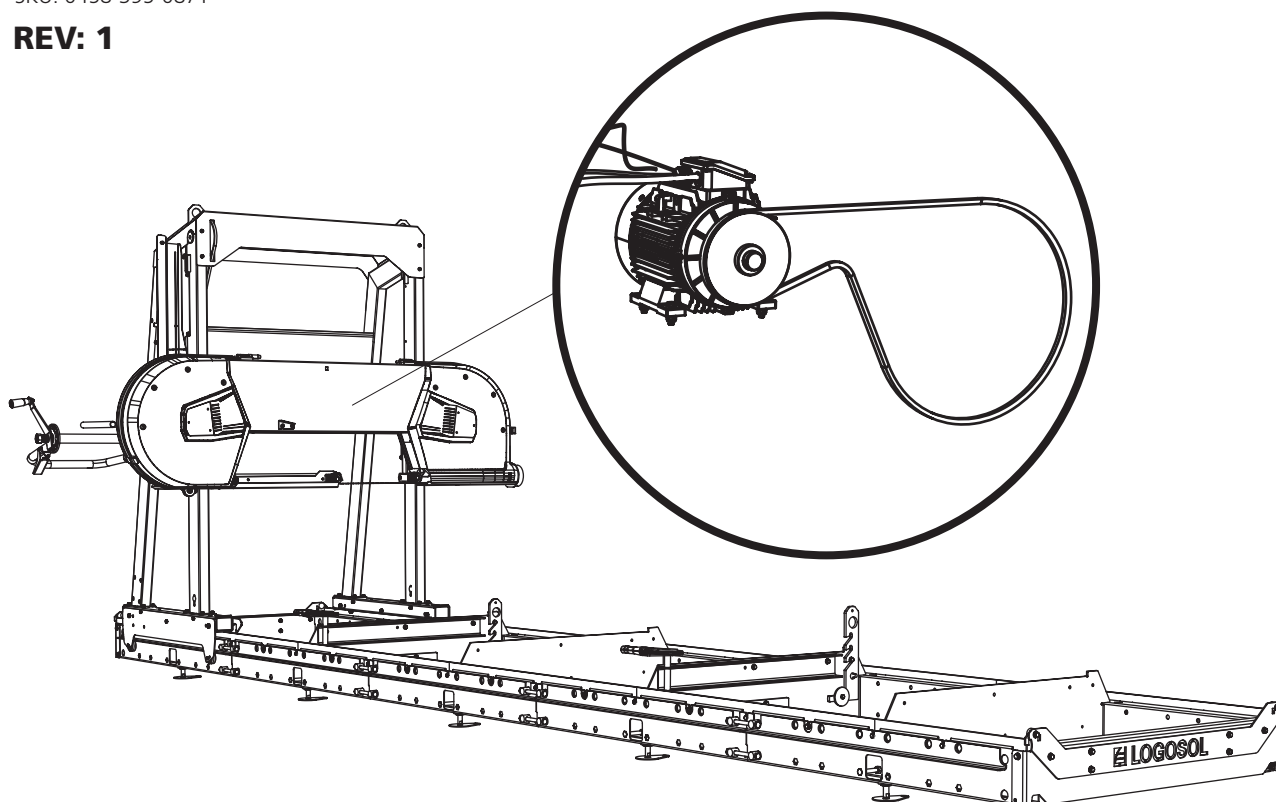


# USER MANUAL

ORIGINAL USER MANUAL.

SKU: 0458-395-0871

**REV: 1**



## 12 KW ELECTRIC MOTOR

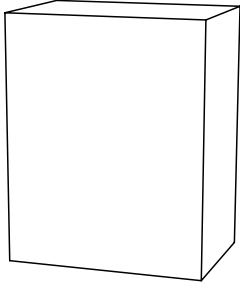
This manual describes installation of the electric motor for the Logosol band sawmill.

Please see the user manual for your band sawmill for information on assembly, settings and safety instructions.



Read through the user manual carefully and make sure you understand its contents before using the saw.

## PACK SUPPLIED



8400-000-0080  
12 kW electric motor, 400V

---

8400-000-0082  
12 kW electric motor, 230V



## FINAL SAW HEAD ASSEMBLY, 12 KW ELECTRIC MOTOR



Read through all the set-up instructions before starting to set up, then follow the instructions step by step as you work.



Numbering for installation sequence

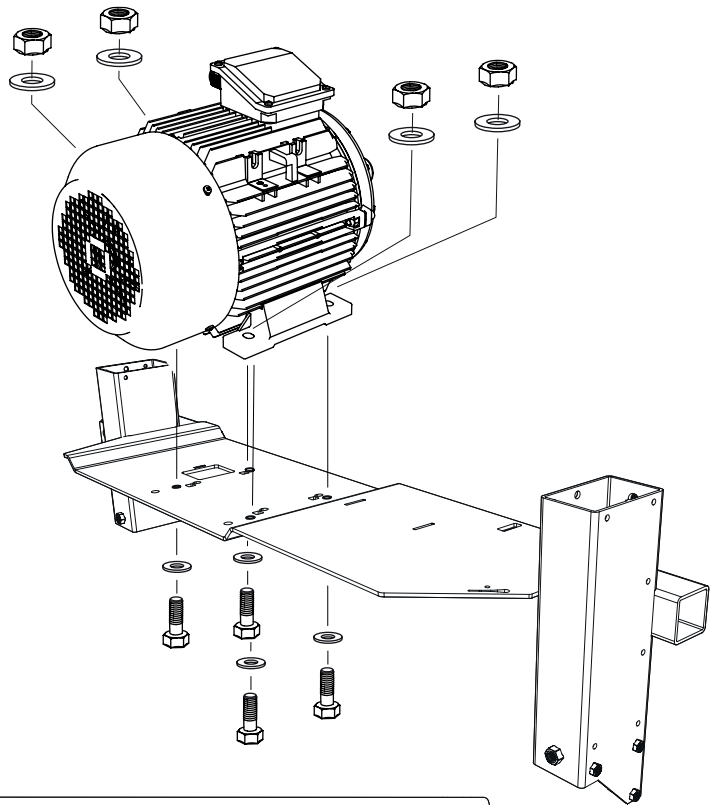


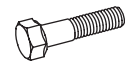


After assembly, follow the instructions in the sawmill manual under the heading *Setup sequence* to complete the setting before starting up the machine.

1

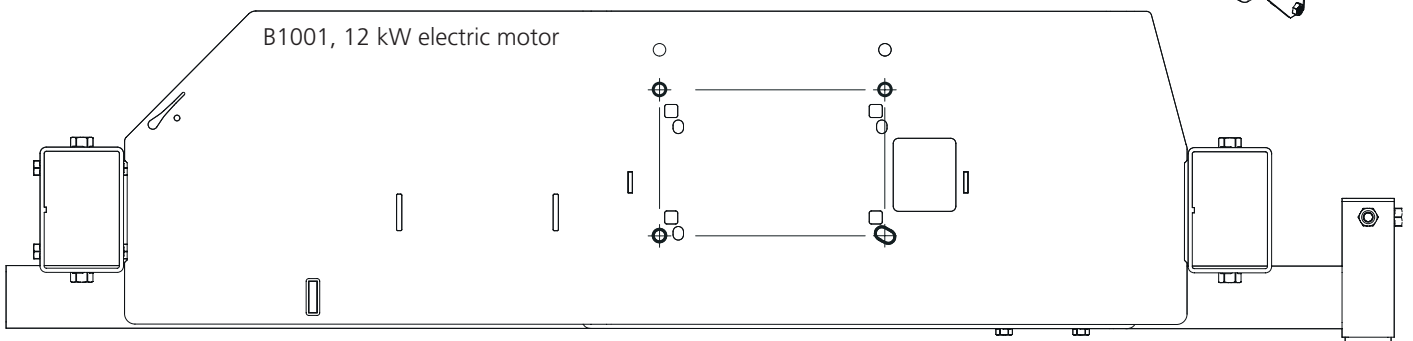
**INSTALLATION: ELECTRIC MOTOR**

The electric motor comes with the hinge switch connected. Assembly consists of installing the motor on the motor shelf, as well as mounting the pulley and drive belt. The illustration shows the hole pattern for mounting the 12 kW electric motor. Follow the assembly instructions, then run through the setup sequence for the machine when assembly is complete.

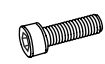
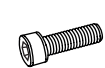





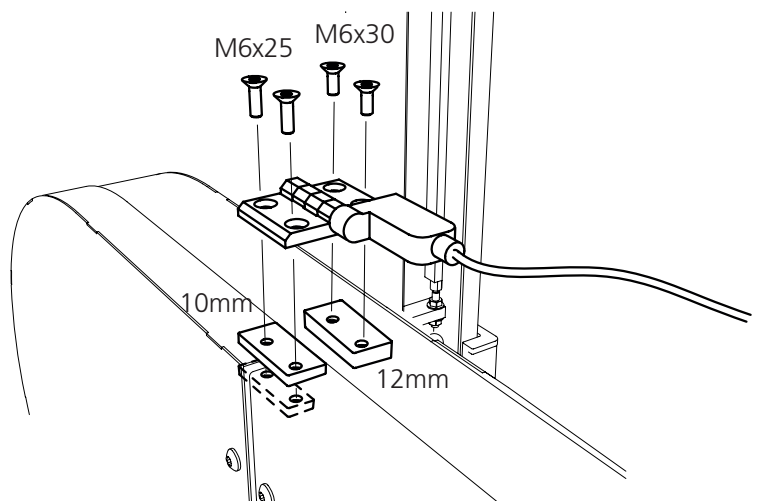
-  4 x – M10x40
-  4 x – M10
-  8 x – M10

Top view:



2

-  2 x – M6x25
-  2 x – M6x30
-  1 x – 03-01997  
10mm
-  1 x – 03-02080  
12mm
-  2 x – 03-02182



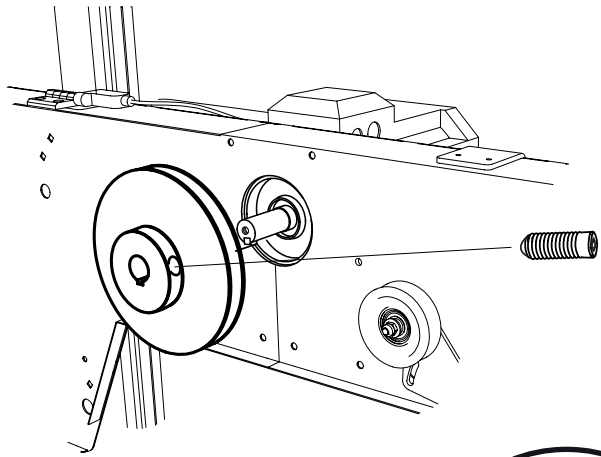
3



1 x



1 x - 03-01988



4



1 x - M5x50



2 x - M5x16



6 x - 6x16x1



3 x - M5



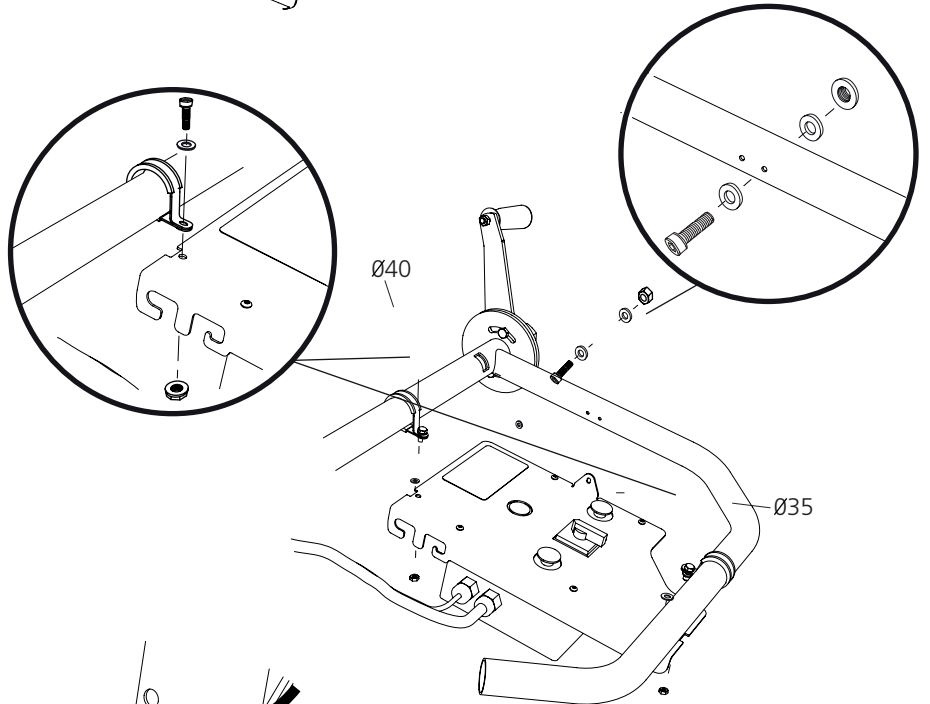
1 x - 9038-013-0003

Ø35



1 x - 9038-013-0004

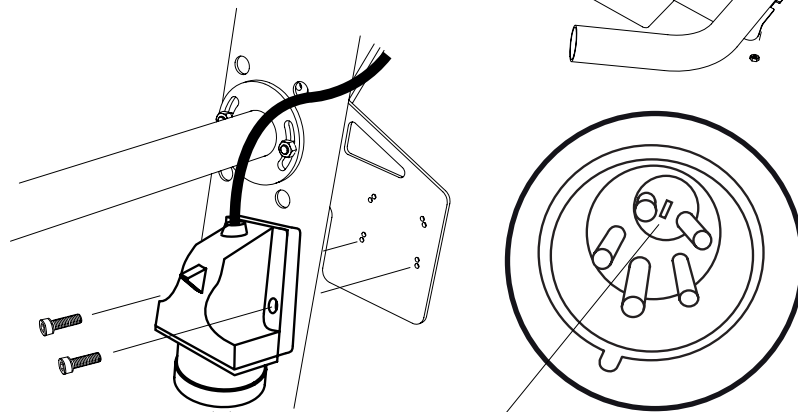
Ø40



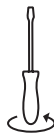
5



2 x - M5x16

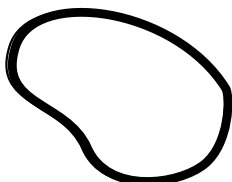


Possibility of phase change to change the direction of rotation of the motor.

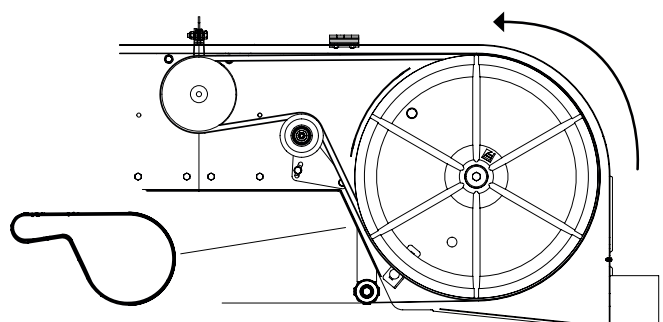


6

Fit the drive belt over the wheel and pulley.

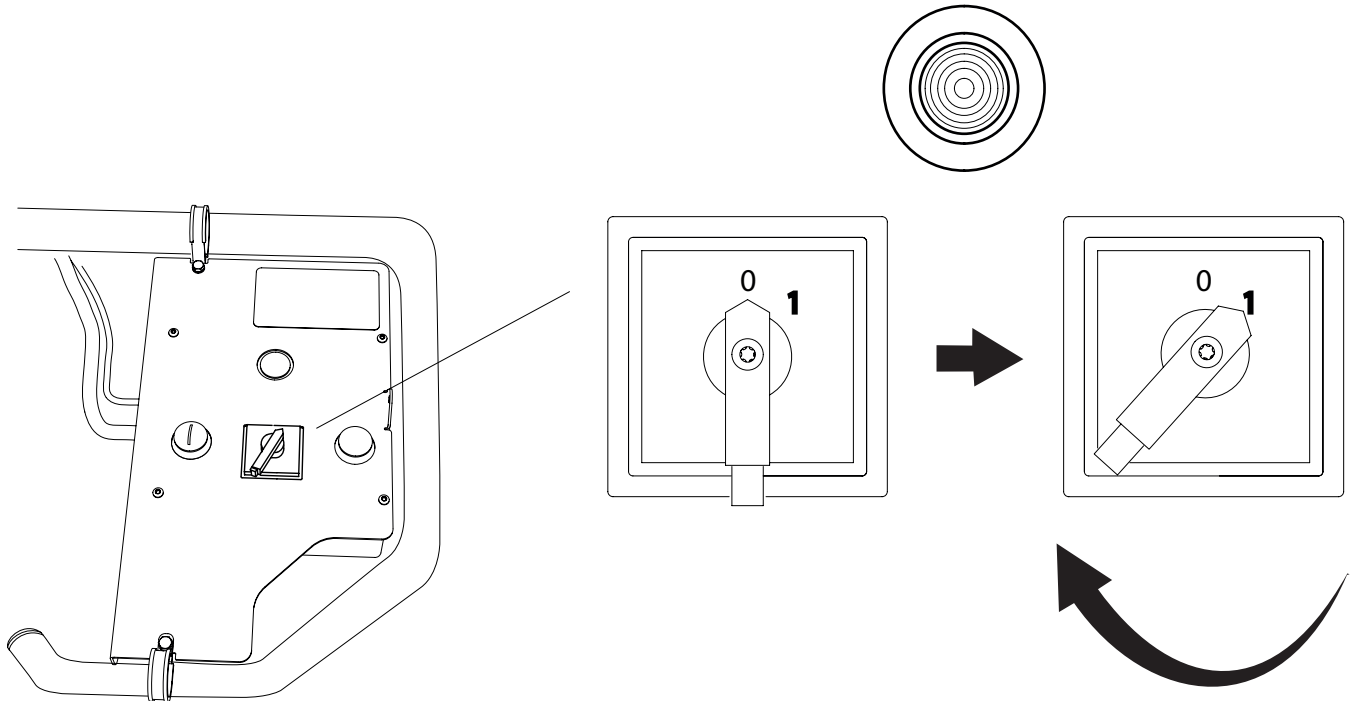


1 x - 9020-011-0091



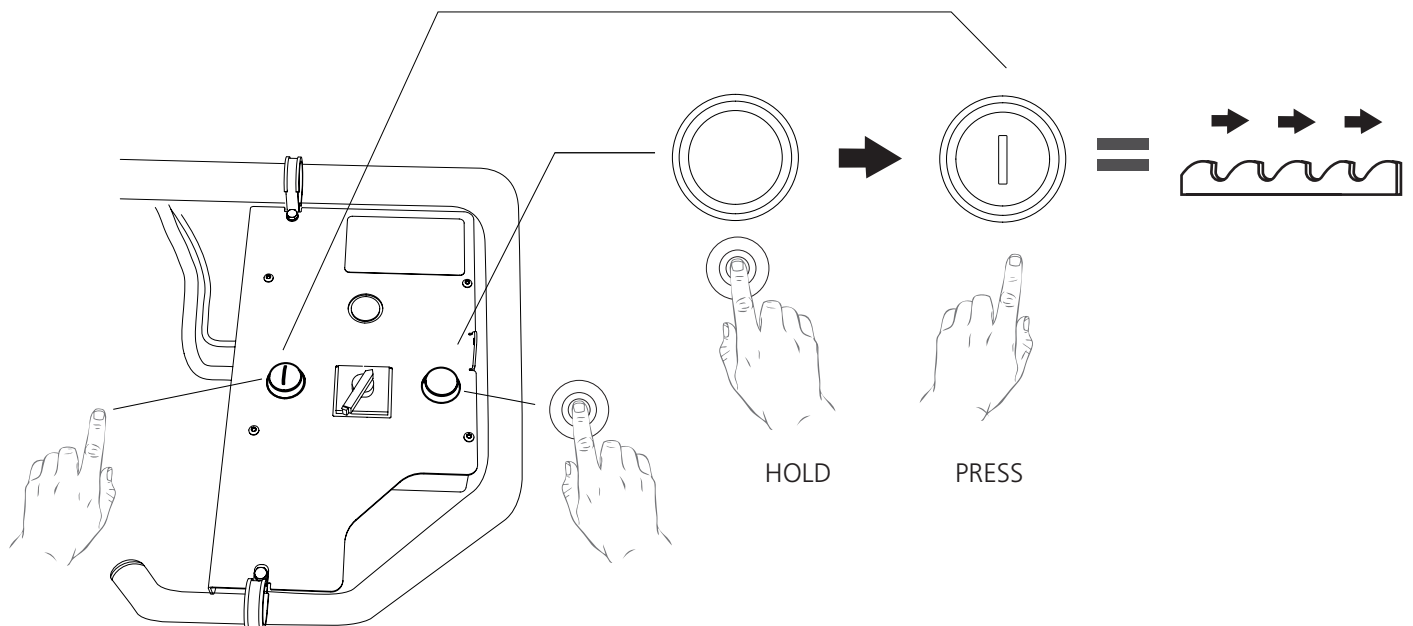
**TURN ON/OFF THE SWITCH BOX**

Turn the dead man's switch to (1) to turn on the power supply to the machine.



**START THE MOTOR**

Hold down the dead man's switch (button on the right) to start the motor. Then press the start button (on the left). You can release the left button when the motor has started. The motor will now run until the dead man's switch is released.





Well done!

Now you have finished installing the motor, go back to the manual for your band sawmill and carry on with the setup sequence, starting at the point as indicated in the instructions below.

## SETUP SEQUENCE



Read through all the set-up instructions before starting to set up, then follow the instructions step by step as you work.



### **IMPORTANT!**

It is important to adjust the saw head before starting to ensure satisfactory sawing and the correct functioning of the sawmill. Follow the setup sequence carefully! Certain adjustments affect other machine settings.





Fiskaregatan 2, SE-871 33 Härnösand, Sweden  
0611-182 85 | [info@logosol.se](mailto:info@logosol.se) | [www.logosol.se](http://www.logosol.se)