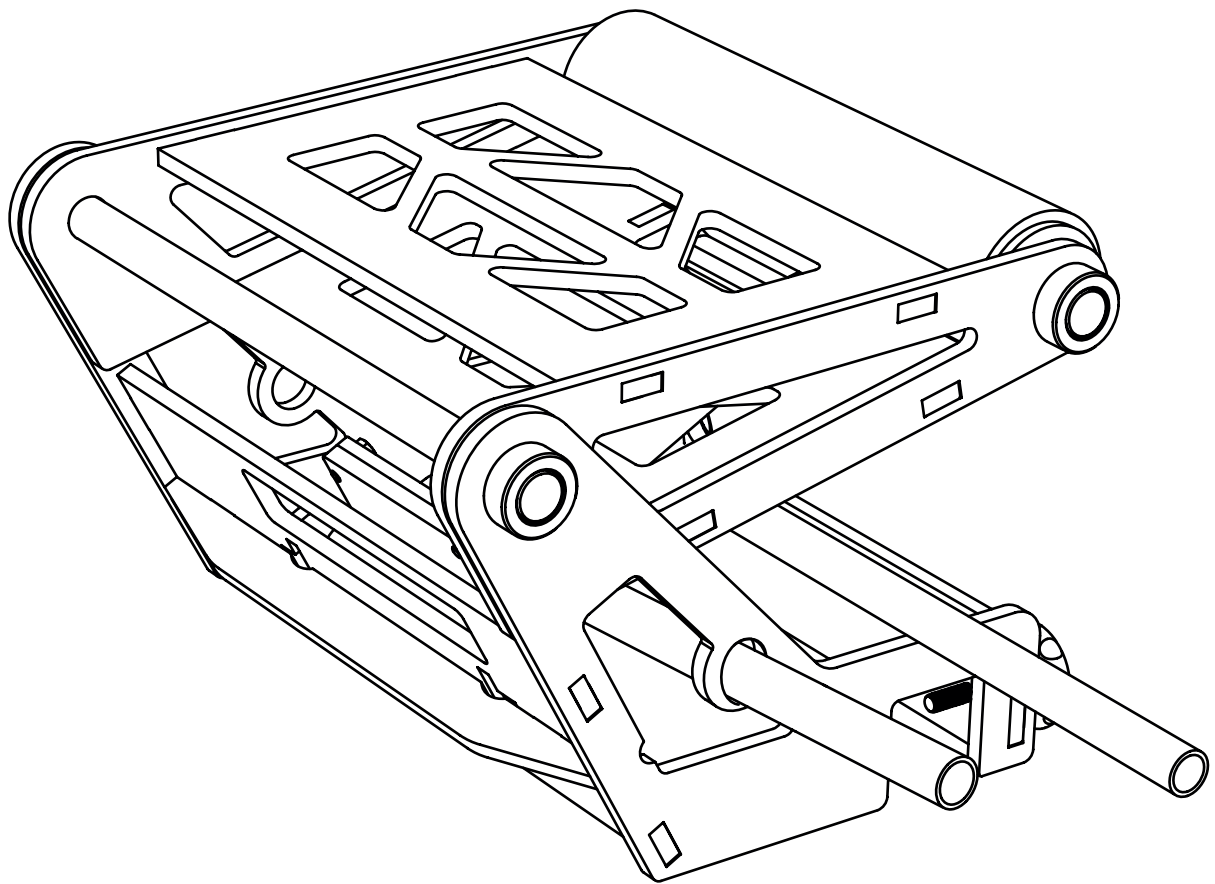



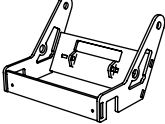



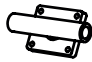


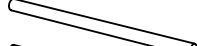
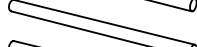

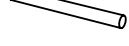



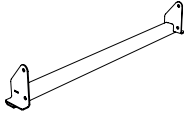

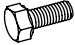



# ASSEMBLY INSTRUCTIONS

Ref. No: 0458-395-0591



## HYDRAULIC TOE BOARD

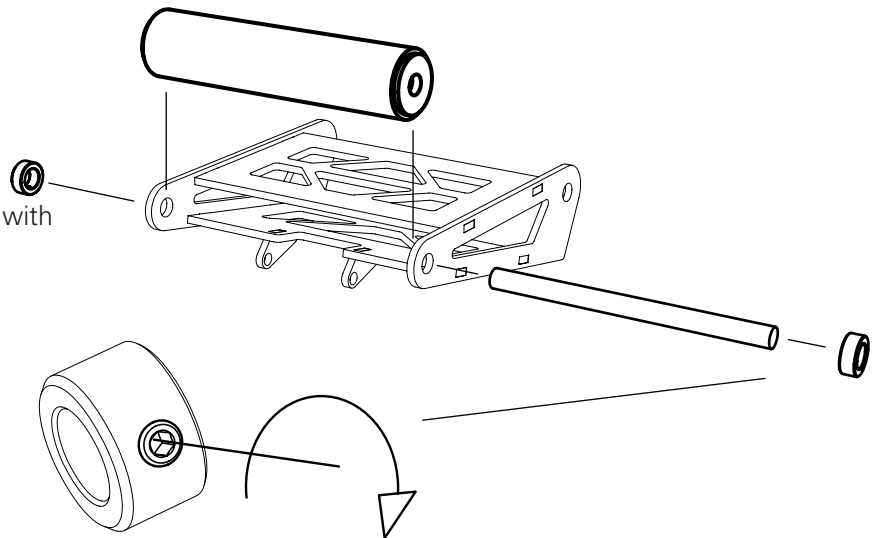
## COMPONENTS

	_____	1 x	—	Link arm	SR-00004
	_____	1 x	—	Lower bracket	02-00356
	_____	1 x	—	Roller	02-00377
	_____	1 x	—	Lock plate	DR-00055
	_____	1 x	—	Bottom mount	SR-00006
	_____	1 x	—	Top mount	SR-00007
	_____	2 x	—	Knob	DK-00006
	_____	1 x	—	Attachment frame	DR-00060
	_____	1 x	—	Top roller axle	DR-00071
	_____	1 x	—	Link arm axle	DR-00070
	_____	1 x	—	Top mount axle	DR-00074
	_____	1 x	—	Bottom mount axle	DR-00073
	_____	8 x	—	Lock ring	DK-00004
	_____	1 x	—	Lock plate	DR-00059
	_____	1 x	—	Jack	DS-00008
	_____	1 x	—	Toe board holder	02-00357
					
Bolt bag		— 4 x	—	Hex bolt M6x12	
		— 2 x	—	Hex bolt M6x16	
		— 2 x	—	Hex bolt M6x20	
		— 2 x	—	Flat washer M6	

# ASSEMBLY

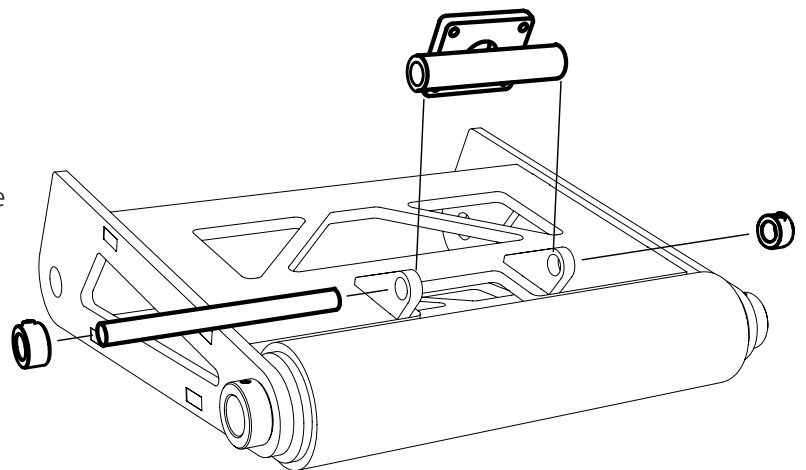
1

Fit the roller to the link arm. Secure the axle with lock rings.



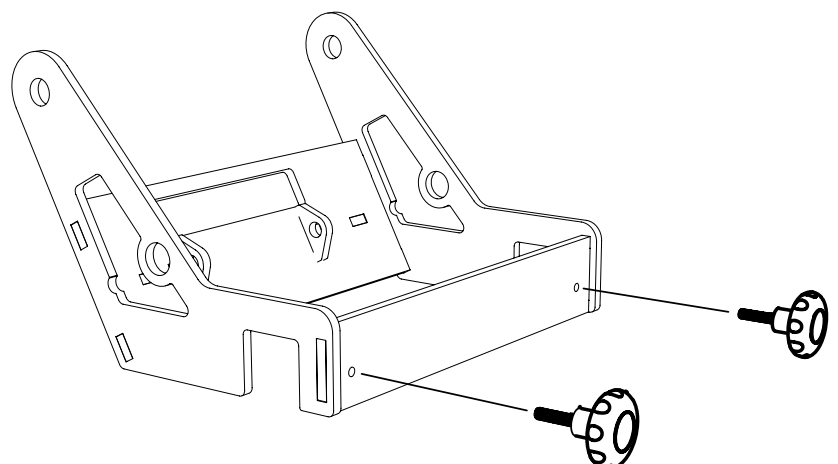
2

Fit the top mount to the link arm. Secure the axle with lock rings.



3

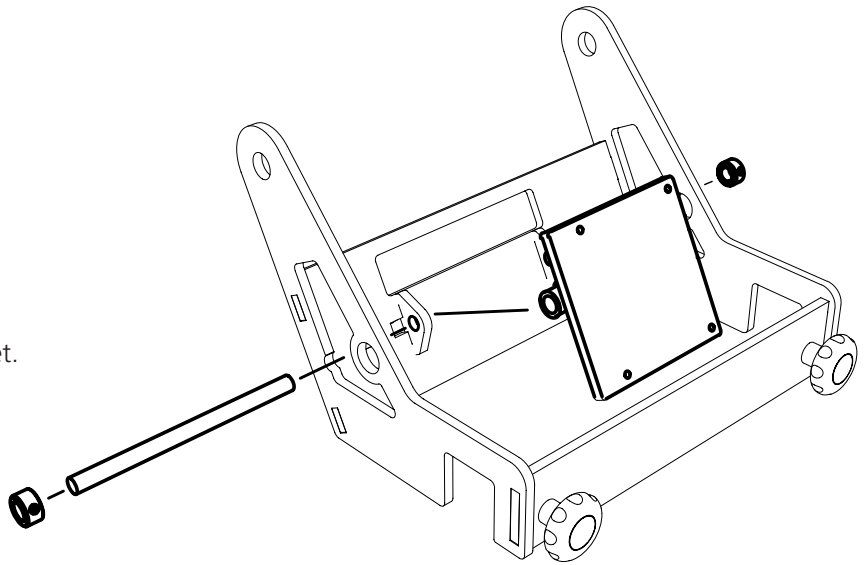
Fit the knobs to the lower bracket.



## ASSEMBLY

4

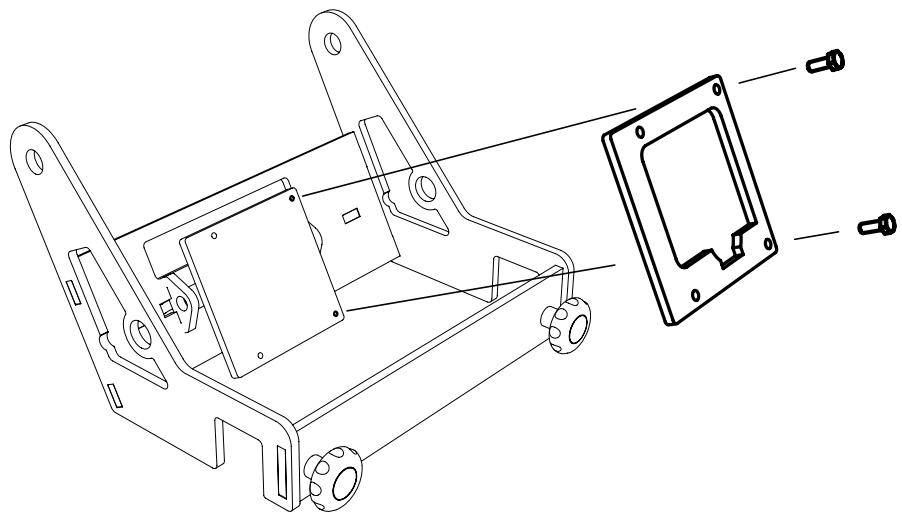
Fit the bottom mount to the lower bracket.  
Secure the axle with lock rings.



5

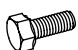
Fit the attachment frame to the  
bottom mount.

 - 2 x — Hex bolt M6x16

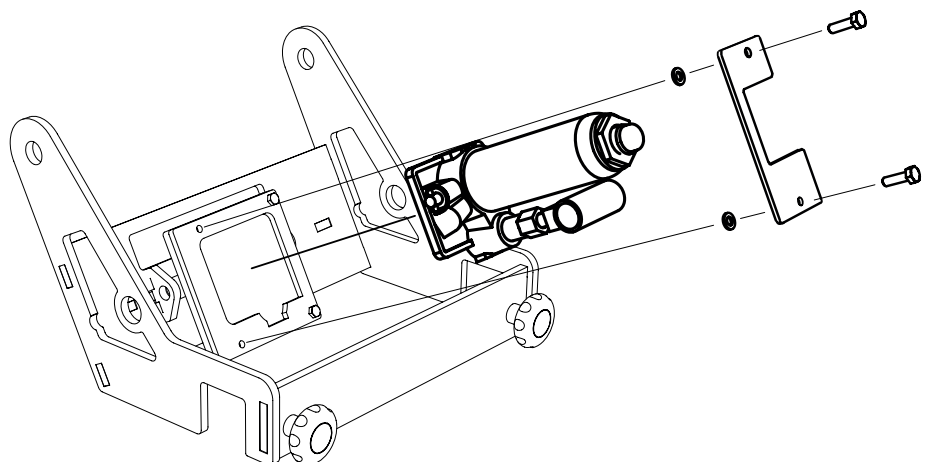


6

Install the jack and secure it with the  
lower lock plate. Note that you should  
use flat washers as spacers between the  
bottom mount and the lock plate.

 - 2 x — Hex bolt M6x20

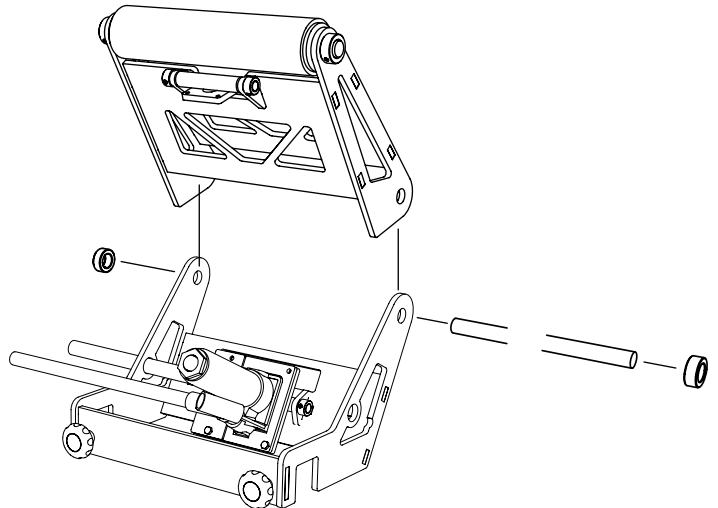
 - 2 x — Flat washer M6



# ASSEMBLY

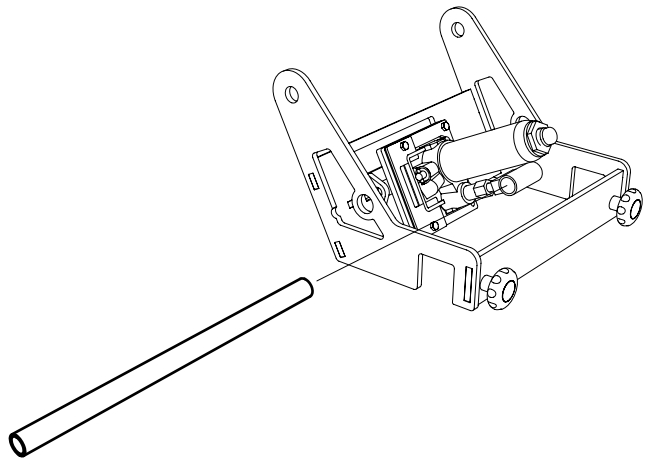
7

Fit the link arm to the lower bracket. Secure the axle with lock rings.



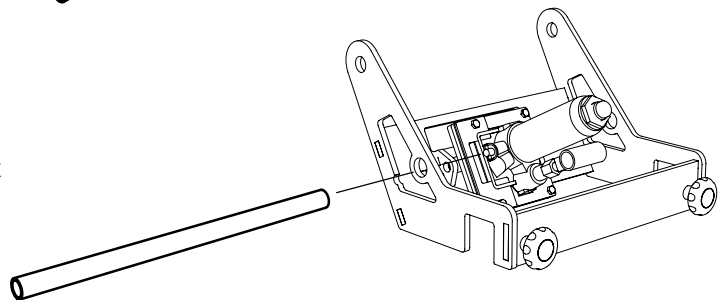
8

Insert the lever pipe in the jack.



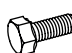
9

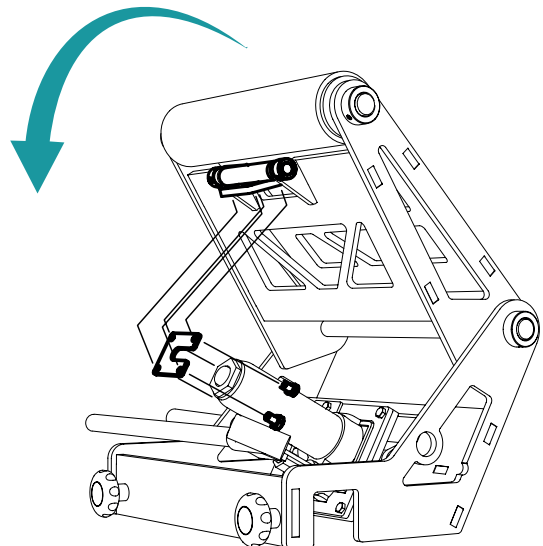
Insert the release bolt pipe in the jack, to enable it to be lowered.



10

Secure the jack to the top mount, using the lock plate.

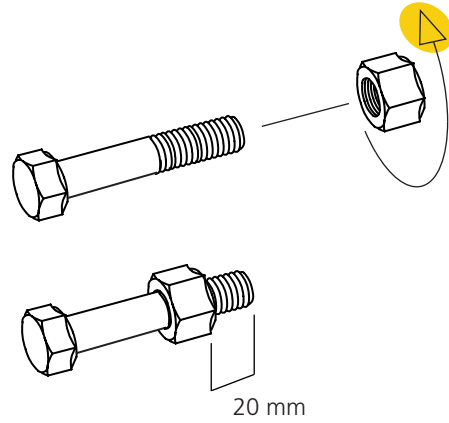
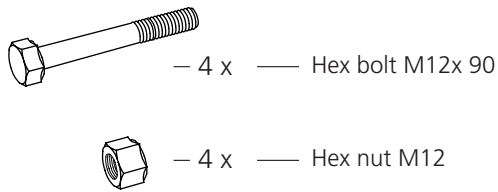
 — 4 x — Hex bolt M6x12



## ASSEMBLY

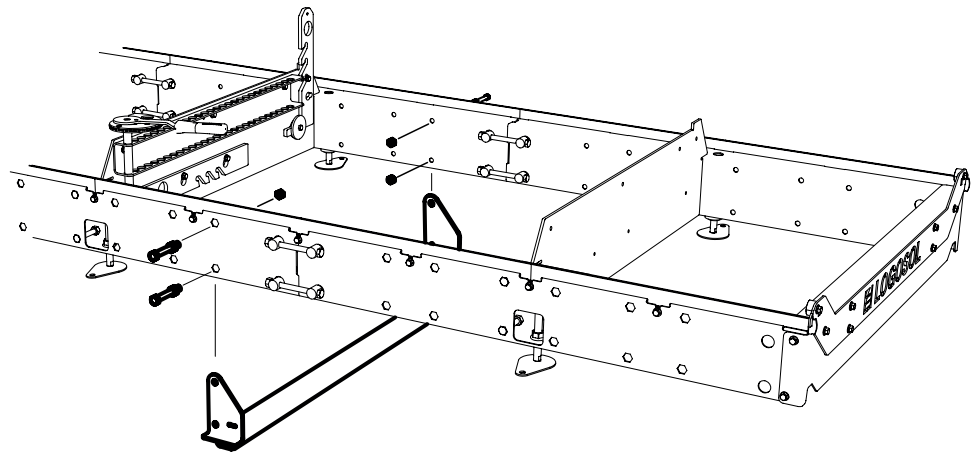
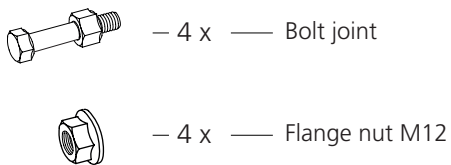
11

Prepare the bolt joints for the attachment of the toe board holder to the rails. Screw the nuts onto the bolts until 20 mm threading is visible.



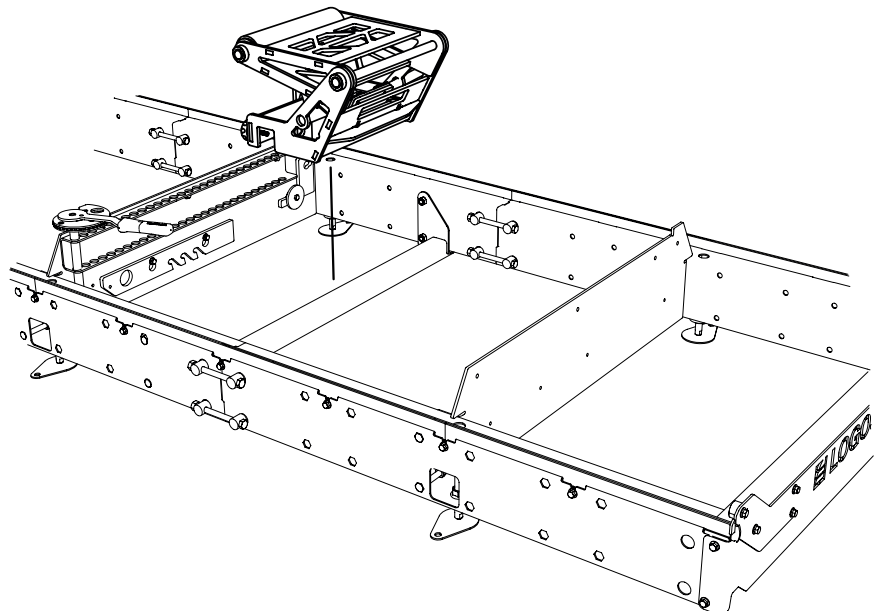
12

Fit the toe board holder to the rails. We recommend you to position it before the last cross bunk at the end of the rail frame.



13

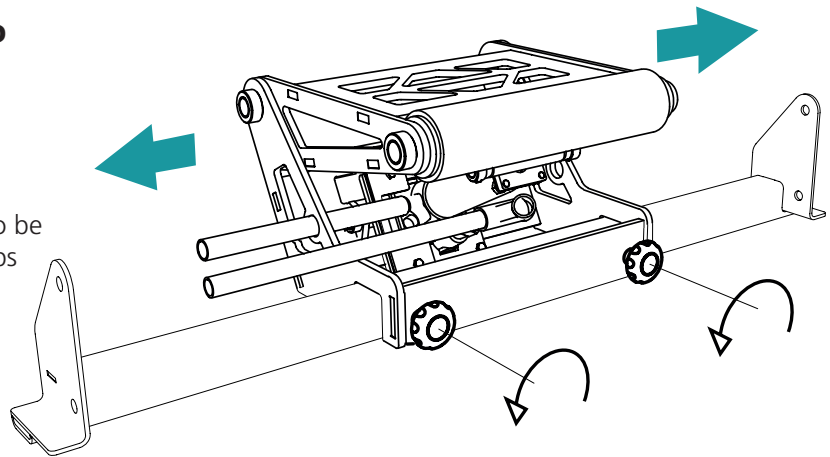
Install the toe board on the toe board holder. Secure the position of the toe board with the knobs.



# FUNCTIONS

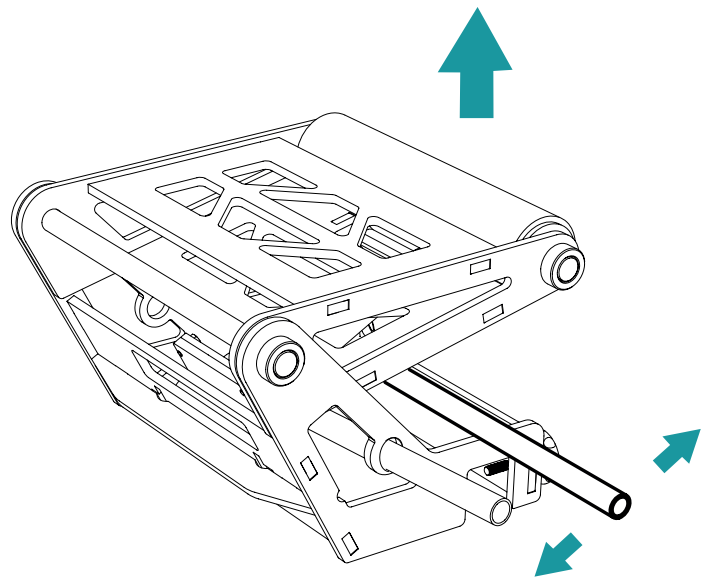
## THE POSITION OF THE TOE BOARD

The lateral position of the toe board is adjustable along the toe board holder. Always try to position the toe board so that it is centred under the log that is to be lifted. Lock the toe board with the knobs on its front.



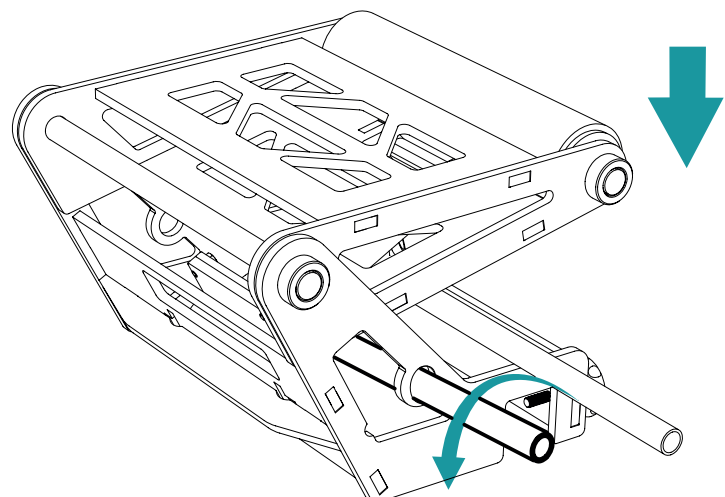
## RAISING THE TOE BOARD

The toe board is adjustable in height. Pump the jack lever to raise the toe board.



## LOWERING THE TOE BOARD

To lower the toe board, you turn the release bolt on the jack by using the release bolt pipe. Note that you have to retighten the release bolt to be able to raise the toe board again.





Fiskaregatan 2, 871 33 Härnösand, SWEDEN  
+46 611 182 85 | [info@logosol.com](mailto:info@logosol.com) | [www.logosol.com](http://www.logosol.com)