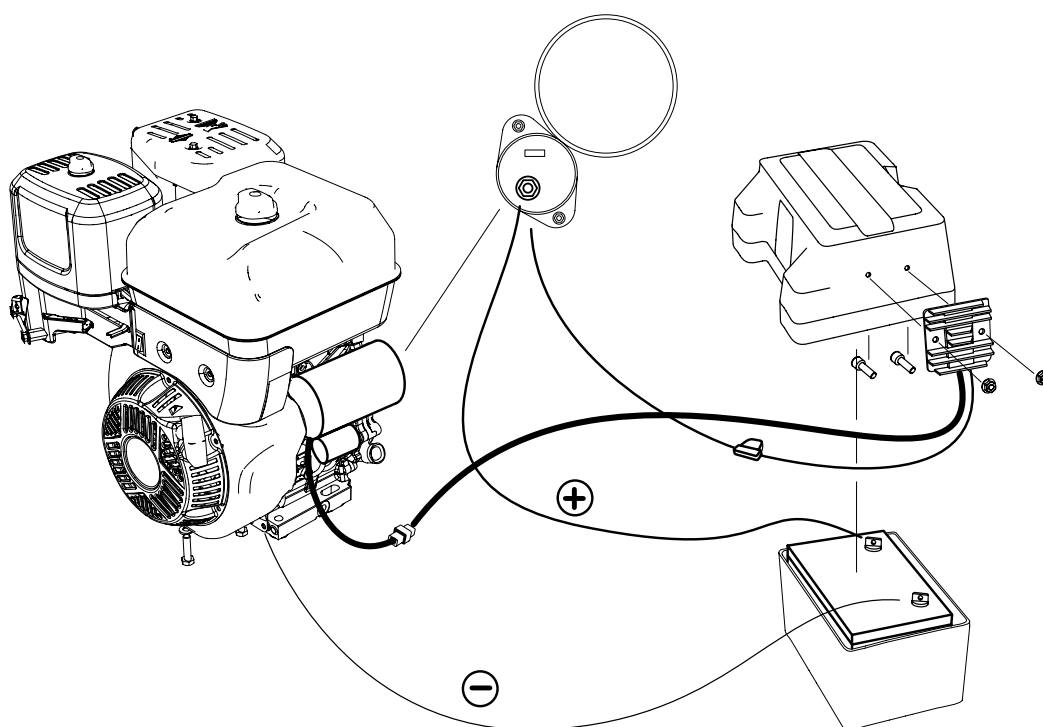


USER MANUAL

ORIGINAL USER MANUAL. REV: 1

Part no. 0458-395-5431



LONCIN 15HP



Read through the user manual carefully and make sure you understand its contents before using the saw.






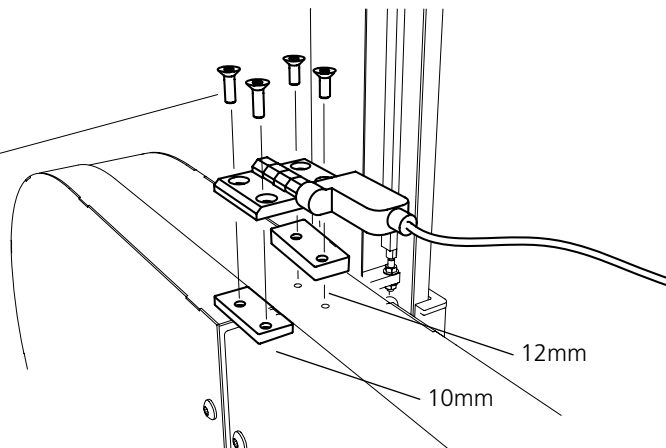
This user manual contains important safety instructions.





WARNING! Incorrect use can result in serious or fatal injuries to the operator or others.

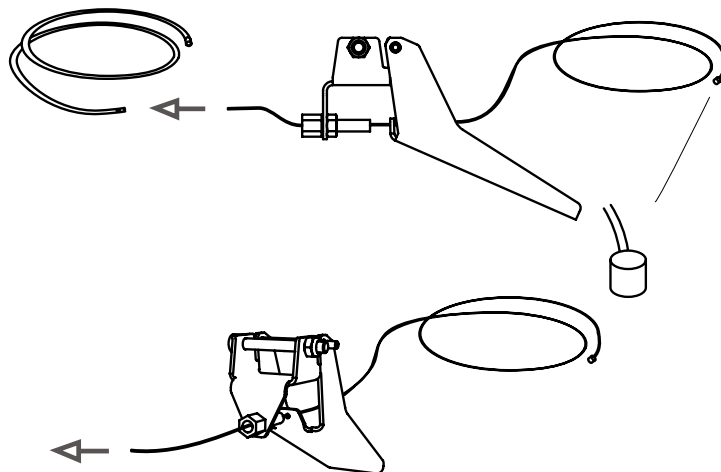
1

-  2 x – M6x25
-  2 x – M6x30
-  2 x




2

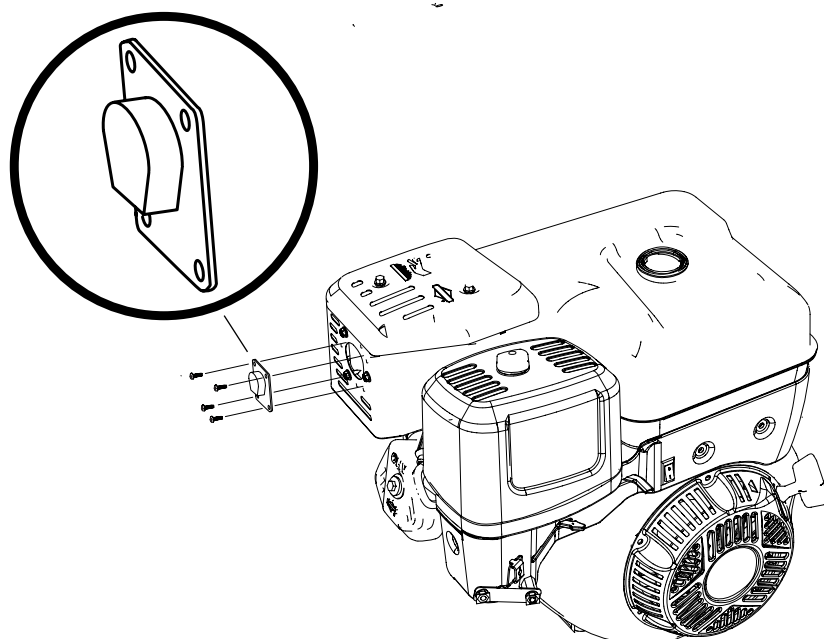
-  – 1st — Throttle wire
-  – 1st — Sheath



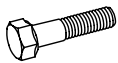


3

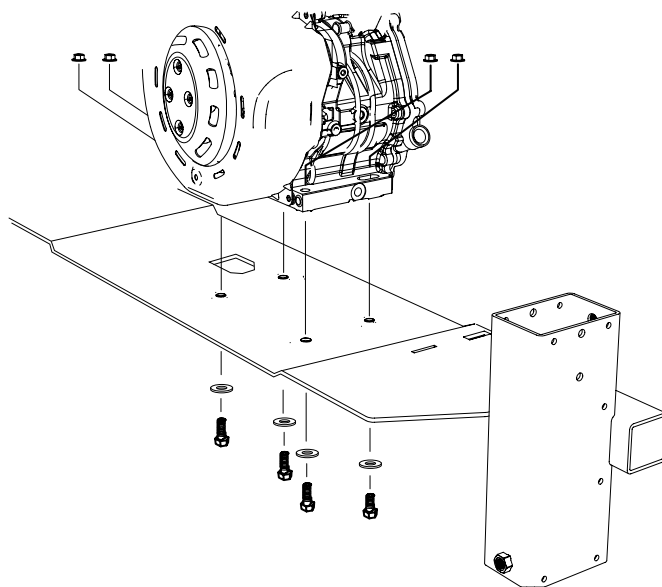
Mount the exhaust reflector on the exhaust pipe.

-  4 x – RXS 4,2x9,5

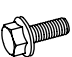





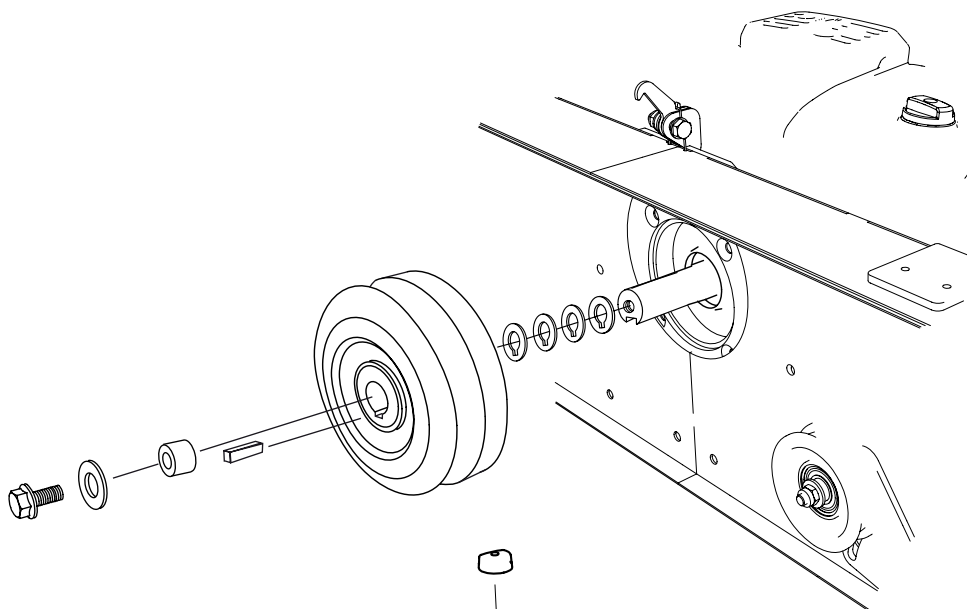
4

-  4 x – M10x40
-  4 x – M10
-  4 x – M10



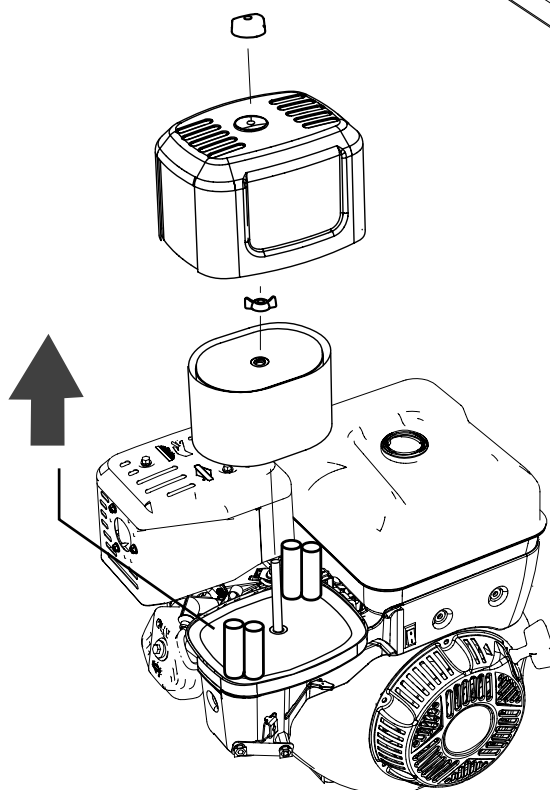
5

-  1 x
-  1 x – U6S 3/8-24 x2
-  1 x – SRKB 12,5x35x2
-  4 x
-  1 x – 03-02053



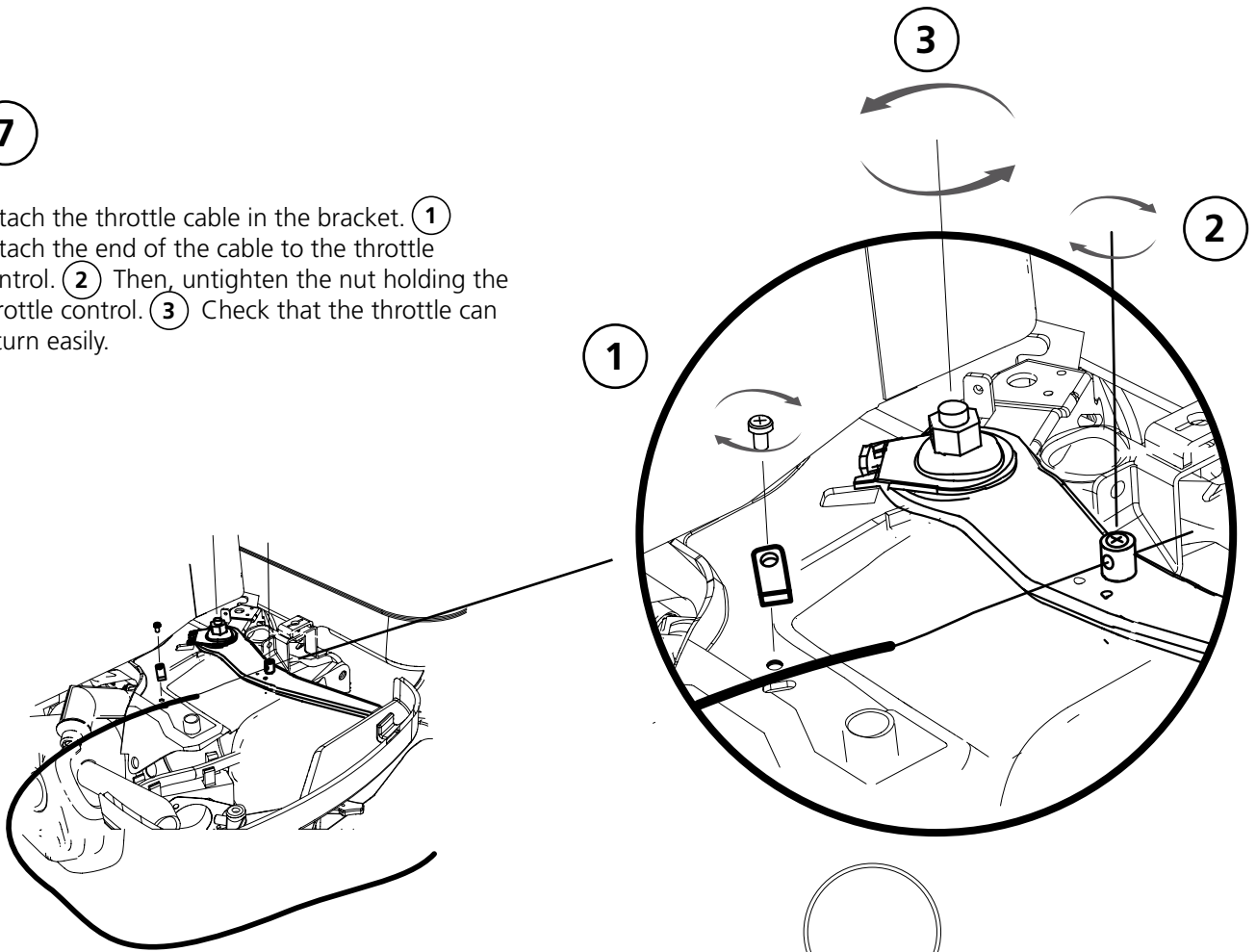
6

Throttle wire assembly: Start by removing the airbox filter and the lower part of the airbox.





7

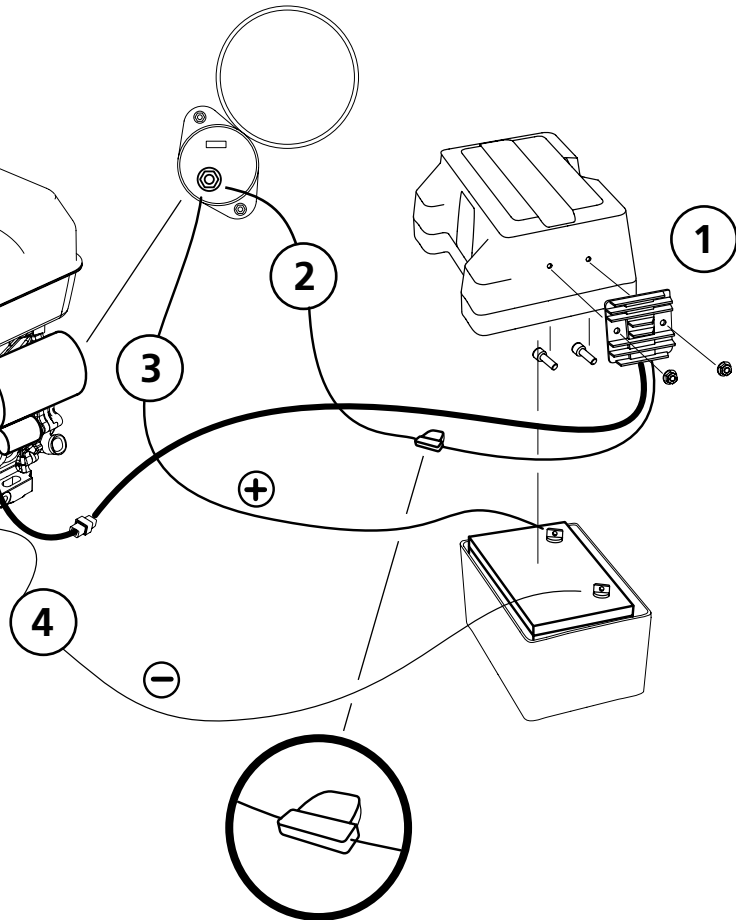
Attach the throttle cable in the bracket. ①
 Attach the end of the cable to the throttle control. ②
 Then, untighten the nut holding the throttle control. ③
 Check that the throttle can return easily. ③



8

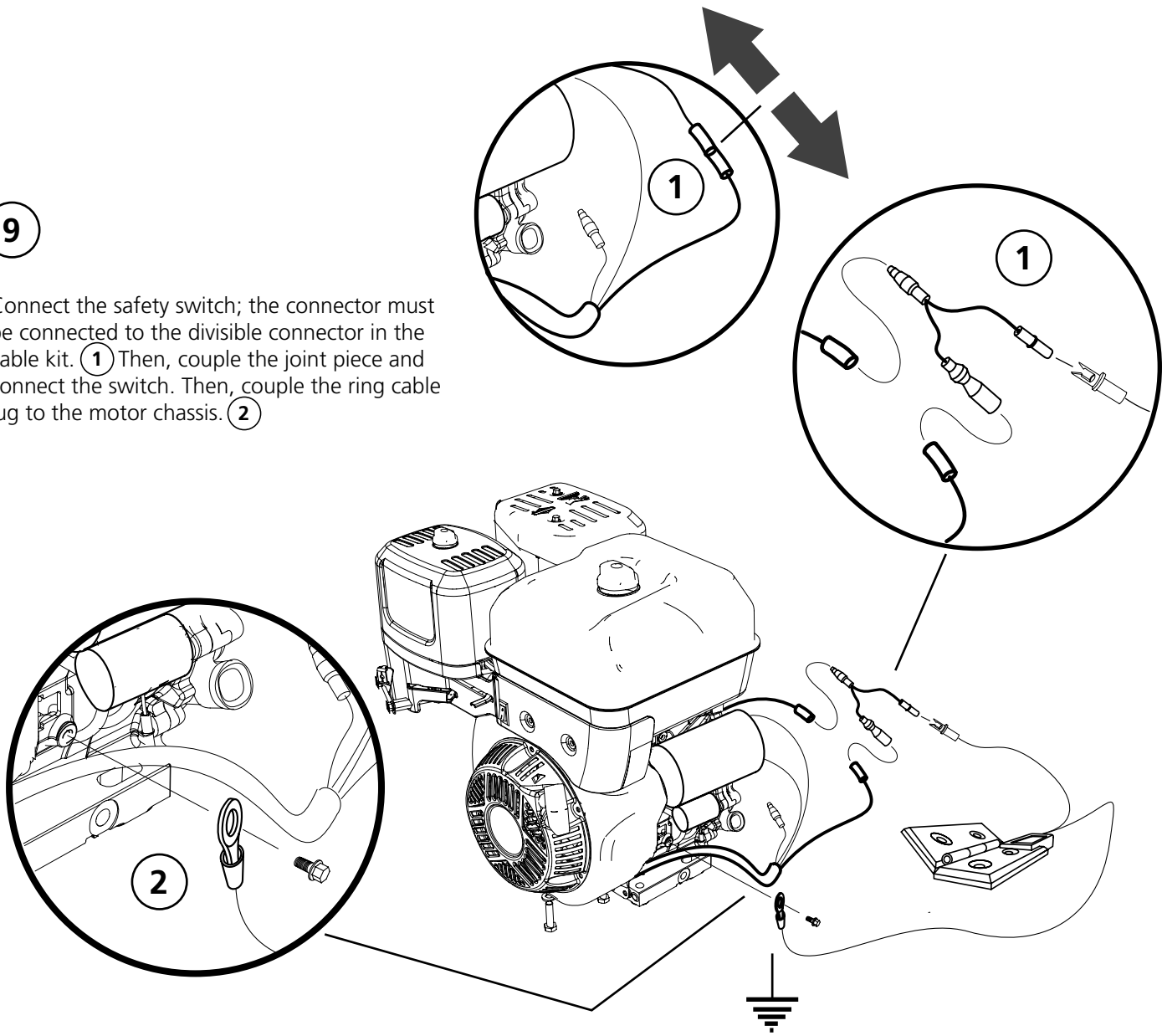
Mount the voltage regulator onto the battery box. ①
 Then, connect the red cable with the fuse holder to the solenoid. ②
 Then, connect the cable between the positive terminal of the battery and the solenoid. ③
 Then, complete the assembly by connecting the cable between the negative terminal of the battery and the engine chassis. ④

-  2 x - M6x25
-  2 x - M6



9

Connect the safety switch; the connector must be connected to the divisible connector in the cable kit. ① Then, couple the joint piece and connect the switch. Then, couple the ring cable lug to the motor chassis. ②



SAFETY SWITCH WIRING DIAGRAM

