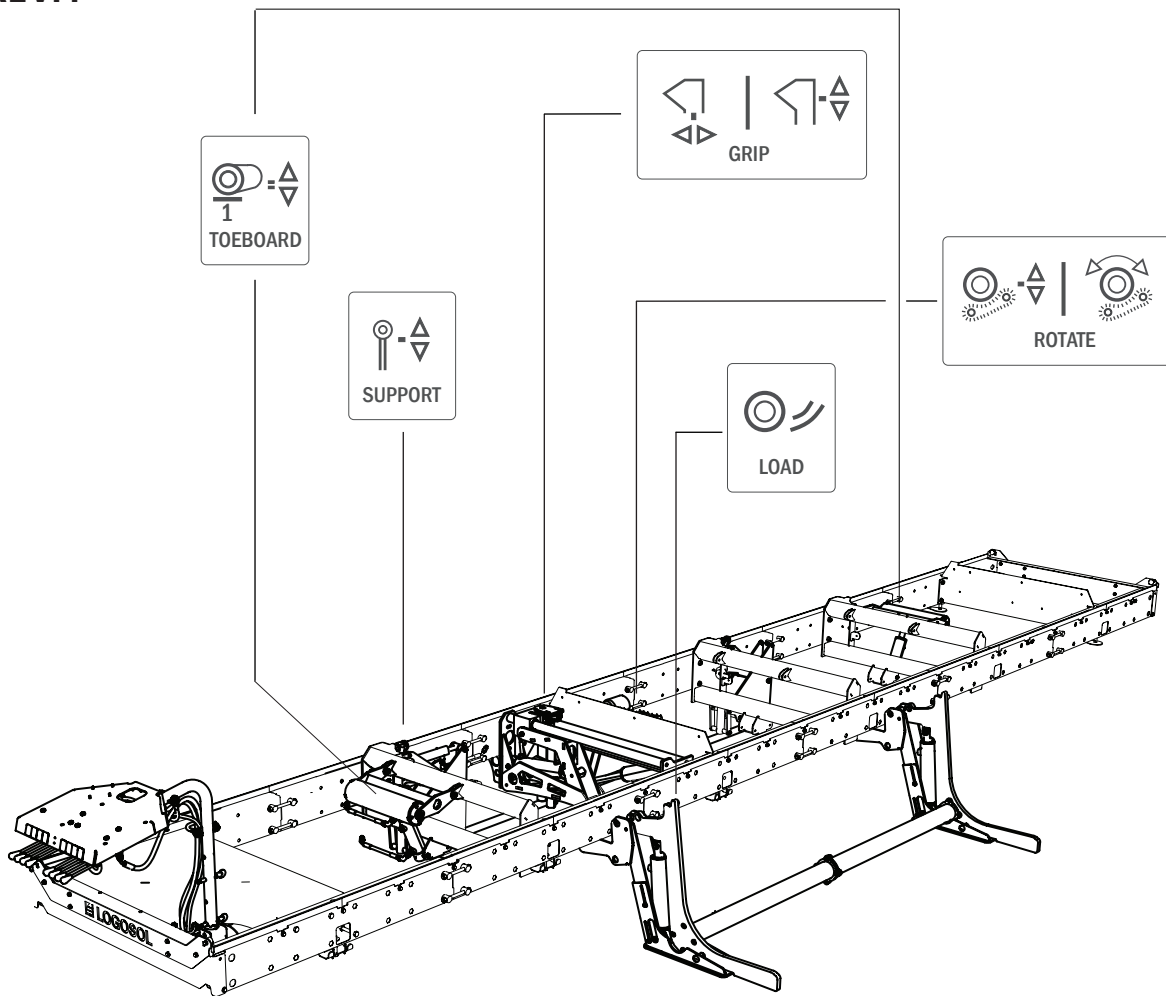


# USER MANUAL

Part no. 0458-395-0691

REV:1



# LOGOSOL

## B1001 HYDRAULIC

# THANKS FOR CHOOSING A LOGOSOL MACHINE!

We are very pleased that you have demonstrated your confidence in us by purchasing this machine and we will do our utmost to meet your expectations.

LOGOSOL has been manufacturing sawmills since 1989, and in that time we have supplied approximately 50,000 machines to satisfied customers the world over.

We are concerned with your safety and ensuring that you achieve the best possible results with your machine. We therefore recommend that you take the time to carefully read this user manual before using the machine. Remember that the machine itself is only a part of the value of the product. Much of the value is also to be found in the expertise we pass on to you in the user manual. It would be a pity if that was not utilised.

We hope you will be thoroughly satisfied with your new machine.

*Bengt-Olov Byström*

**Bengt-Olov Byström**

Founder and Chairman of the Board,  
Logosol in Härnösand



Read through the user manual carefully and make sure you understand its contents before using the saw.



This user manual contains important safety instructions.



**WARNING!** Incorrect use can result in serious or fatal injuries to the operator or others.

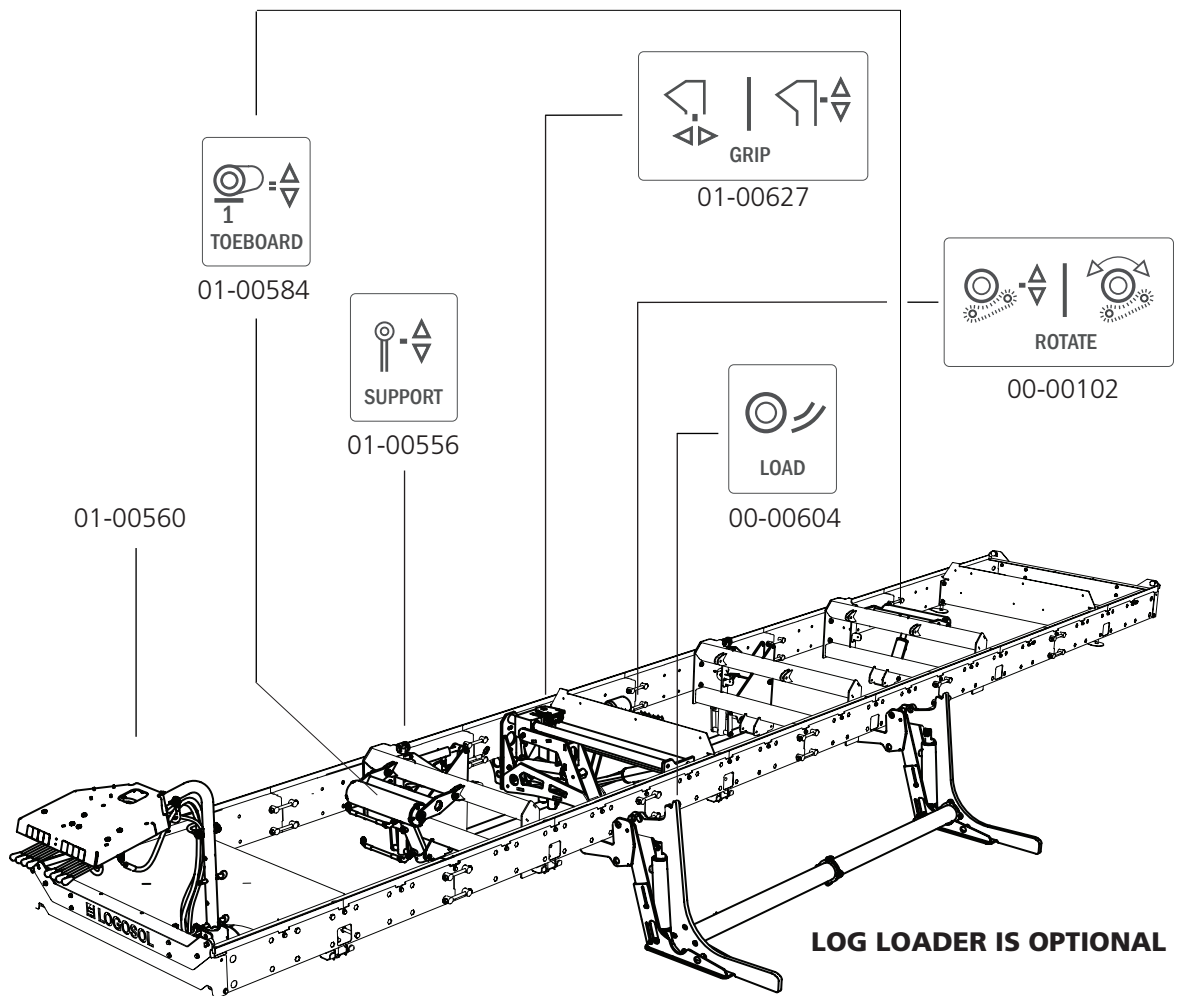
LOGOSOL continuously develops its products. For this reason, we must reserve the right to modify the configuration and design of our products.  
Document: LOGOSOL B1001 Hydraulic User Manual  
Manual, part no.: 458-395-0691  
Text: Martin Söderberg  
Illustration: Martin Söderberg  
Last revised: March 2022  
© 2022 LOGOSOL, Härnösand Sweden

# TABLE OF CONTENTS

Description of machine	4
Safety instructions	5
Maintenance	7
Technical data	9
Component parts:	10
<b>Assembly</b>	<b>18</b>
Connecting valve/hydraulic cylinders	37
Hydraulic hose	45
Adjustment	47
First start-up	48
Use	49
Transport	51
Exploded views	52
Hydraulic diagram	63
Troubleshooting	63
CE declaration	64

# DESCRIPTION OF THE MACHINE

## LOGOSOL B1001 HYDRAULIC





# SAFETY INSTRUCTIONS

- Read carefully through the entire manual before putting the machine into operation. Failure to observe these safety instructions may result in fatal injuries.
- Make sure that everyone who uses the machine is well informed of the dangers and has read the manual. The manual must be available at all times for those working with the machine.
- Minors under the age of 18 are not allowed to use the machine.
- Make sure that children and animals are not in the vicinity when the machine is being operated.
- Anyone working with the machine should be in good physical shape, healthy and well-rested. Take regular breaks. Do not work under the influence of alcohol, drugs or medicines that may cause drowsiness or inattentiveness.
- The machine should only be used where there is good visibility. Do not work in the dark or where visibility is poor.
- Make sure there are other people within earshot in case you need help.
- Use only LOGOSOL manufactured products or those expressly approved for the purpose when adding extra equipment. Other equipment may result in risk of accident and must not be used. Logosol will not accept liability for personal injury or material damage incurred while using non-approved attachments on the sawmill.
- Always wear personal protective equipment: Appropriate clothing is, for example, a tight-fitting work overall. Never work with loose clothing, jacket or similar.
- Wear steel cap shoes and deep tread sole for good grip. Do not wear a scarf, tie, jewellery or the like that can catch in the equipment.
- Wear heavy duty protective gloves. Risk of cuts when handling the equipment.

## KEY TO SYMBOLS



**WARNING!** This symbol means that you have to take particular care. It is always accompanied by information on the specific risk.



**ATTENTION.** A warning comes after this symbol. Pay particular attention where this symbol appears in the manual text.



For your own safety and that of others, do not use the bandsaw mill or handle bandsaw blades without first reading through and understanding the contents of this user manual in its entirety.



**WARNING!** Cutting knives: Careless use of the machine can result in potentially fatal injuries. Bandsaw blades are extremely sharp and dangerous.



Always wear protective gloves (class 1) when working with the bandsaw mill or handling bandsaw blades. Risk of sustaining cuts when handling bandsaw blades. Bandsaw blades and motor parts may be hot after sawing.



Always wear approved ear protectors when working with the machine. Even brief exposure to high frequency noise can damage your hearing. Always use close-fitting protective goggles when working with the machine or handling bandsaw blades. Under certain circumstances the use of a protective mask may also be advisable. This would primarily apply if you are sawing dry wood or sawing indoors.













Always wear approved protective footwear with saw protection, steel toe-caps and non-slip soles when working with the machine or handling bandsaw blades.



Always wear full-length protective trousers when working with the machine or handling bandsaw blades. Never wear loose-fitting clothing, scarves, necklaces, etc. that may fasten in the machine when working. Tie long hair back before working with the machine.


# SAFETY INSTRUCTIONS

## Safety distance

-  **Warning! Fire risk. Hydraulic oil is flammable, do not perform hot work in the vicinity of hydraulic components and equipment.**
-  **Warning! Do not exceed the maximum weights specified for the equipment. Overload can entail sudden breakdowns making the work area dangerous**
-  **Warning! Pinch risk. Do not remain within the work area when the hydraulic cylinders are loaded.**
-  **Warning! Cuts. Never handle pressurized hydraulic hoses, oil from a pressurized hose can penetrate the skin and cause serious injury.**
-  **Warning! Burn injuries. Allow the equipment to cool down before working with hydraulic units and hoses. The hydraulic oil can reach high temperatures during use.**
-  Handle hydraulic hoses and couplings carefully during assembly and maintenance work. Avoid sharp bends on hydraulic hoses. Sharp bends damage the hoses and increase the risk of breakdown.
-  Do not lift or handle hydraulic equipment connected to the hoses or couplings.
-  Always use hydraulic oil prescribed by Logosol when working with the equipment.
-  Always wipe up any spillage of hydraulic oil from the product and the working area. Residual hydraulic oil constitutes a slip hazard to users.
-  Always use absorbent cloths beneath the equipment when working with the machine.


## Before each shift:

Check hydraulic hoses, couplings and cables for visible damage.


-  **Warning! Do not exceed the maximum weights specified for the equipment. Overload can entail sudden breakdowns making the work area dangerous**

Always check that the specified amount of hydraulic oil is in the tank before starting the machine.

## During operation

-  **The sawmill is not to be in any other position than level when in operation. Risk of tipping!**

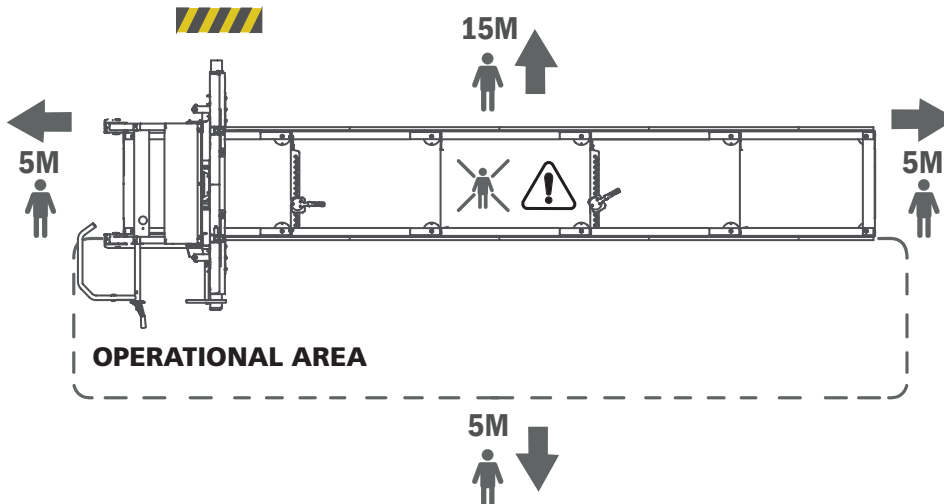
- Keep the worksite free of tools, pieces of wood, chips and other items you can trip on.

-  **In the event of problems of any kind, stop work immediately and turn off the machine until it has been resolved. Always keep this in mind. Most accidents involving dangerous machines occur when something malfunctions and the operator has to correct this during operation. A stop seldom shows up on the finished product.**

# SAFETY INSTRUCTIONS

## Safety distance:

Make sure that nobody is within the safety distance when working with the machine.



## MAINTENANCE

### MAINTENANCE

Periodic maintenance of the machine expected to be performed by the operator is described in this section. Be sure to follow the specified maintenance intervals, as this is the basis for good function of the machine.

**WARNING!** Risk of serious injury:

**!** Make sure that the machine is turned off before servicing and maintenance. Always wear work gloves (Class 1) when undertaking maintenance on the machine

**WARNING!** Cuts:

**!** Be careful when working with the machine as it has sharp edges.

**WARNING!** Fire risk:

### BEFORE WORKING ON THE MACHINE

Always unplug the power cable at the mains before starting service or adjustment. Check that the power cable, plugs and switches are in good condition and undamaged. Clean all parts of the machine with a brush and dry cloths. Store the machine in a dry, clean and non-corrosive environment, out of reach of children. Check that all screw joints are tightened.

**!** Do not smoke or perform any work (welding, grinding, etc.) on the machine that can generate ignition sparks in the vicinity of fuel or combustible materials.

**!** If you spill oil on the machine during refuelling, this should be wiped up immediately. If you get oil on your clothes, change them at once.

**!** Never run the engine if there is an oil leak. Always turn the engine off before refuelling.

# MAINTENANCE

## CLEANING THE MACHINE

Clean the bandsaw mill after each shift. Sweep away shavings and sawdust around the functions and on and around the rails.

## EVERY START-UP

### Check scraper rings:

Make sure that dirt and shavings do not accumulate on the scraper rings.

### Check for oil leaks:

Check all connections for oil leaks

### Check the oil level:

Check the oil level in the hydraulic tank before each shift. Follow the maintenance schedule in the engine instruction manual.

### Check safety features:

Before each shift, check the function of the following safety features:  
Make sure that the valve levers return when the handle is released.

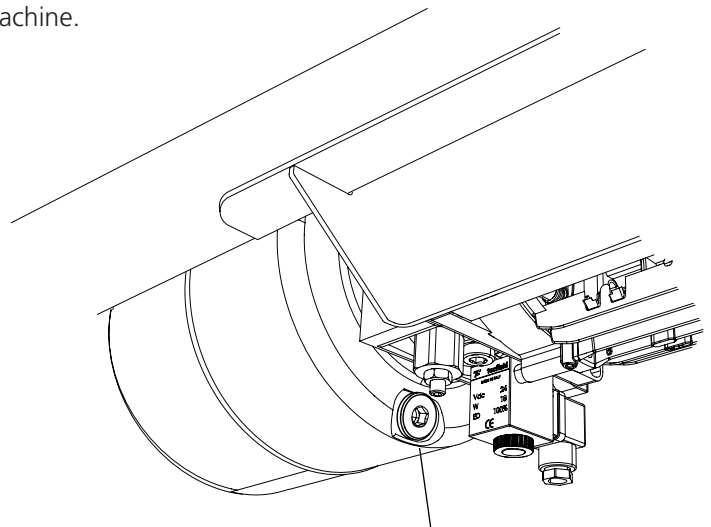
### Check screw joints:

Check that there are no loose screw joints on the machine.

## OIL CHANGE

Change the oil for the first time after about 30 hours of work. With normal operation, the second change is not needed until about 4-500 hours of work. Hydraulic oil: (ISO VG 32).

If a petrol unit is used, the hydraulic oil filter must be changed at 300 hours of use, see the hydraulic unit instruction.



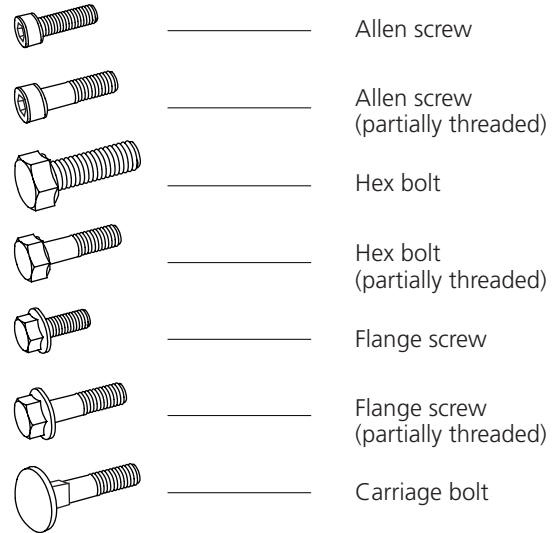
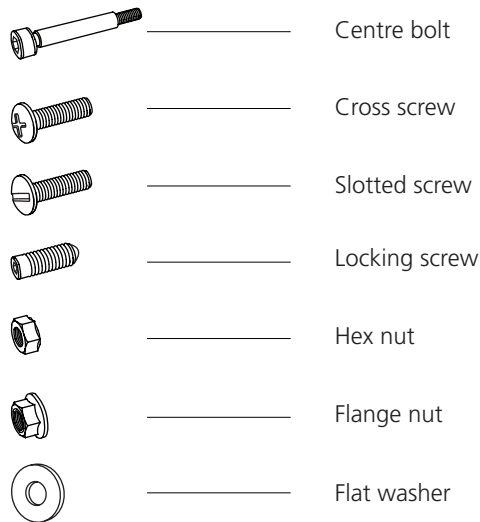
Position of the oil plug on the underside of the hydraulic unit.

# TECHNICAL DATA

LOGOSOL HYDRAULIC B1001/B751	
<b>01-00556 TOEBOARD</b>	
Stroke length toeboard	70mm
Diameter roller	100 mm
<b>01-00627 LOG CLAMP</b>	
Vertical stroke	300 mm
Minimum clamp width	20mm
Maximum clamp width	700 mm
<b>01-00584 LOG SUPPORT</b>	
Vertical stroke	305 mm
Cylinder	150mm
Quantity	2
Diameter of the support	40mm
<b>POWERPACK</b>	
Output	3 kW, 400 V CEE 16A / 6hp Kranman Ks791
Oil volume	4L / 5L
	There is approximately 10L of oil in the system with all functions connected

# SCREWS/NUTS

Definition of the fasteners.



## ADDITIONAL SYMBOLS

The following symbols are used in addition to those shown above to describe part design.



## DIMENSIONS/LENGTH

The dimensions of the fasteners are printed as a diameter dimension (M) ISO 68-1. This is followed by a length dimensions for bolts/screws; the dimension of a bolt/screw is the part of the bolt/screw that disappears into the material in which it is mounted.

**(Diameter)**      **(Length)**

M8      x      20



The symbol describes the sawing direction and reappears during assembly.



The symbol describes the recommended lifting point for heavy lifts.



When this symbol appears during assembly, parts must be lubricated before installation. Lubricate affected parts with universal grease.





















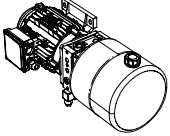

Make the joint finger-tight.

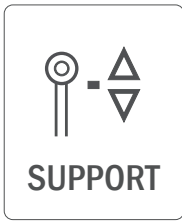


The symbol plus a number that refers to packages of hose and nipples.

# Delivery

The hydraulics are delivered in several different packages. The different functions are packed as shown in the illustration below. Arrange the component parts according to each function before starting the assembly.

	<b>01-00771-neu</b>		
	<b>99-00771-Box</b>	 <b>01-00771-skp</b> 01-00584-skp 01-00767-skp 01-00627-skp 00-00102-skp 01-00766-skp	 <b>01-00771-div</b> 01-00627-div 01-00584-div 01-00767-div
	<b>04-00539</b>		
	<b>04-00441</b>		
	<b>04-00442</b>		<b>04-00440</b>
	<b>04-00477</b>		<b>04-00478</b>
	<b>01-00766</b>		<b>01-00474</b>
	<b>00-00771-1001</b>		
	<b>Optional</b> <b>8310-001-0205</b>		
		<b>8310-302-0205</b> 01-00663-skp 01-00663-div	
	<b>01-00617</b> <b>Operator-arm</b>		
<b>Power:</b>			
	<b>01-00718</b>	<b>Petrol</b>	
	<b>01-00624-Neu</b>		
	<b>230v</b> <b>01-00702</b>		
	<b>400v</b> <b>01-00703</b>		
	<b>01-00770</b>		



**01-00771-neu**  
**01-00584**



**01-00584-skp**

- 2 x – M8x75
- 6x – M10x110
- 2x – M10x130
- 1x – M10x90
- 4 x – M8x16
- 12 x – M8x20
- 8 x – M10x50
- 4 x – M10x20
- 6 x – M12x25
- 2 x – M8
- 17 x – M10
- 12 x – M8
- 8 x – M8



**01-00584-div**

- 4x – 03-02814
- 3x – 03-02820 (61mm)
- 6x – 03-02822 (83mm)
- 4x – 03-02830
- 4x – 03-02834 (23,5mm)
- 4x – 03-02839
- 4x – 03-02842 (29,5mm)
- 2x – 03-02843 (100mm)
- 1x – 03-02971 (59,5mm)
- 2x – 03-03293
- 4x – (8,5x12x11)

- 02-00445 — 2 x
- 03-02815 — 2 x
- 03-02816 — 2 x
- 03-02838 — 2 x
- 04-00488
- 03-03036 — 2 x
- 03-03038 — 3 x



**04-00539**

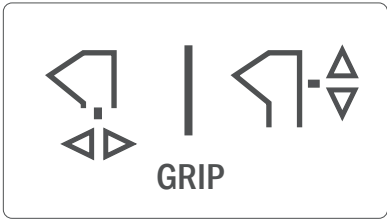
- 04-00538
- 04-00537
- 4x (1/4)
- 4 x (1/4- 1/4)
- 2x (1/4- 1/4)



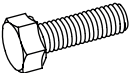
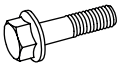
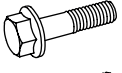
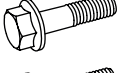
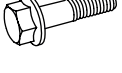






**99-00771-Box**

- 01-00769 — 2 x




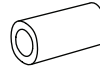







**01-00771-neu  
01-00627**

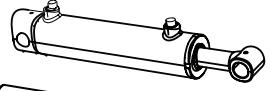
-  8 x - M12x100
-  1 x - M10x100
-  2 x - M10x110
-  2 x - M10x140
-  1 x - M16x100
-  5 x - M12x30
-  8 x - M12
-  1 x - M16
-  5 x - M10
-  10 x - M12
-  2 x - M8


**01-00627-skp**


-   2x - 03-02868 (105mm)
-   3x - 03-02878 (77mm)
-   2x - 03-02879 (35mm)

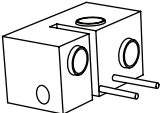
**01-00627-div**

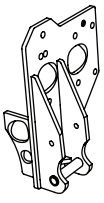

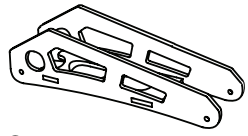
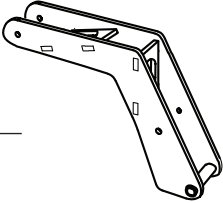

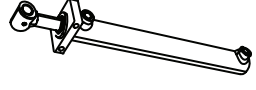
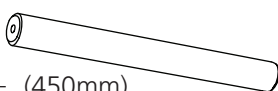
 **00-00771-1001**




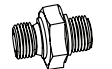
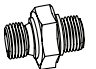



04-00365 






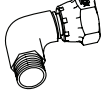
03-02730  2 x (933,5mm)

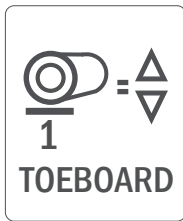
 **99-00771-Box**

01-00628 

- 02-00468 
- 03-02925 
- 02-00447 
- 02-00448 
- 02-00469 
- 02-00460 
- 03-02871  (450mm)

-  **04-00442**
-  1x 04-00535
-  1x 04-00536
-  2x (1/4- 3/8)
-  2x (1/4- 1/4)
-  2x (1/4)
-  2x (3/8)
-  2x (1/4- 1/4)

-  **04-00441**
-  1x 04-00532
-  1x 04-00531
-  4x (1/4- 1/4)
-  4x (1/4)
-  2x (1/4- 1/4)


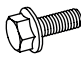
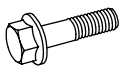
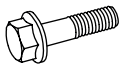




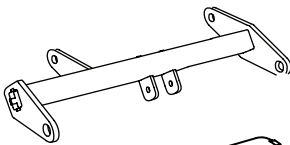
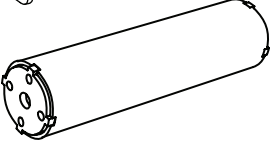
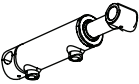
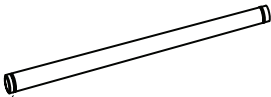
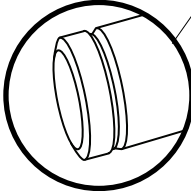
**01-00771-neu**

**01-00767**



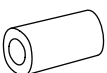
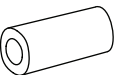

**01-00767-skp**

-  4 x - SGA20
-  4 x - M10x35
-  2 x - M10x70
-  2 x - M10x100
-  4 x - BRB20
-  8 x - M10

- 02-00483  2x
  - 02-00485  2x
  - 04-00428  2x
  - 03-03041  2x
- 



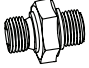
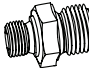


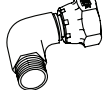


**01-00767-div**

-  2 x - 03-02898 (46,5mm)
-  2 x - 03-02878 (77mm)
-  4 x - 03-02926 (11,5mm)



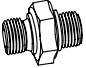
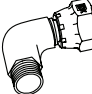


**04-00440**

-  1x 04-00534
-  1x 04-00533
-  4x (1/4- 1/4)
-  2x (1/4- 3/8)
-  4x (1/4)
-  2x (3/8)
-  2x (1/4- 1/4)



**04-00478**

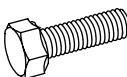

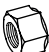
-  2x 04-00481
-  4x (1/4)
-  4 x (1/4- 1/4)
-  2x (1/4- 1/4)



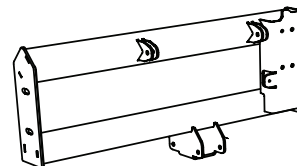
**01-00684 B-1001 (2x)**



**01-00684-skp**

-  4x - M12x90
-  4 x - M12
-  4 x - M12

02-00461





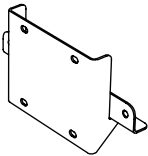
**01-00771-neu**  
**01-00560**



**01-00624-Neu**



**01-00624-skp**  
**SKP powerpack**



- 4 x - M10x25
  - 4 x - M10
  - 2x - M12x90
  - 4 x - M12
  - 4 x - M4
  - 4 x - M4
- 04-00439

- 2x 04-00530
- 2x (1/4- 1/4)
- 2x (1/4- 3/8)
- 2x (1/4)
- 2x (3/8)



**04-00439**



**01-00718**

03-03154

03-03181

04-00547



**01-00718-skp**

- 3x - M12x90
- 6 x - M12
- 1 x - M8x20
- 1 x - M8



**01-00617**

02-00465

02-00487

02-00449

03-02857

04-00521

2x



**01-00617-skp**  
**SKP operation arm**

- 2 x - M8x20
- 1x - M12x90
- 2 x - M12
- 4 x - M6x16
- 4 x - M6



**01-00766**

04-00420

2 x

03-03106

2x

**01-00766-skp**

- 6 x - M8x14
- 6 x - M12
- 2x - M12x90
- 2x - M12x25
- 10x - M10x80
- 10 x - M10



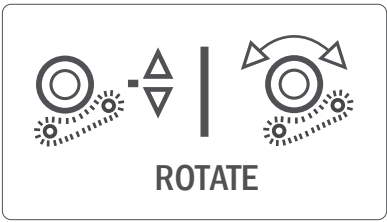
**01-00770**

02-00458



**01-00770-skp**

- 4 x - M12x90
- 8 x - M12
- 3 x - M6x12
- 3 x - M6



**01-00771-neu**  
**00-00102**

**00-00102-skp**

- 2 x - M12x30
- 2 x - M12
- 4 x - M10x70
- 7 x - M10
- 00-001634-skp** 1 x - M10x80
- 2 x - M10x110
- 4x - M12x100
- 00-00692-skp** 8 x - M12

02-00463

04-00436

04-00365

**00-00771-1001**

03-02896

01-00652

04-00435

**01-00102-div**

- 1 x - 03-02878 (77mm)
- 1 x - 03-02898 (46,5mm)
- 1x - 03-02894 (90,5mm)
- 1x - 04-00437
- 2x - 03-02893
- 1x - 04-00554
- 2x - 03-02895

**04-00477**

- 2x 04-00479
- 2x (1/2)
- 2x (1/4)
- 2x (1/4- 1/2)
- 2 x (1/4- 1/4)

**04-00474**

- 1x 04-00545
- 1x 04-00475
- 4 x (1/4- 1/4)
- 4x (1/4)
- 2x (1/4- 1/4)



LOAD

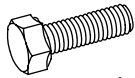
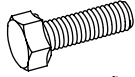
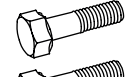
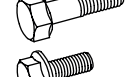
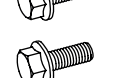
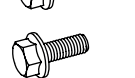
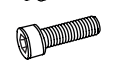
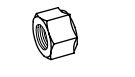

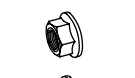
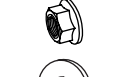
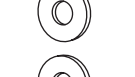


### 8310-001-0205



### 8310-302-0205

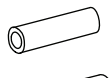
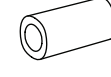
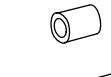



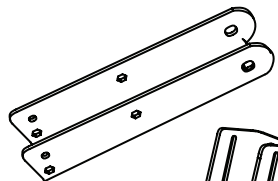
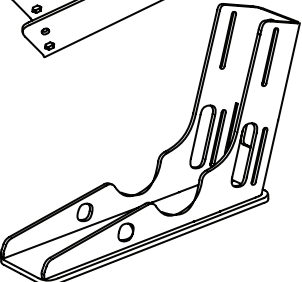
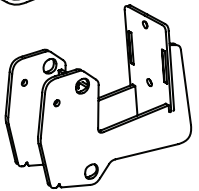
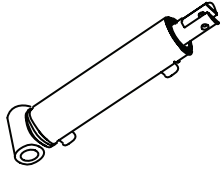
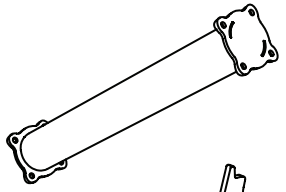
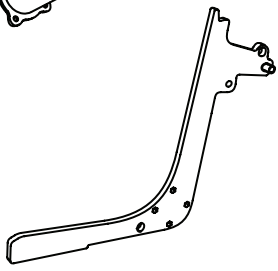
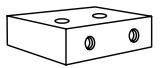
01-00663-skp

-  8 x – M10x20
-  4x – M12x90
-  2x – M12x110
-  2x – M12x130
-  4x – M10x25
-  8x – M10x30
-  2x – M12x55
-  4 x – M8x40
-  8 x – M12
-  20 x – M10
-  6 x – M12
-  4 x – M8
-  8 x – BRB10
-  4 x – BRB12





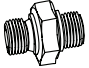


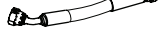
01-00663-div

-  2x – 03-03094 (97mm)
-  2x – 03-03105 (78mm)
-  2x – 03-03102 (21,8mm)
-  4x – 04-00553

- 03-02902 — 2 x 
- 02-00481 — 2 x 
- 02-00472 — 2 x 
- 04-00552 — 2 x 
- 02-00482 — 2 x 
- 02-00470 — 2 x 
- 03-03001 — 2 x 



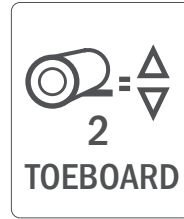
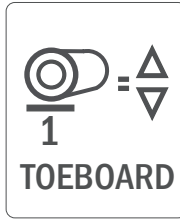
04-00468

-  2x 04-00592
-  16x (1/4)
-  16 x (1/4- 1/4)
-  4x 04-00470
-  2x 04-00471
-  2x 04-00472

# ASSEMBLY



**01-00767**



# POSITION

In order for all functions to fit on the rails, the position is important. We start from the joints on the rail pipes and then count the hole pattern from the relevant joints to find the correct position.

The assembly assumes that the saw rails have an extension. If a second extension is fitted, it shall be mounted on the far end of the rails.

The parts from packages are needed to start the assembly. **01-00767** We recommend laying out all fasteners on a tray or similar to make the task easier.



To be able to mount new functions in the rails, it is important to release existing log beds in order to facilitate installation of the new functions.



When this symbol appears during assembly, parts must be lubricated before installation. Lubricate affected parts with universal grease.



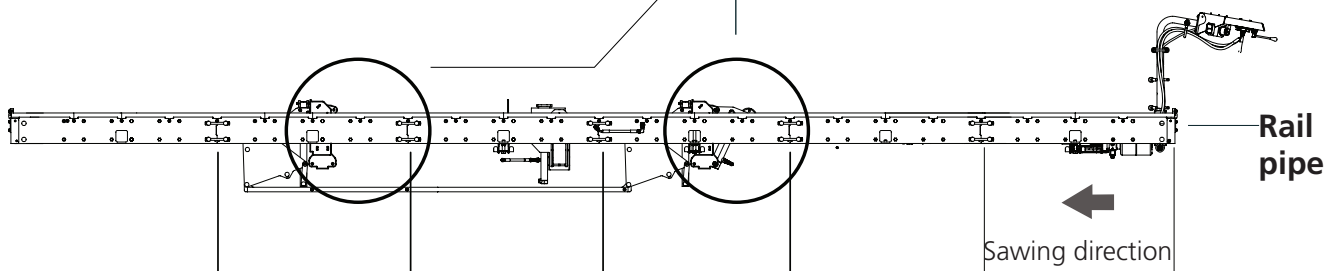
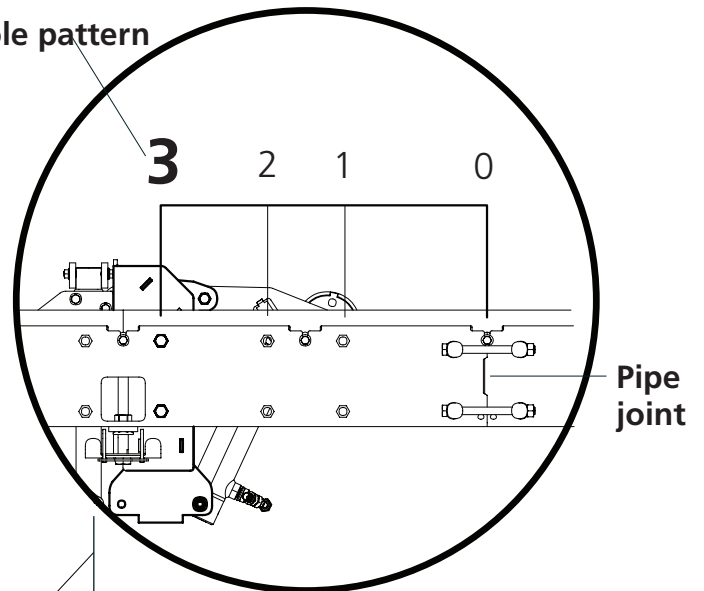
The symbol describes the sawing direction and reappears during assembly.

## Position 01-00767

The log beds are positioned on pipes number **3** and **5** viewed in the sawing direction. The beds are then placed on hole pattern 3 counted from the joint of the pipe in the sawing direction.

Count the hole patterns from the pipe joint, the log beds should be placed on the third hole pattern from the respective pipe joint

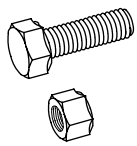
Hole pattern





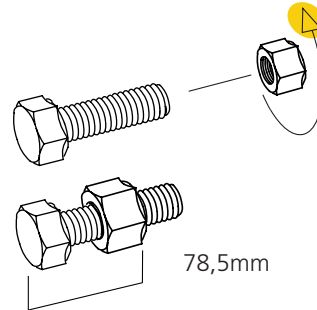
# 01-00767

1



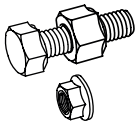
4 x - M12x100

4 x - M12



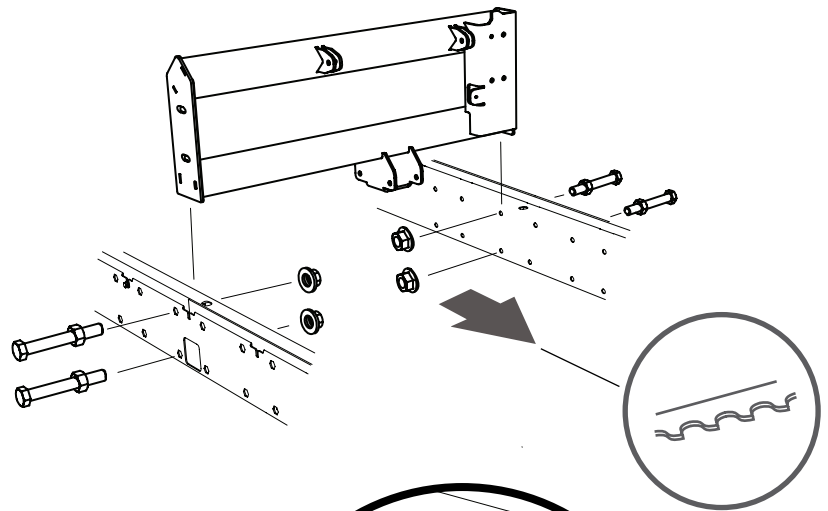
78,5mm

2

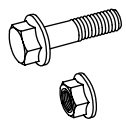


4 x - M12x100 + M12

4 x - M12

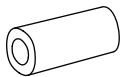


3

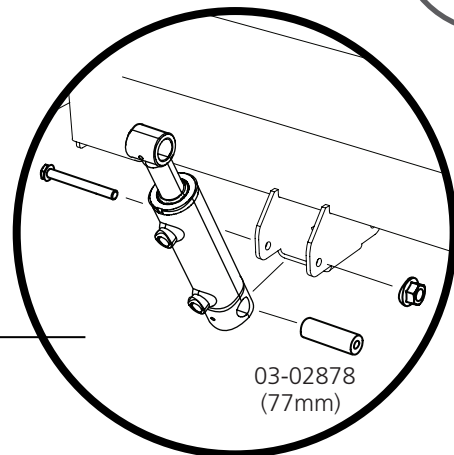


1 x - M10x100

1 x - M10



1 x - 03-02878 (77mm)



03-02878  
(77mm)

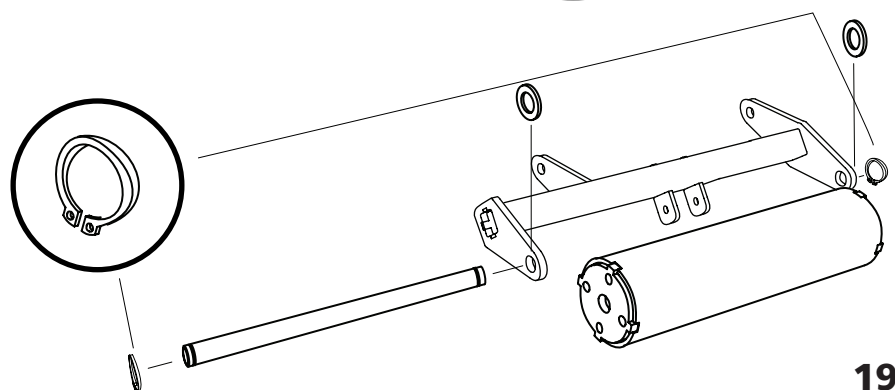
4



2 x - BRB20

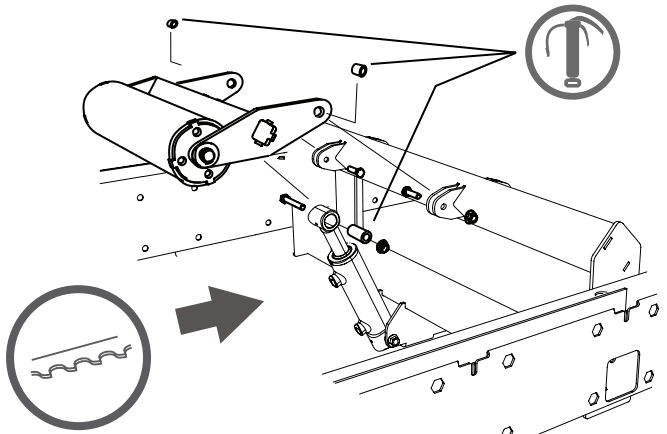
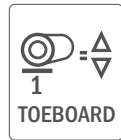


2 x - SGA20




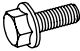
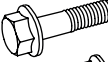

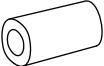


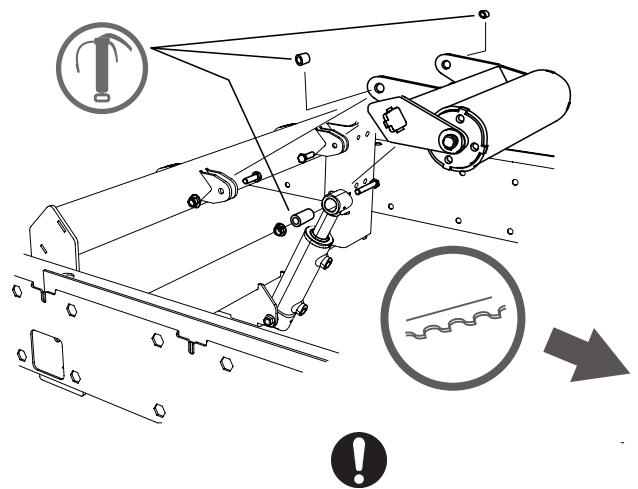
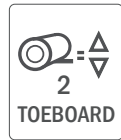
**01-00767**



**5**

Note that the two toeboards should be mounted on each side of their respective bed. Toeboard (1) shall be mounted closest to the operating position.

-  2x – 03-02926 (11,5mm)
-  2x – M10x35
-  1x – M10x70
-  3x – M10
-  1 x – 03-02898 (46,5mm)



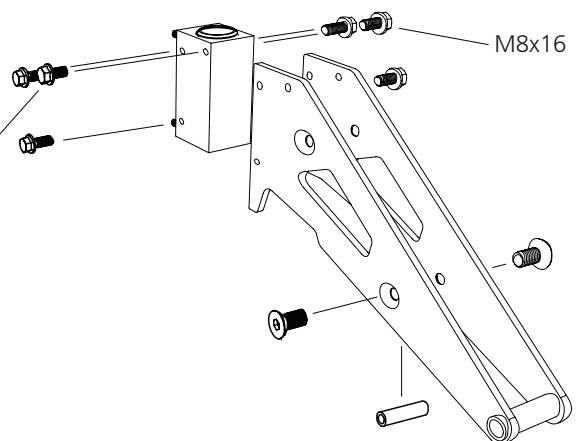
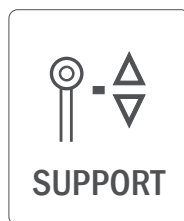
We recommend laying out all fasteners on a tray or similar to make the task easier.

To be able to mount new functions in the rails, it is important to release existing log beds in order to facilitate installation of the new functions.

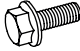
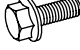


**! WARNING PINCH RISK!** In this section of the assembly there is a risk of injury through crushing, so be careful and wear work gloves.



**01-00584**



**1**

-  2 x – M8x16
-  4 x – M8x20
-  2 x – M12x25
-  03-02820 (61mm)

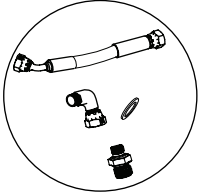
**20**



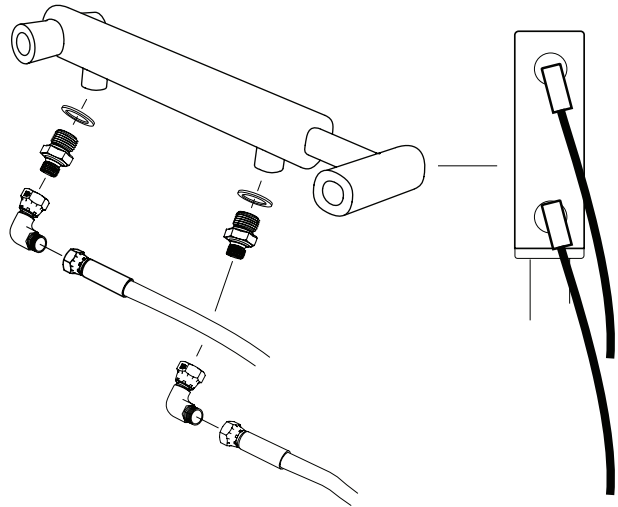


**01-00584**

**2**



04-00539



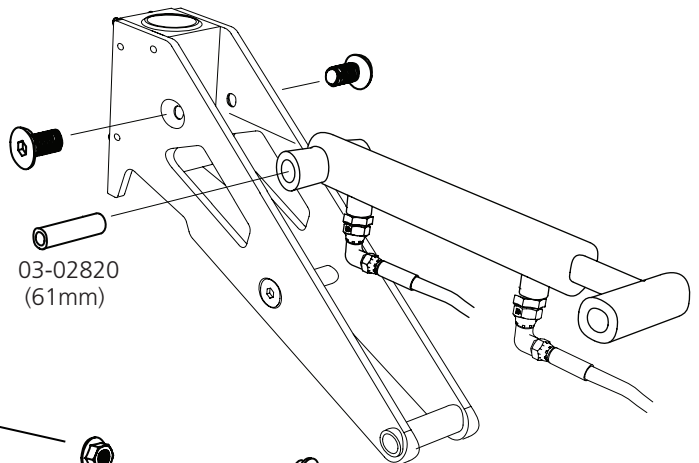
**3**



2 x - M12x25



1x - 03-02820 (61mm)



03-02820  
(61mm)

**4**



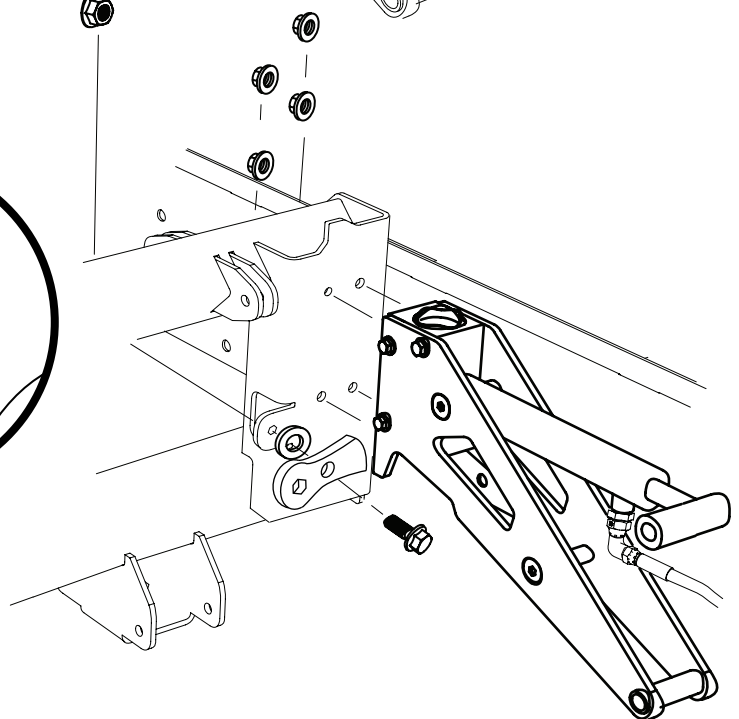
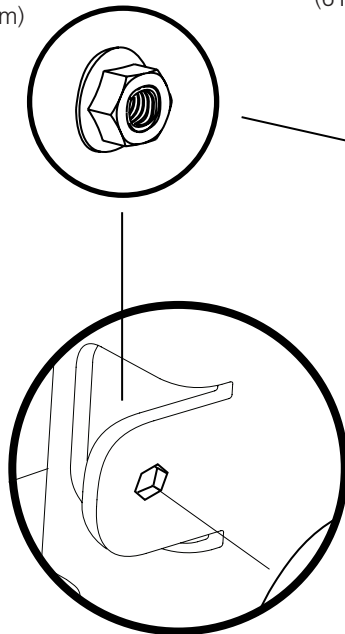
5 x - M8



1 x - M8

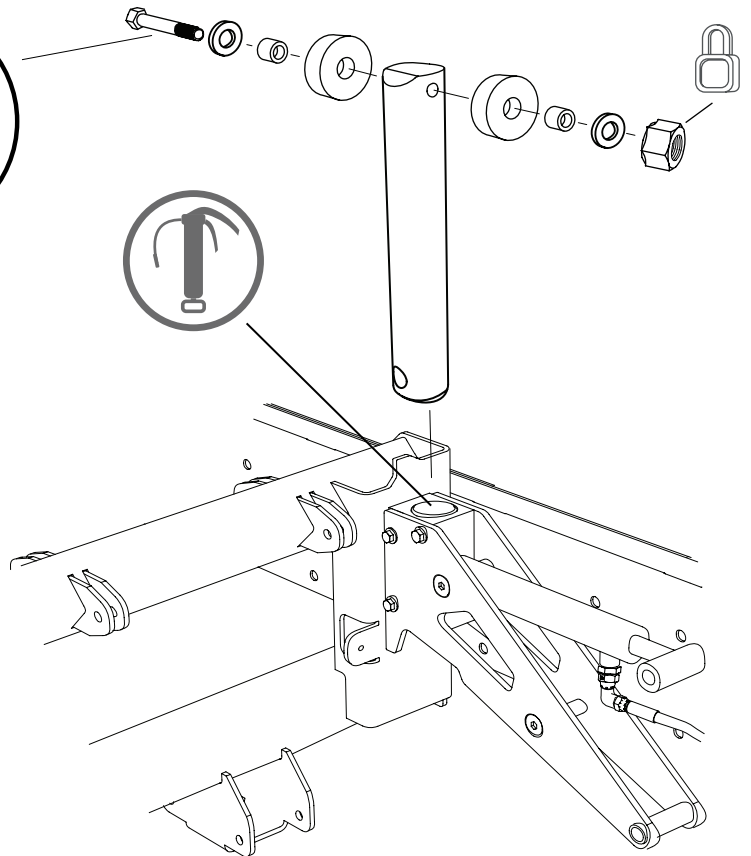
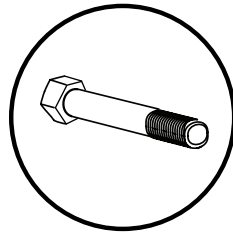


1 x - M8x20

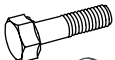




**01-00584**



**5**



1 x - M8x75



1 x - M8



2 x - M8

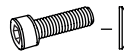


2x - DR-01467



2x - 03-02839

**6**



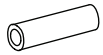
2 x - M10x20



1 x - M10x110



1 x - M10



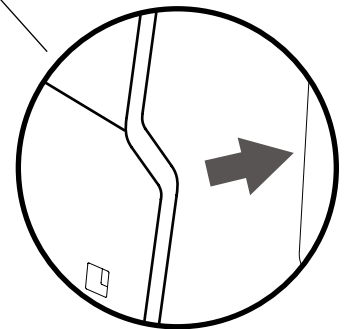
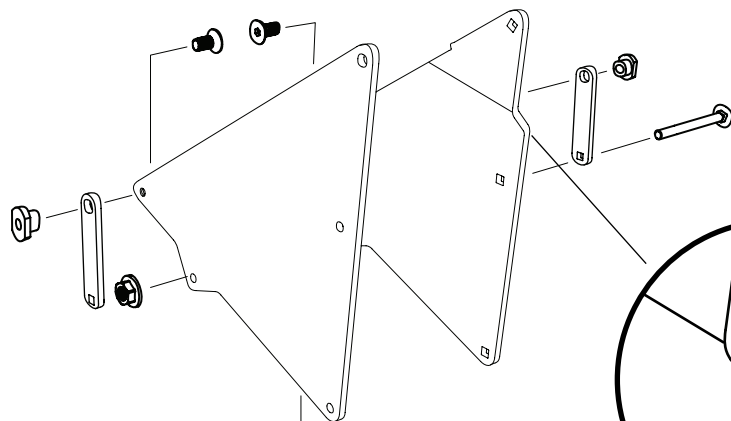
1x - 03-02822 (83mm)



2x - 03-02830



2x - 03-02814



**7**



1 x - M10x90



1 x - M10x110



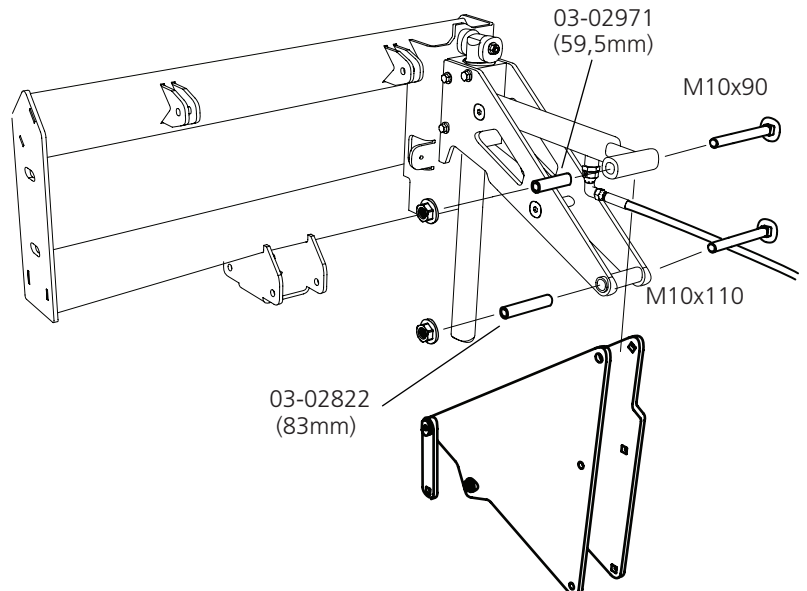
2 x - M10



1x - 03-02971 (59,5mm)

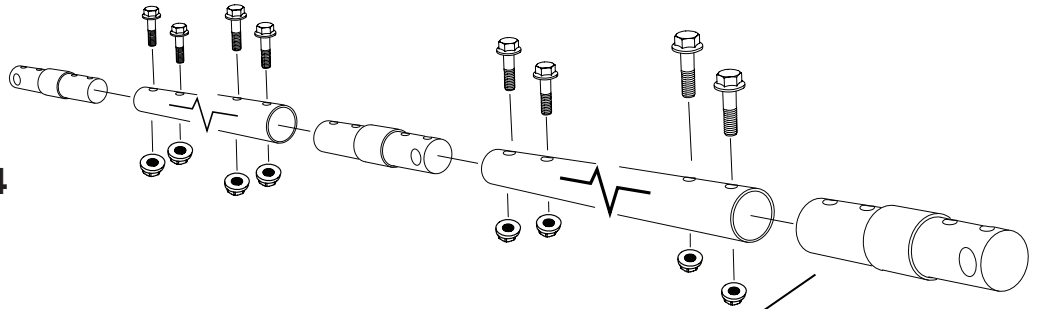


1x - 03-02822 (83mm)

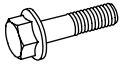




**01-00584**



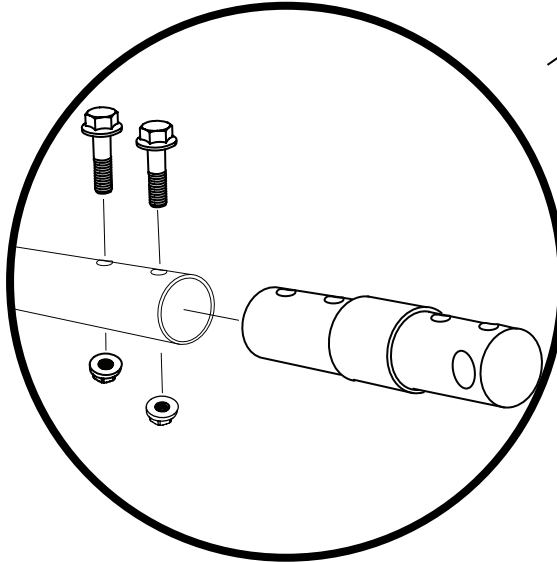
**8**



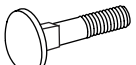
8 x - M10x50



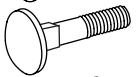
8 x - M10



**9**



1 x - M10x130



1 x - M10x110



2 x - M10



1 x - 03-02843 (100mm)



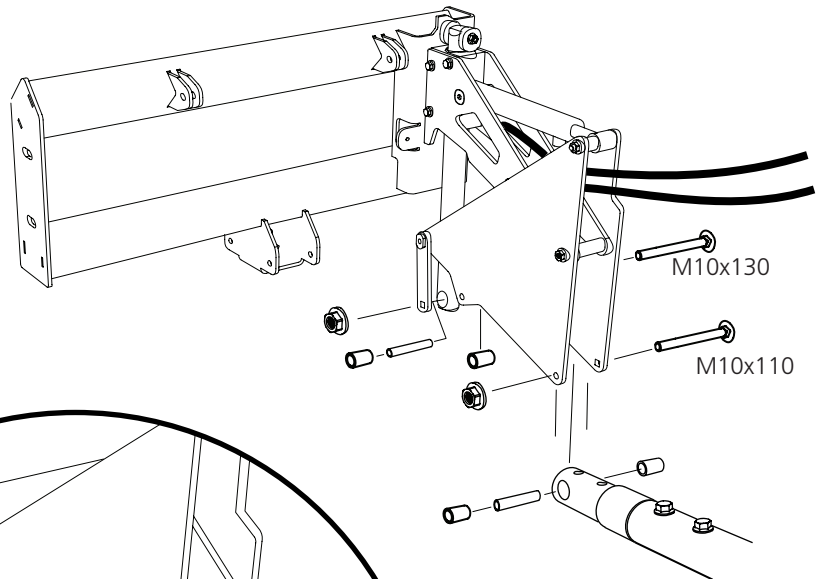
2 x - 03-02834 (23,5mm)



2 x - 03-02842 (29,5mm)



1 x - 03-02822 (83)mm



M10x130

M10x110



03-02842  
(29,5mm)

03-02843  
(100mm)

03-02834  
(23,5mm)

03-02822  
(83)mm

M10x130

M10x110



**01-00627**

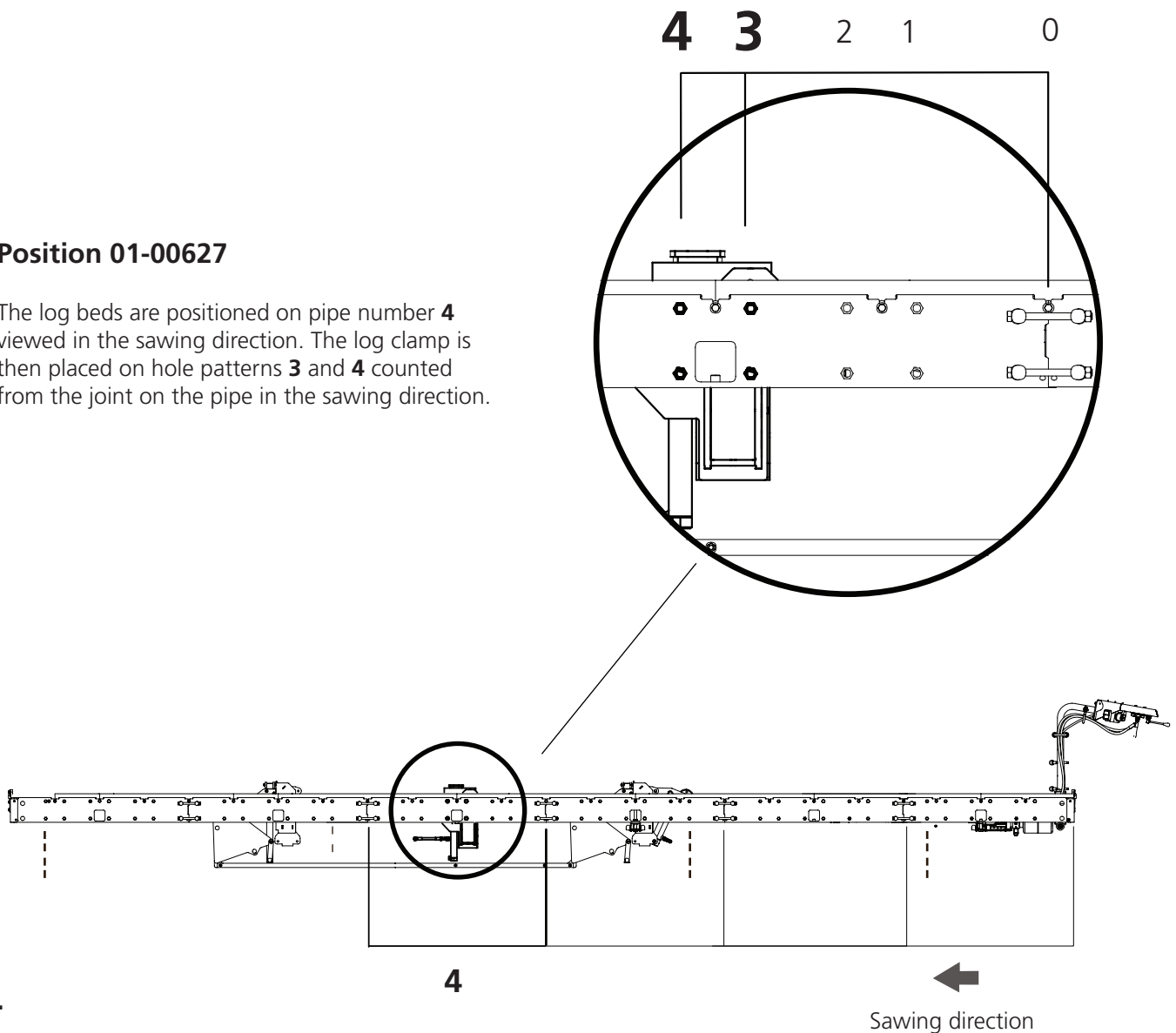


We recommend laying out all fasteners on a tray or similar to make the task easier.

To be able to mount new functions in the rails, it is important to release existing log beds in order to facilitate installation of the new functions.

### Position 01-00627

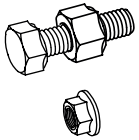
The log beds are positioned on pipe number **4** viewed in the sawing direction. The log clamp is then placed on hole patterns **3** and **4** counted from the joint on the pipe in the sawing direction.





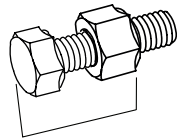
**01-00627**

**03-01976**

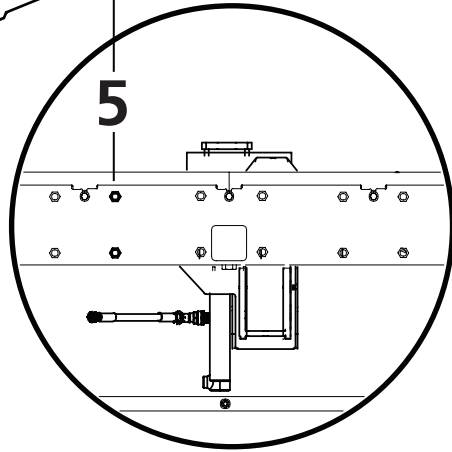


4 x - M12x100 +M12

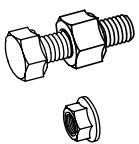
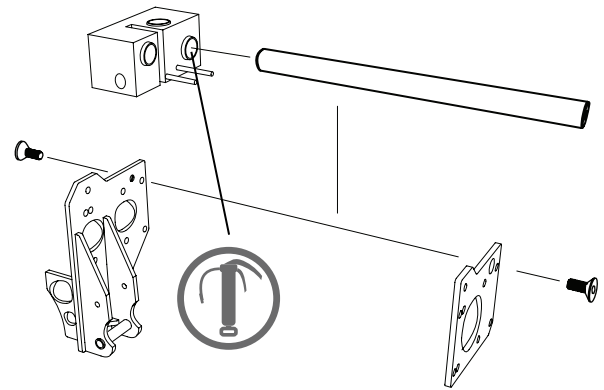
4 x - M12



78,5mm

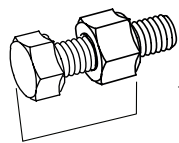


2 x - M12x30

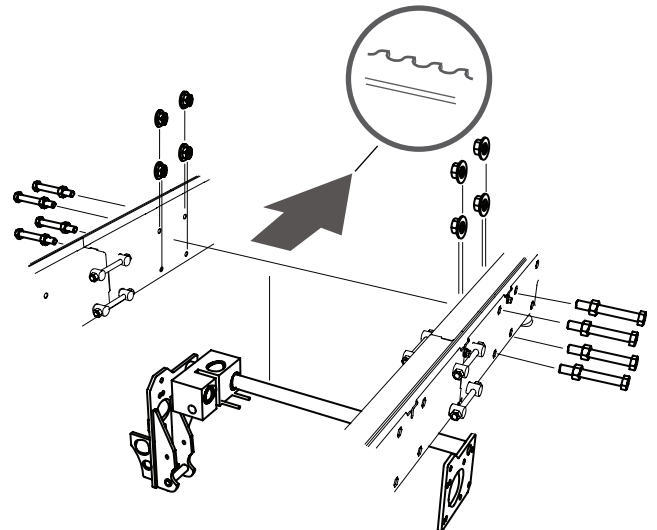


8 x - M12x100 +M12

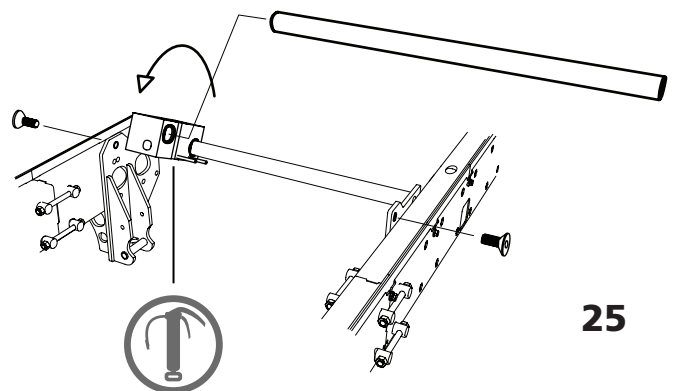
8 x - M12



78,5mm



2 x - M12x30

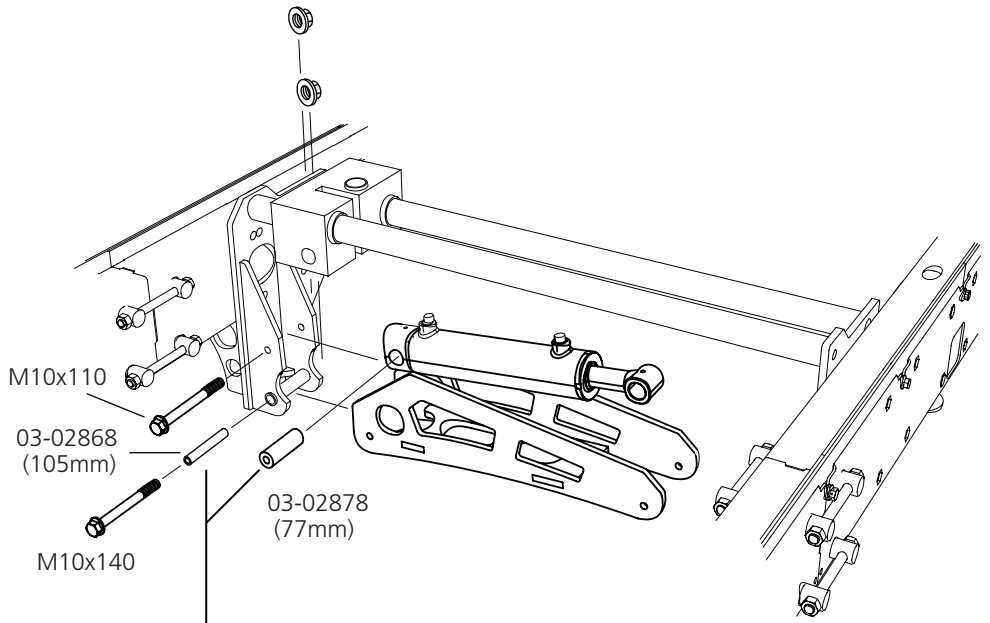




# 01-00627

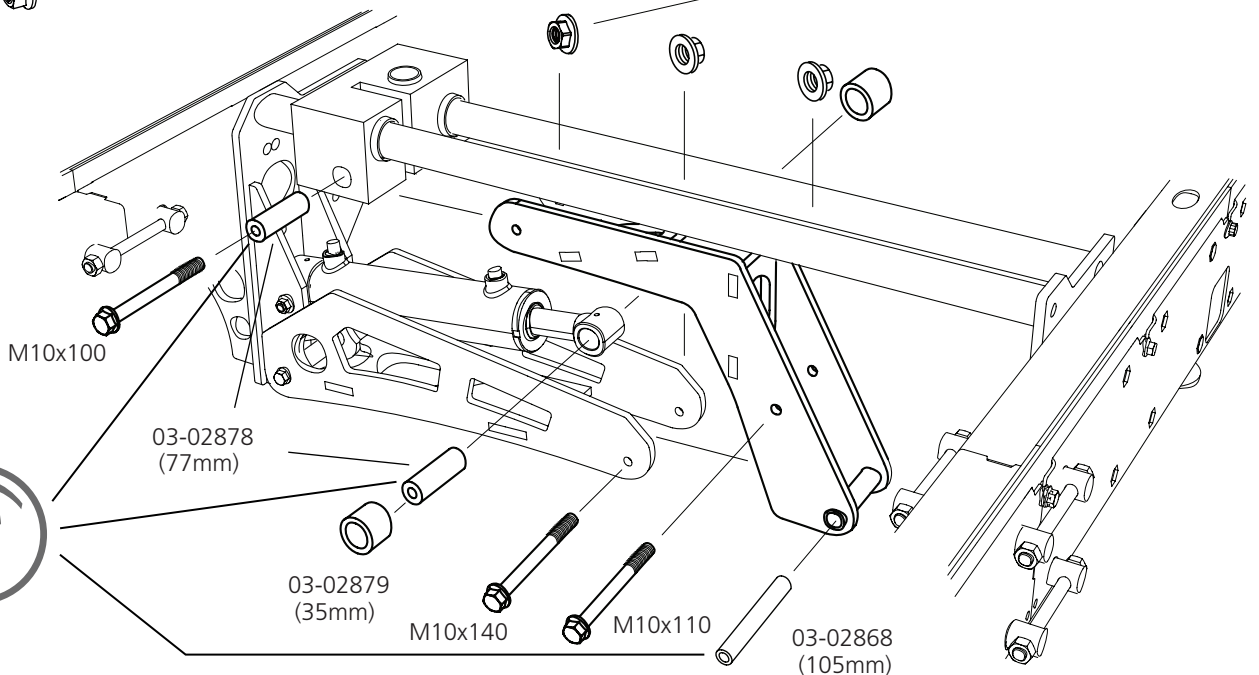
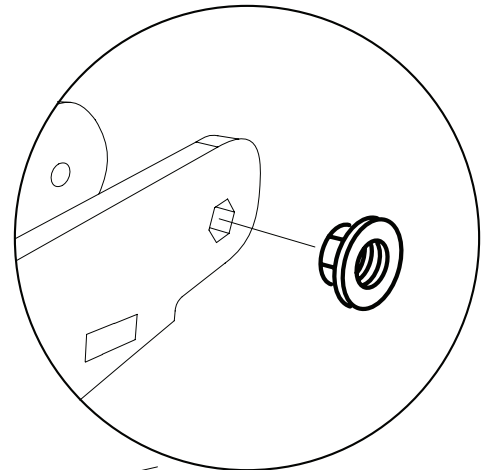
## 4

- 1 x - M10x110
- 1 x - M10x140
- 2 x - M10
- 1 x - 03-02868 (105mm)
- 1 x - 03-02878 (77mm)



## 5

- 1 x - M10x100
- 1 x - M10x110
- 1 x - M10x140
- 3 x - M10
- 2x - 03-02878 (77mm)
- 2x - 03-02879 (35mm)
- 1x - 03-02868 (105mm)



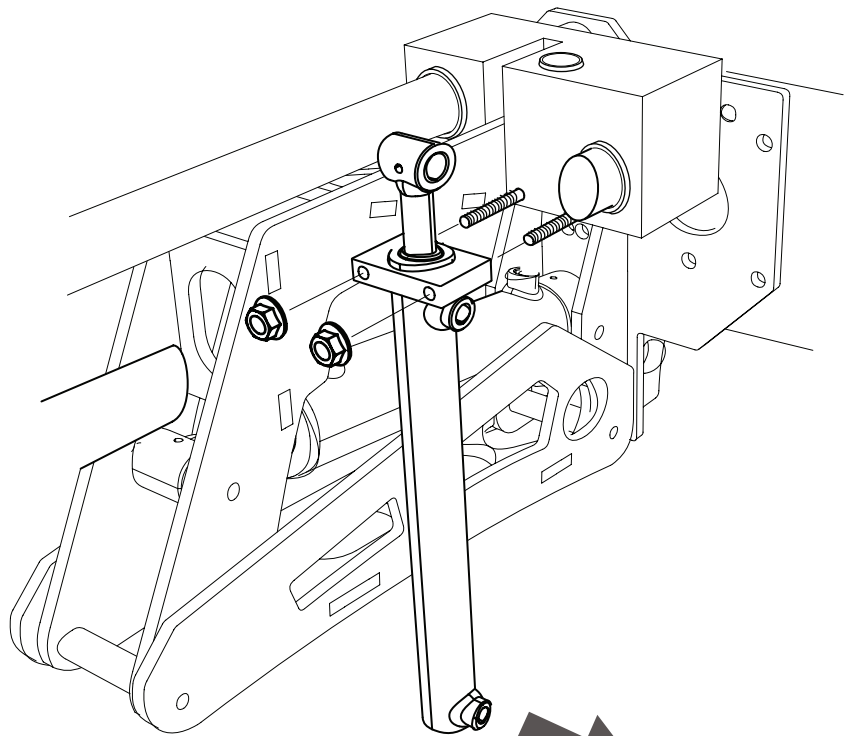


**01-00627**

**6**



2 x - M8

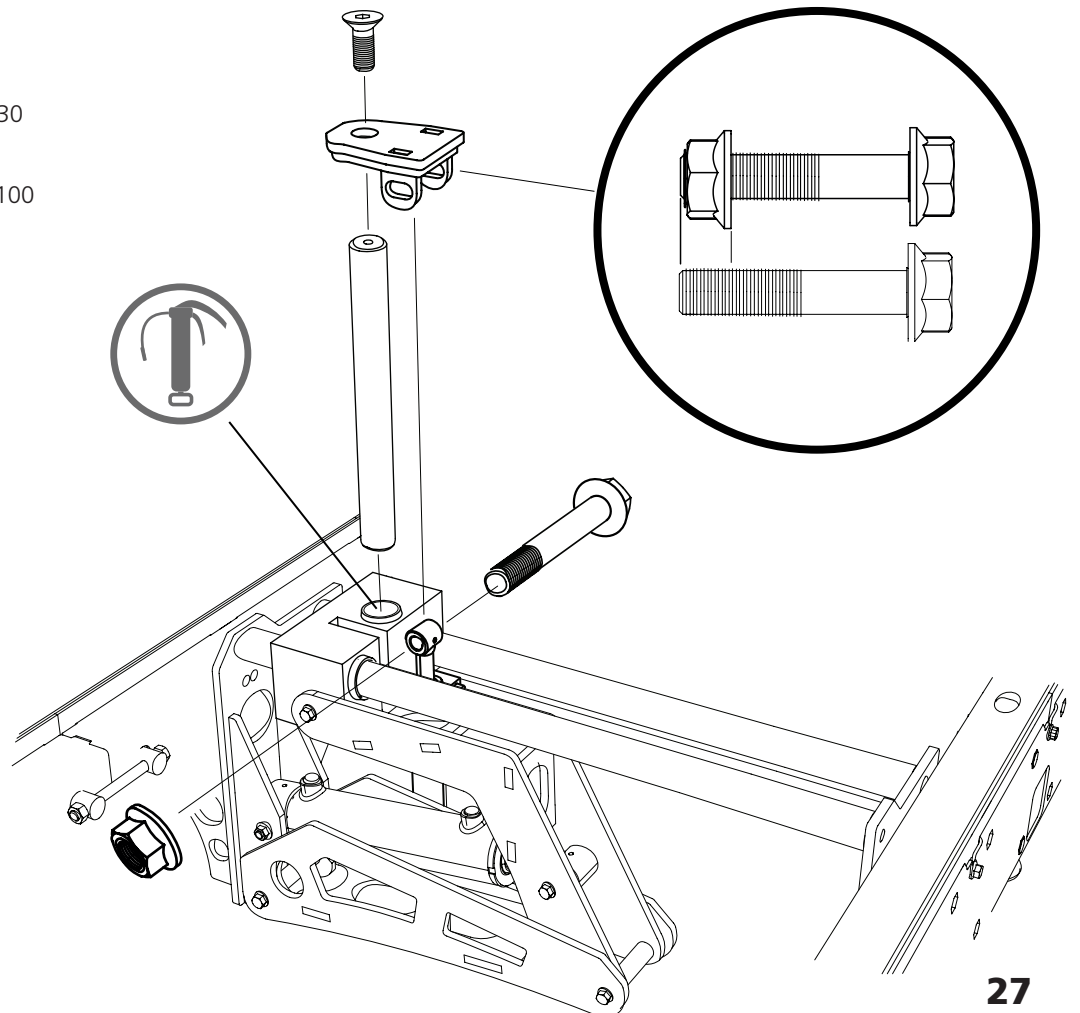


**7**

1 x - M12x30

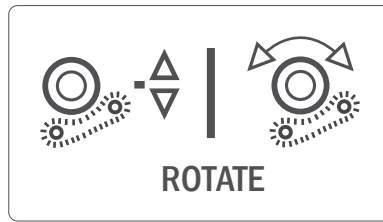
1 x - M16x100

1 x - M16





**00-00102**

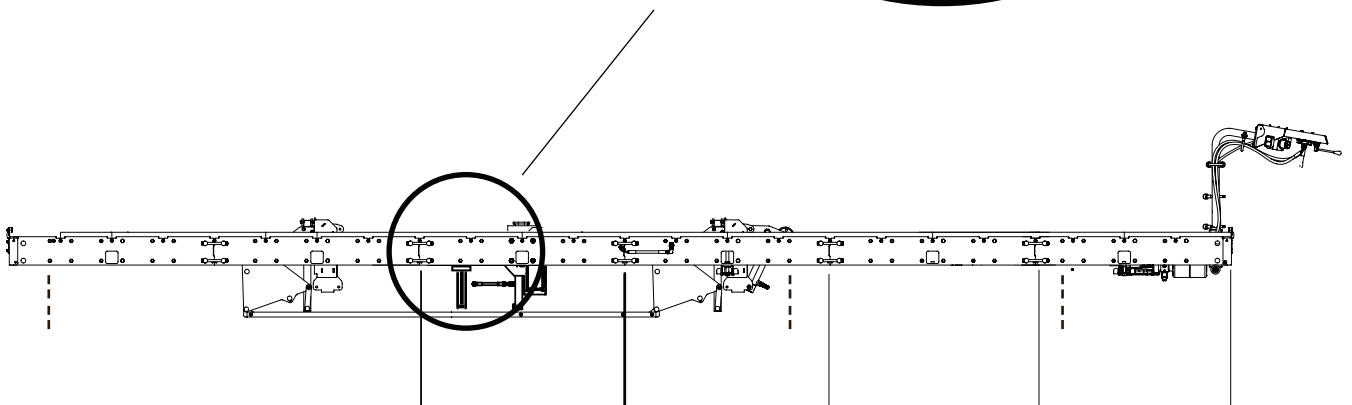
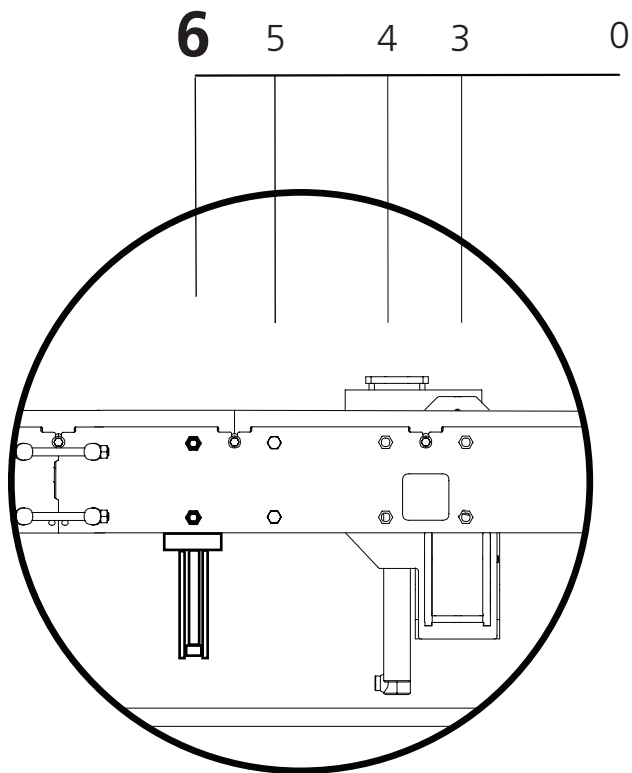


We recommend laying out all fasteners on a tray or similar to make the task easier.

To be able to mount new functions in the rails, it is important to release existing log beds in order to facilitate installation of the new functions.

**Position 00-00102**

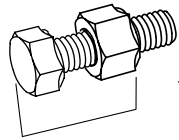
The log beds are positioned on pipe number **4** viewed in the sawing direction. The beds are then placed on hole pattern **6** counted from the joint on the pipe in the sawing direction.



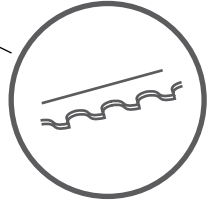
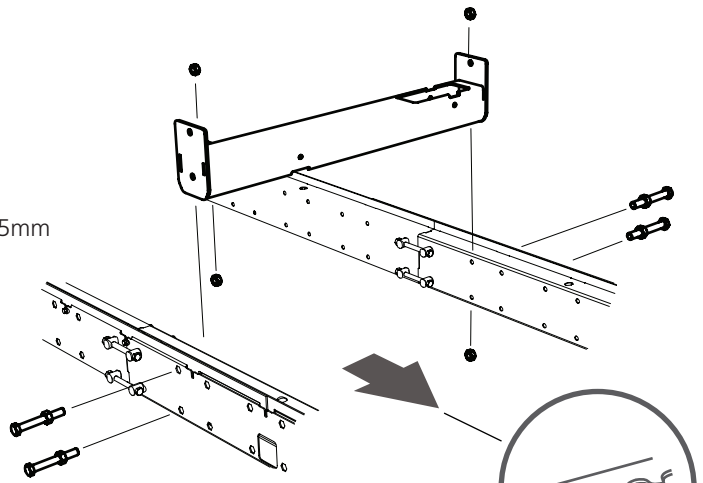




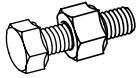
**00-00102**



78,5mm



**1**

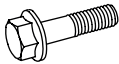


4 x - M12x100 +M12



4 x - M12

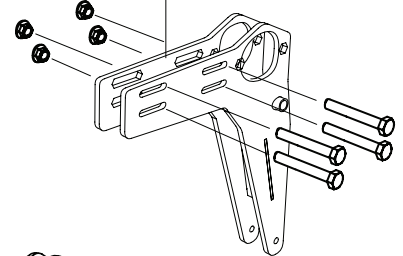
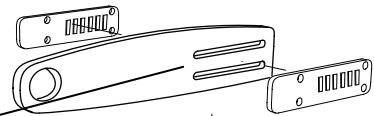
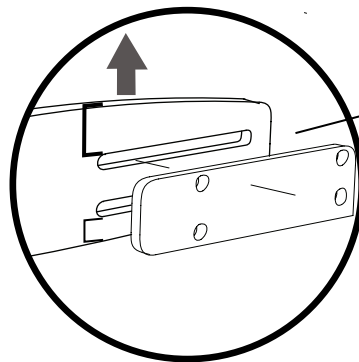
**2**



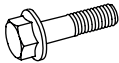
4 x - M10x70



4 x - M10



**3**



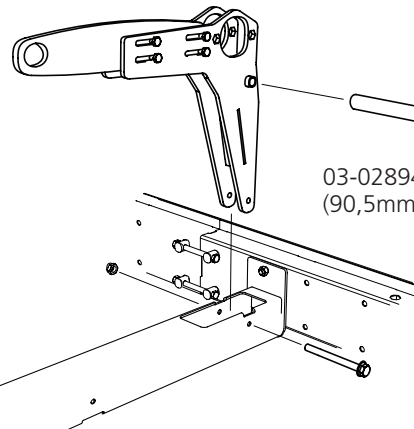
1 x - M10x110



1 x - M10



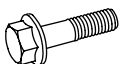
1x - 03-02894 (90,5mm)



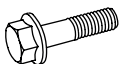
03-02894  
(90,5mm)



**4**



1 x - M10x110



1 x - M10x75



2 x - M10



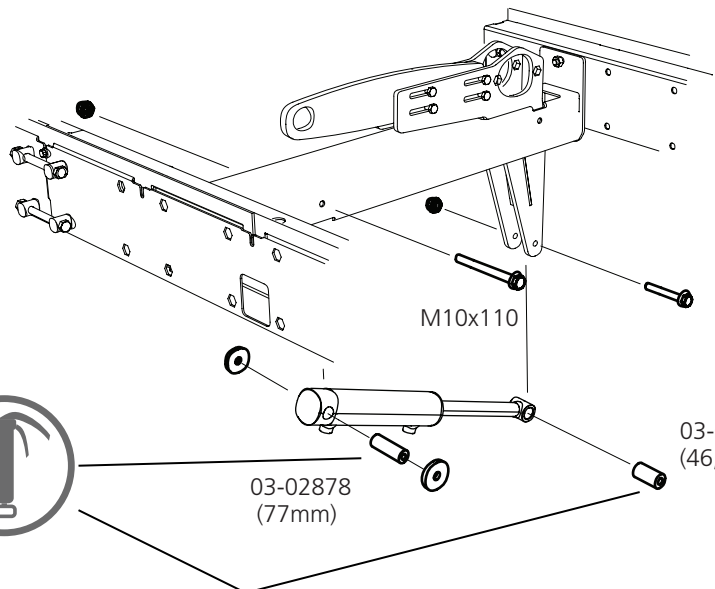
1x - 03-02878 (77mm)



1x - 03-02898 (46,5mm)



2x - 03-02898



M10x110

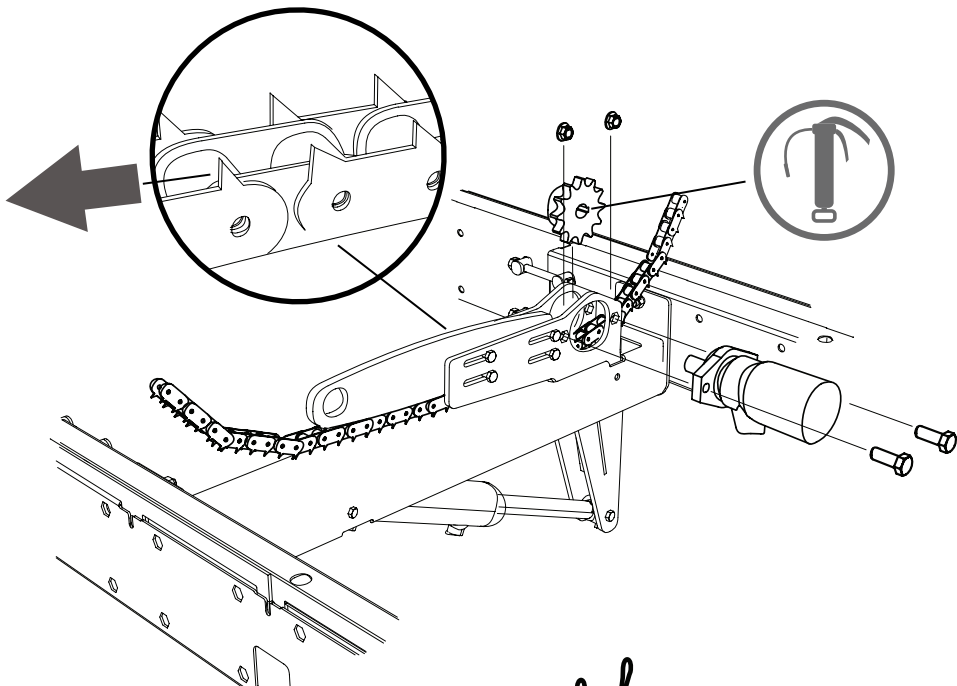
03-02878  
(77mm)

03-02898  
(46,5mm)





00-00102



5



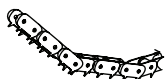
2 x - M12x30



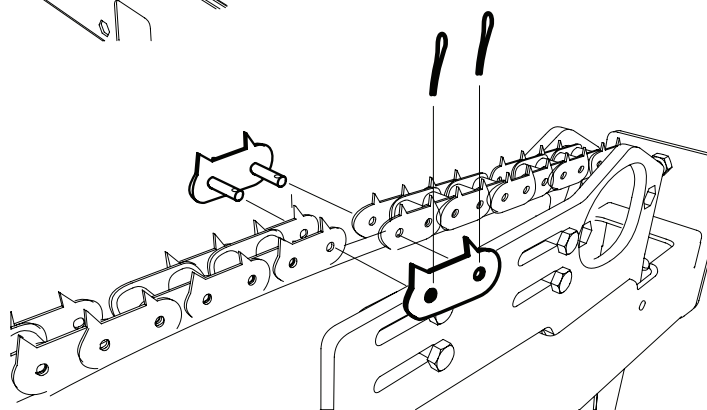
2 x - M12



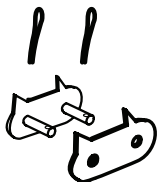
1x - 04-00437



04-00550 B751pro  
04-00435

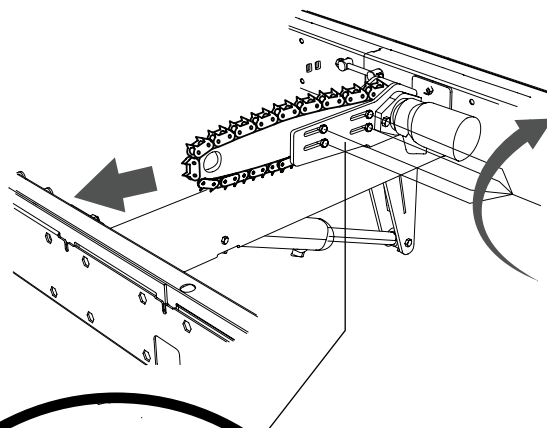


6



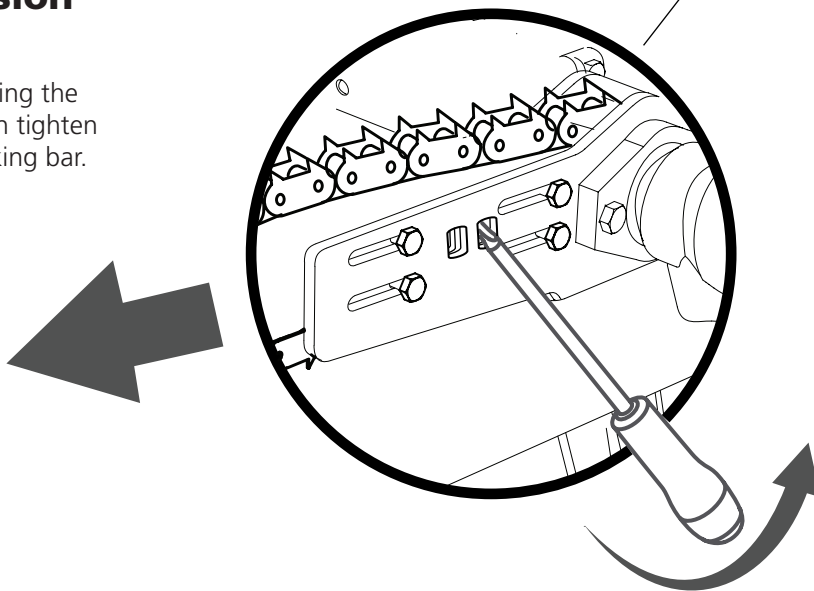
1x - 04-00554

7



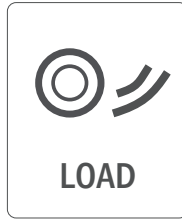
### Adjusting chain tension

Adjust the chain tension by releasing the screws holding the guide bar, then tighten the chain using a chisel or a breaking bar. Then re-tighten the screws.





**8310-001-0205**



**Position 8310-001-0205**

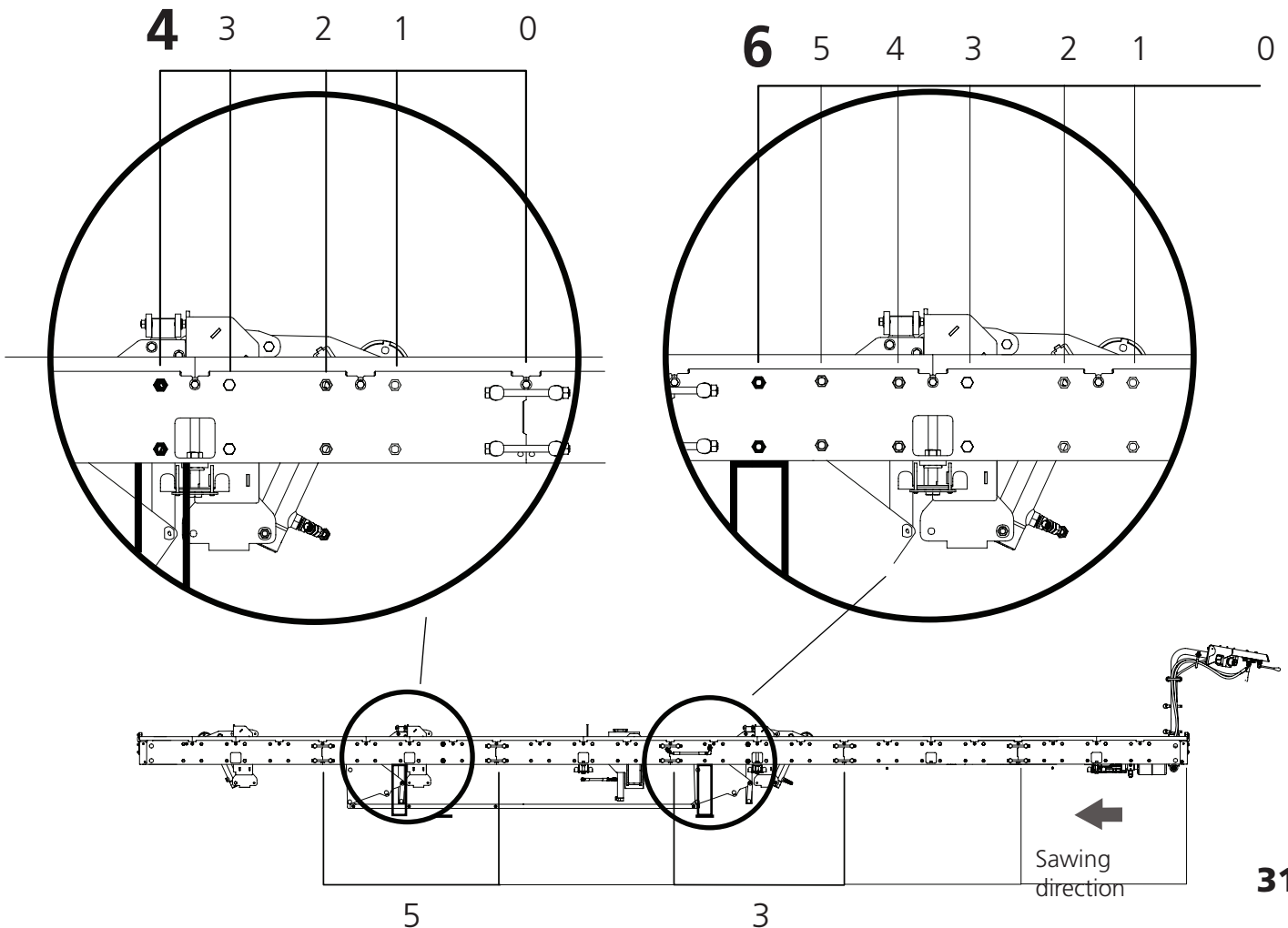
The log loaders are positioned on pipes number **3** and **5** viewed in the sawing direction.

Count the hole patterns from the pipe joint.



We recommend laying out all fasteners on a tray or similar to make the task easier.

To be able to mount new functions in the rails, it is important to release existing log beds in order to facilitate installation of the new functions.





# 8310-001-0205

## 1



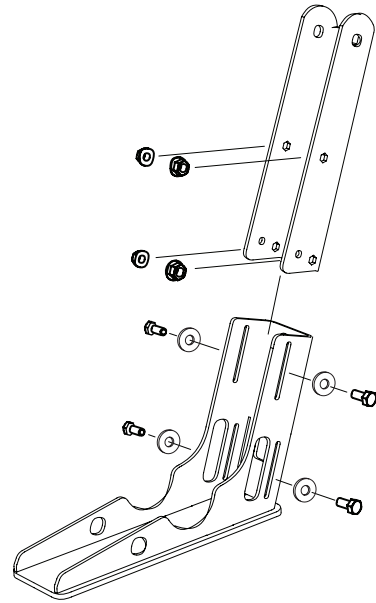
4 x - M10x20



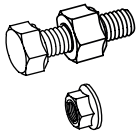
4 x - M10



4 x - M10



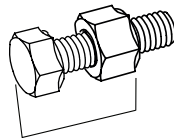
## 2



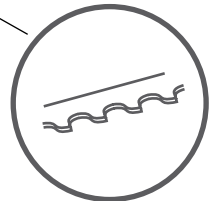
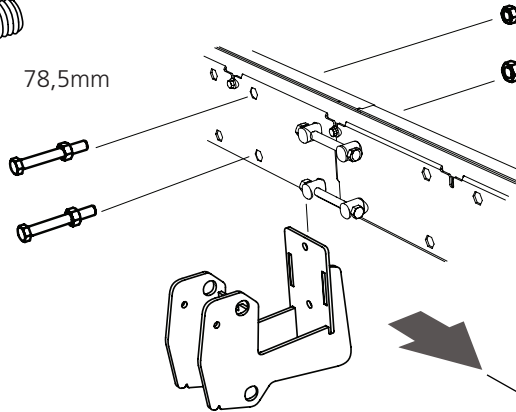
2 x - M12x100 +M12



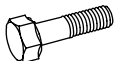
2 x - M12



78,5mm



## 3



1 x - M12x130



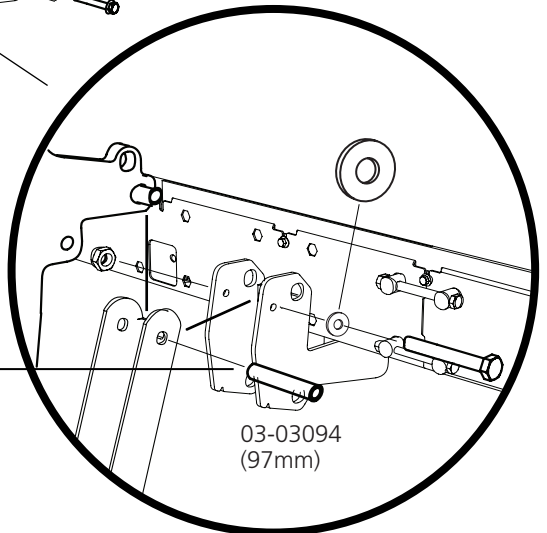
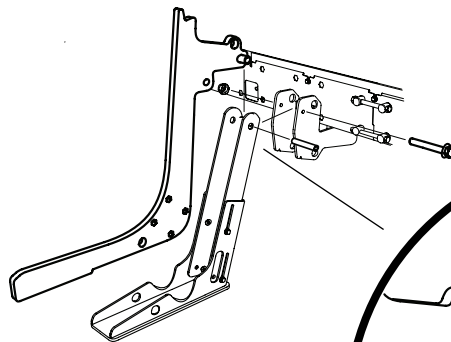
1 x - M12



1 x - M12



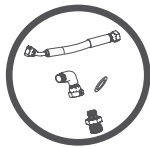
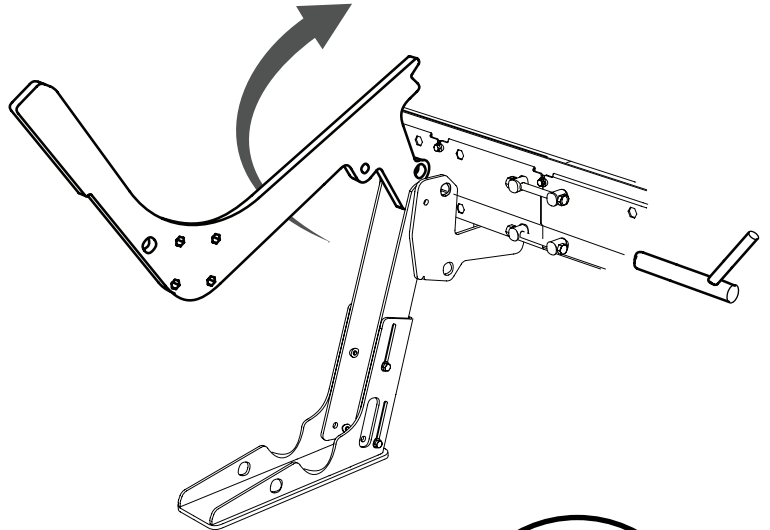
1x - 03-03094 (97mm)



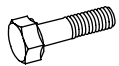
03-03094  
(97mm)



**8310-001-0205**



**04-00468**



1 x - M12x110



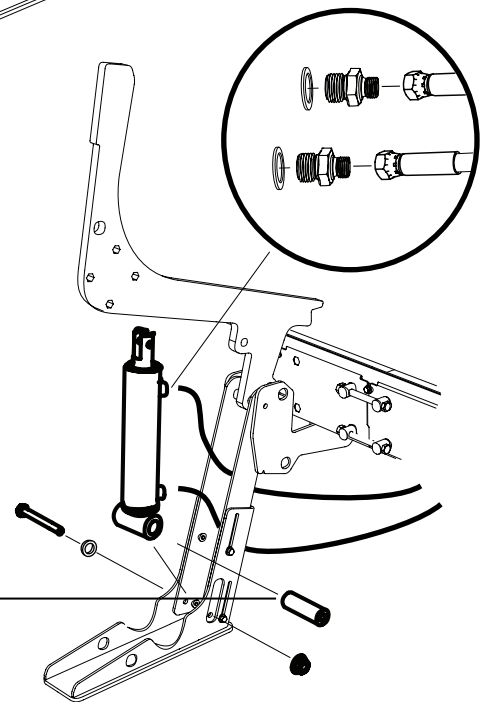
1 x - M12



1 x - M12



1x - 03-03105 (78mm)



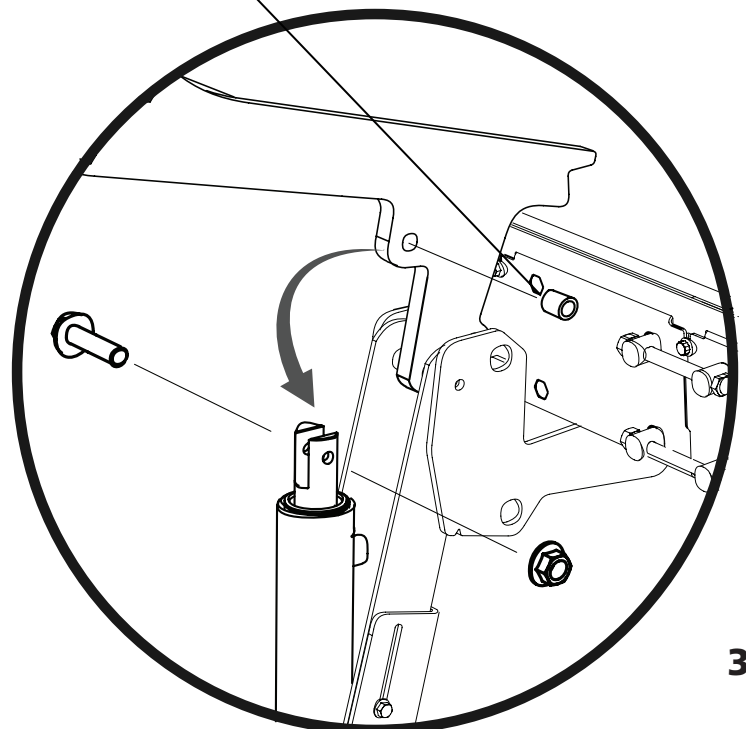
1 x - M12x55



1 x - M12

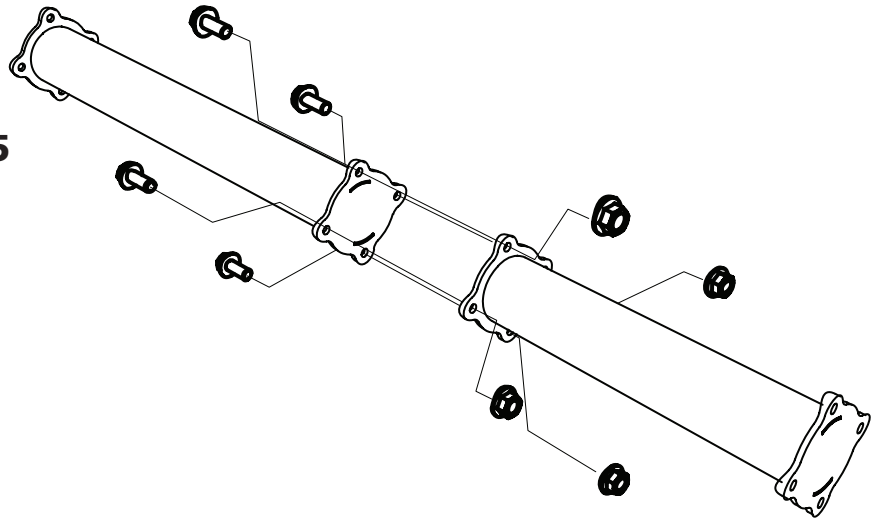


1x - 03-03102 (21,8mm)





**8310-001-0205**



**7**



4 x - M10x25



4 x - M10

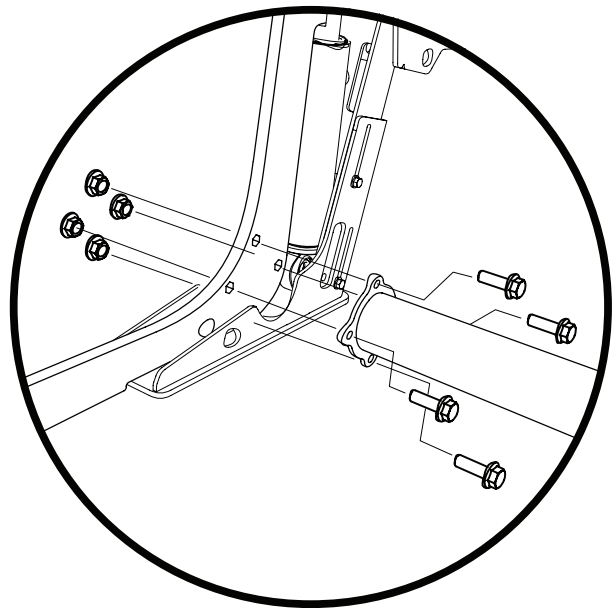
**8**



4 x - M10x30



4 x - M10



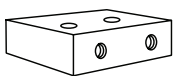
**9**



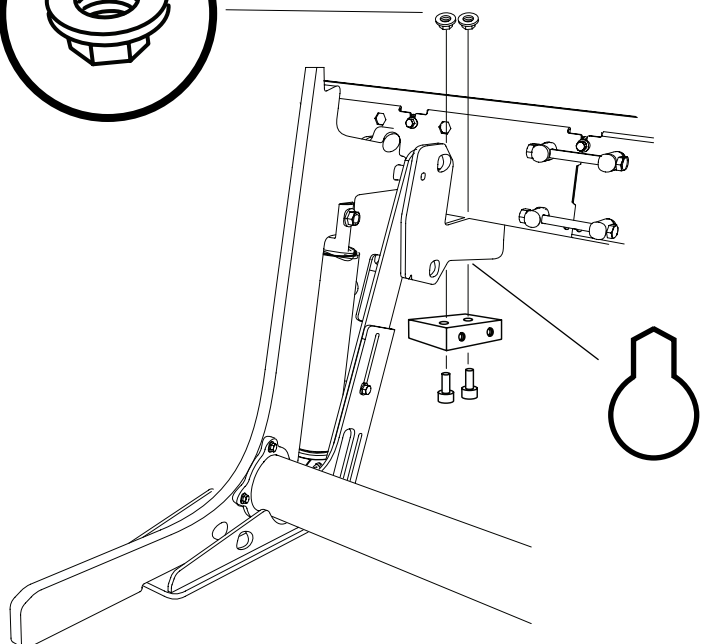
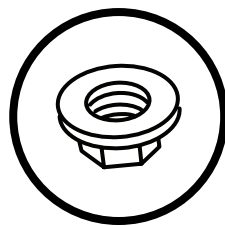
4 x - M8x40



4 x - M8



2 x





## 01-00560

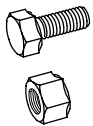


To start the next step, the parts from the packages are needed. **01-00560**. We recommend laying out all fasteners on a tray or similar to make it easier to find screws.



To be able to mount new functions in the rails, it is important to release existing log beds in order to facilitate installation of the new functions.

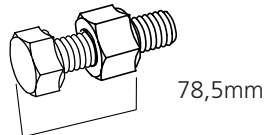
# 1



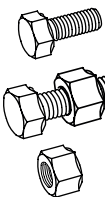
4 x – M10x25

4 x – M10

# 2



78,5mm

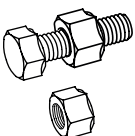


2 x – M8x20

1 x – M12x90 +M12

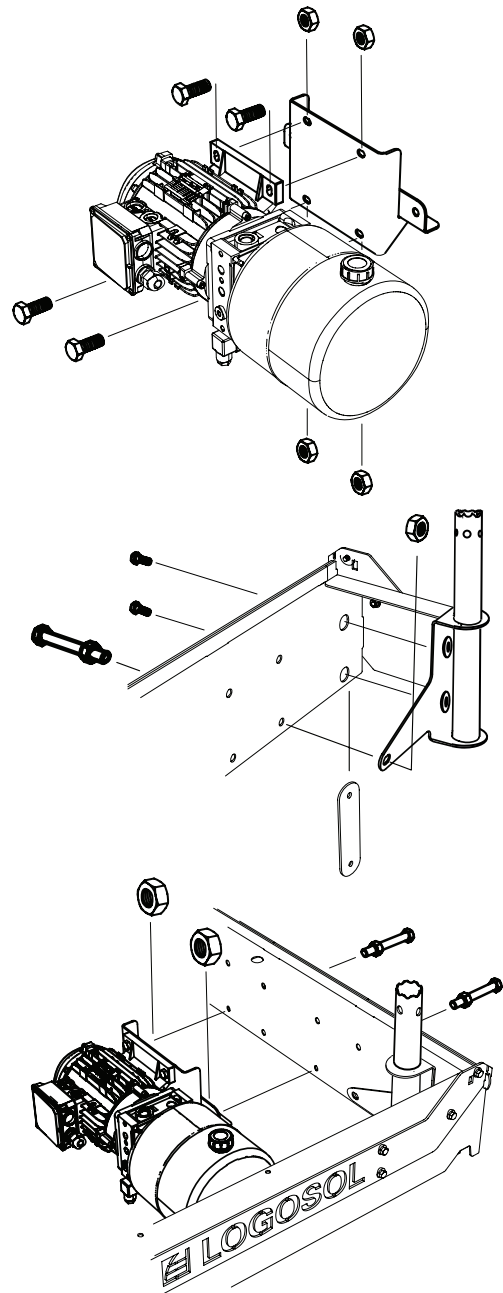
1 x – M12

# 3



2 x – M12x90 +M12

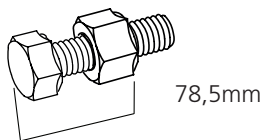
2 x – M12



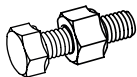


### 01-00718

1



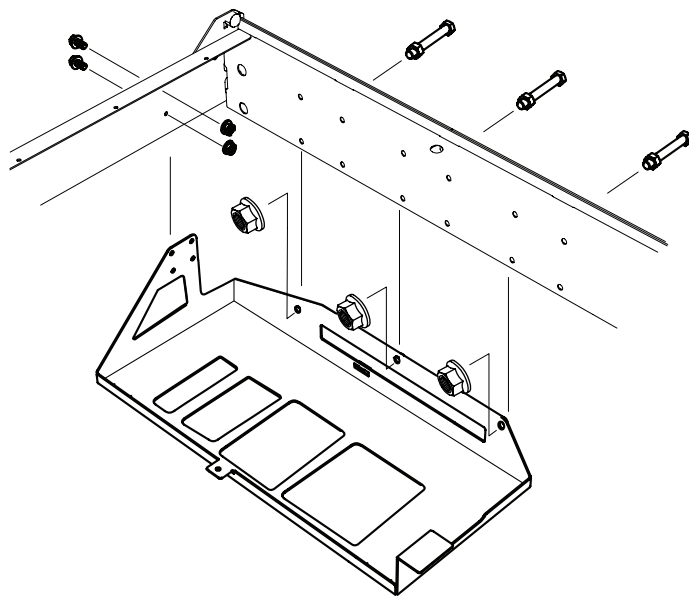
78,5mm



3 x - M12x100 +M12



2 x - M12



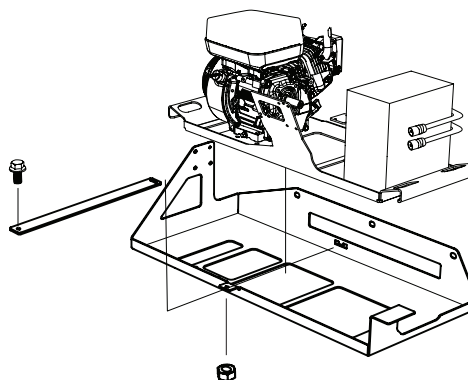
2



1 x - M8x20

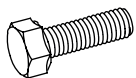


1 x - M8



### 01-00560

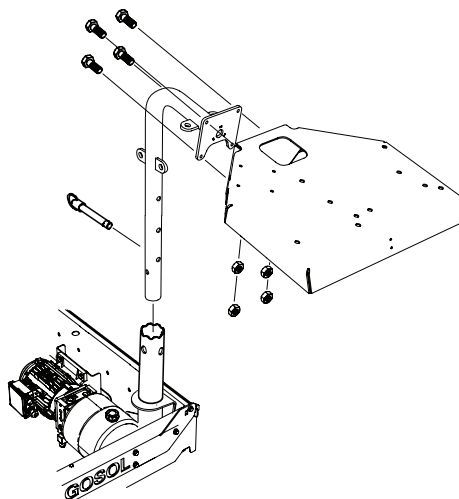
1



4 x - M6x16



4 x - M6



2



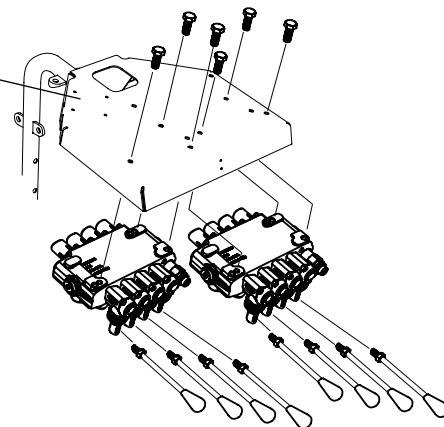
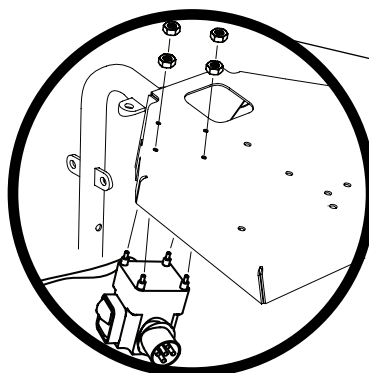
6 x - M8x14



4 x - M4



4 x - M4

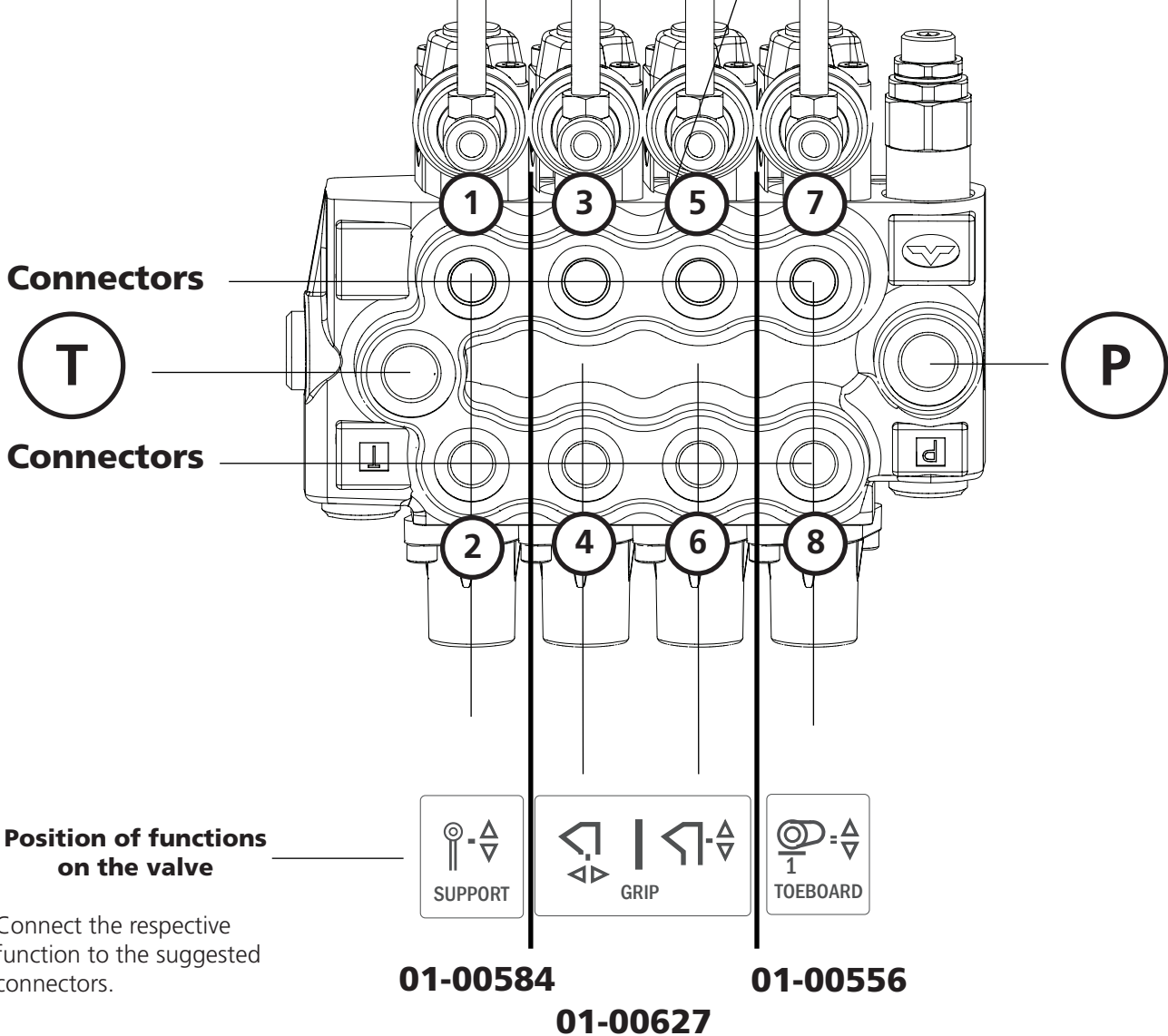
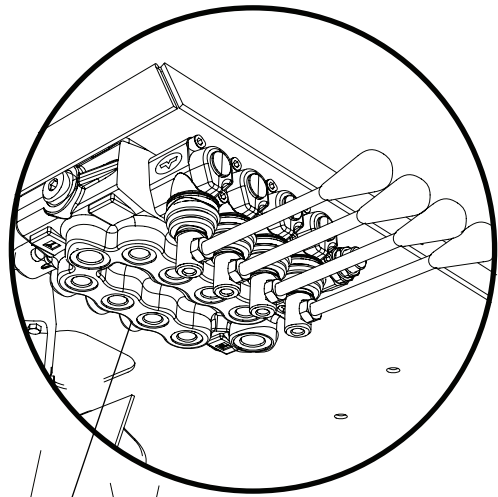




# CONNECTION VALVE/ HYDRAULIC CYLINDERS

## VALVE BLOCK 1

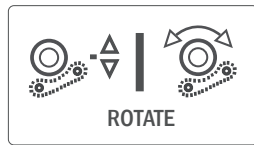
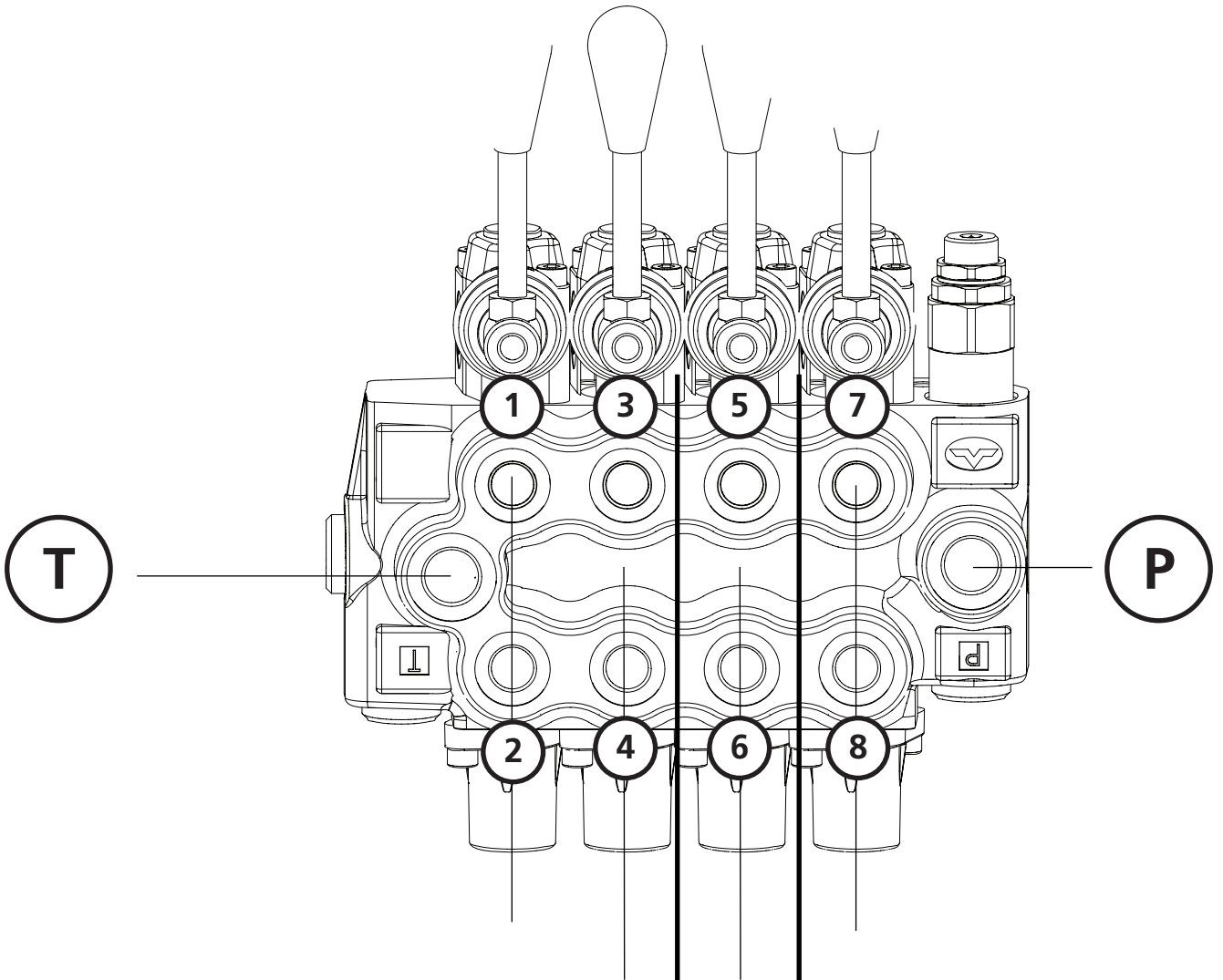
Four functions can be connected to the valve block. The functions are connected into the lines with connectors



Position of functions on the valve

Connect the respective function to the suggested connectors.

2



01-00102

8310-001-0205

01-00584

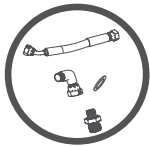
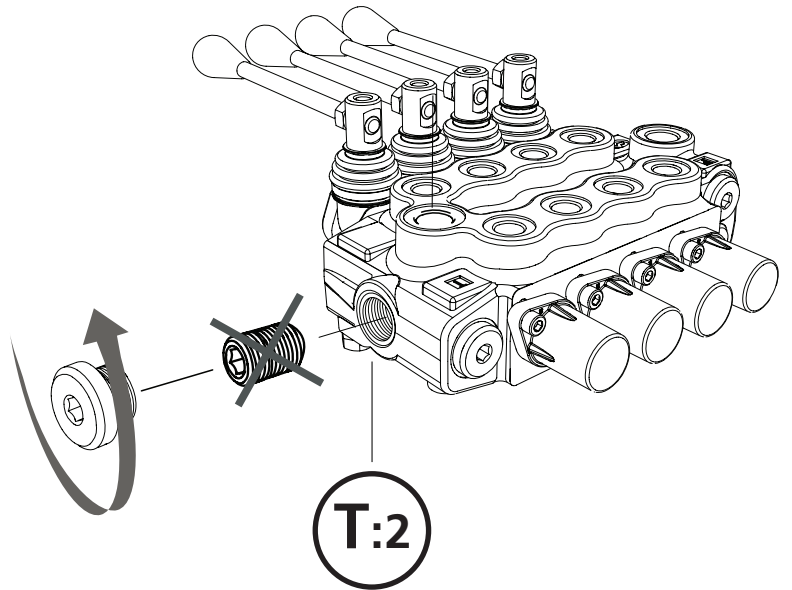


## Parallel coupling valves

For valve 2 to function properly, it must be connected to valve 1. Connect the valves as shown in the illustration below. Check that all sealing surfaces are clean before tightening.

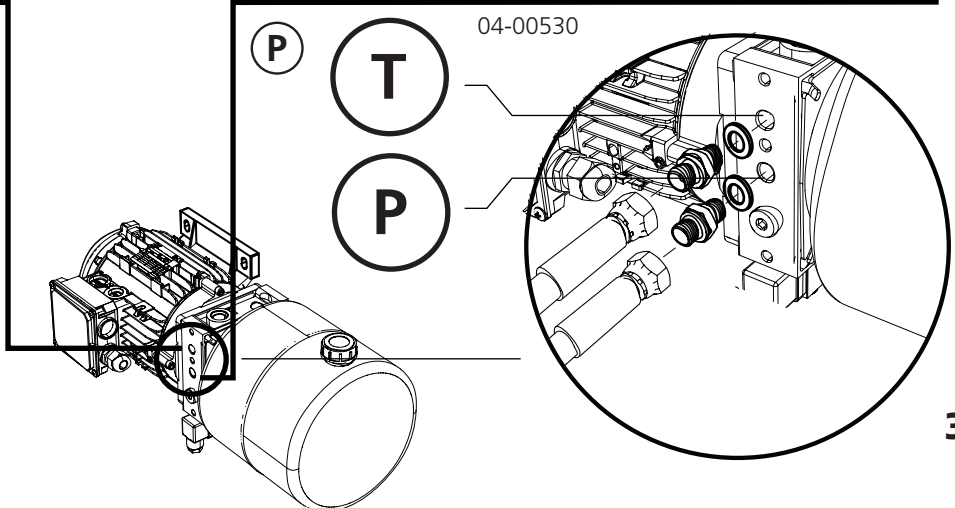
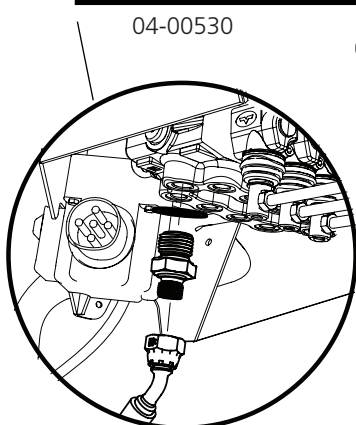
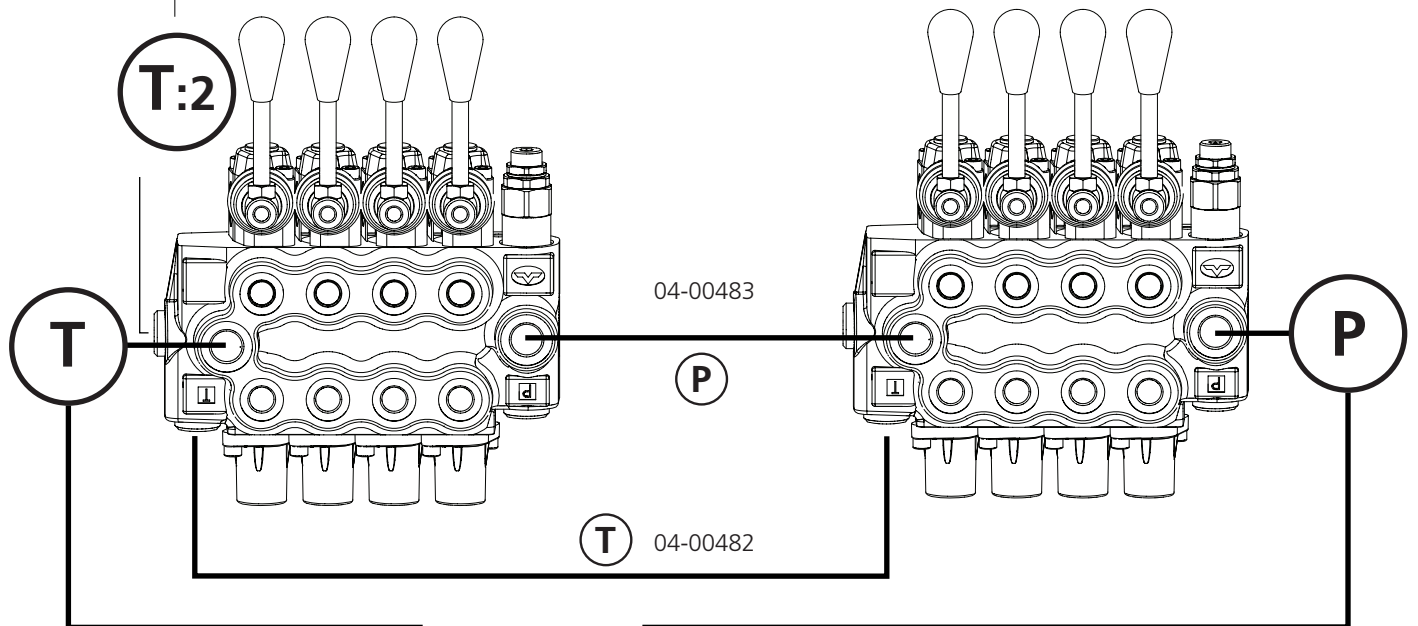
## Carryover plug T:2

In order for the valve to function properly, a plug in the T:2 port needs to be removed. Unscrew the cover, remove the plug and replace the lid.



1x - 04-00439

1x - 04-00444

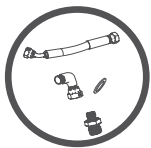




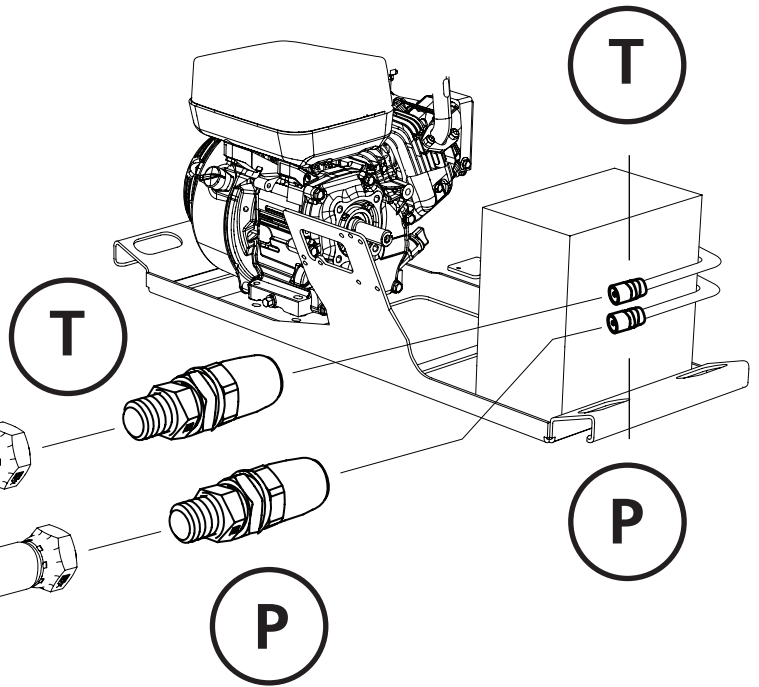
01-00718

### Connection T/P petrol unit

The petrol unit has quick couplings on the P/T, mount the quick couplings on the pump and tank hoses and connect it into the petrol unit. The connection in the valves is the same for both units.



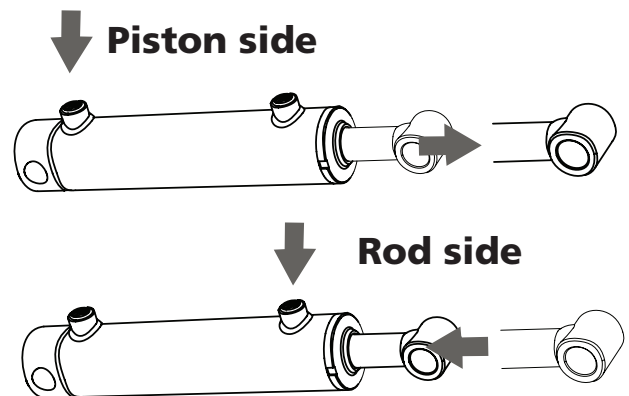
1x - 04-00574



## VALVE BLOCK

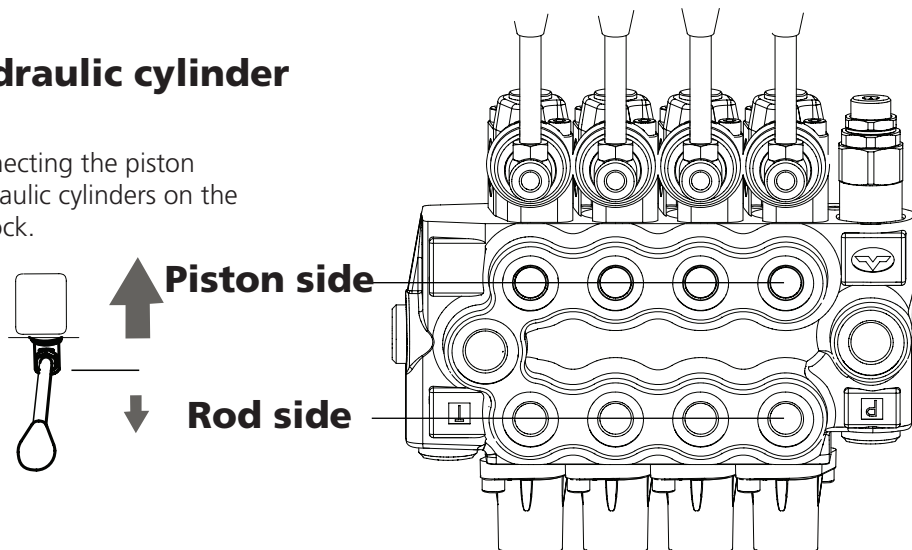
### Hydraulic cylinders

To facilitate connection of the hydraulic cylinders, we define the connections as piston side and rod side.



### Connecting hydraulic cylinder

Logosol recommends connecting the piston connections from the hydraulic cylinders on the piston side of the valve block.



## Connecting hydraulic cylinders

Fit the hoses onto the hydraulic cylinder. Note the location of the respective hose on the cylinder and valve. The hoses connected to the piston side of the cylinder shall be connected to the piston side of the valve. (A) Note the illustration showing the side of the sawmill into which the hoses should be installed for each function. (B)

Then perform the procedure on the other functions based on the respective instruction.

Double-check that all connections are properly tightened before starting work on the first start-up of the machine.



**Warning! Cuts. Never handle pressurized hydraulic hoses, oil from a pressurized hose can penetrate the skin and cause serious injury.**



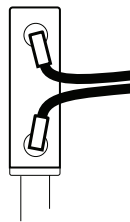
Do not lift or handle hydraulic equipment connected to the hoses or couplings.



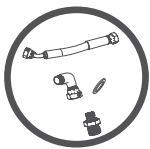
Handle hydraulic hoses and couplings carefully during assembly and maintenance work. Avoid sharp bends on hydraulic hoses. Sharp bends damage the hoses and increase the risk of breakdown.

## Connection angle

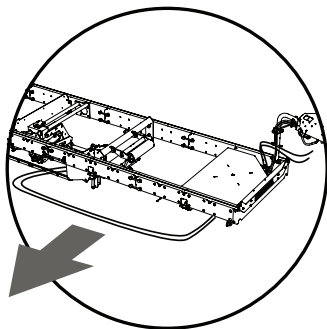
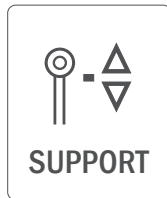
the illustration shows the connection angle of the hoses for each function in top view.



**01-00584**

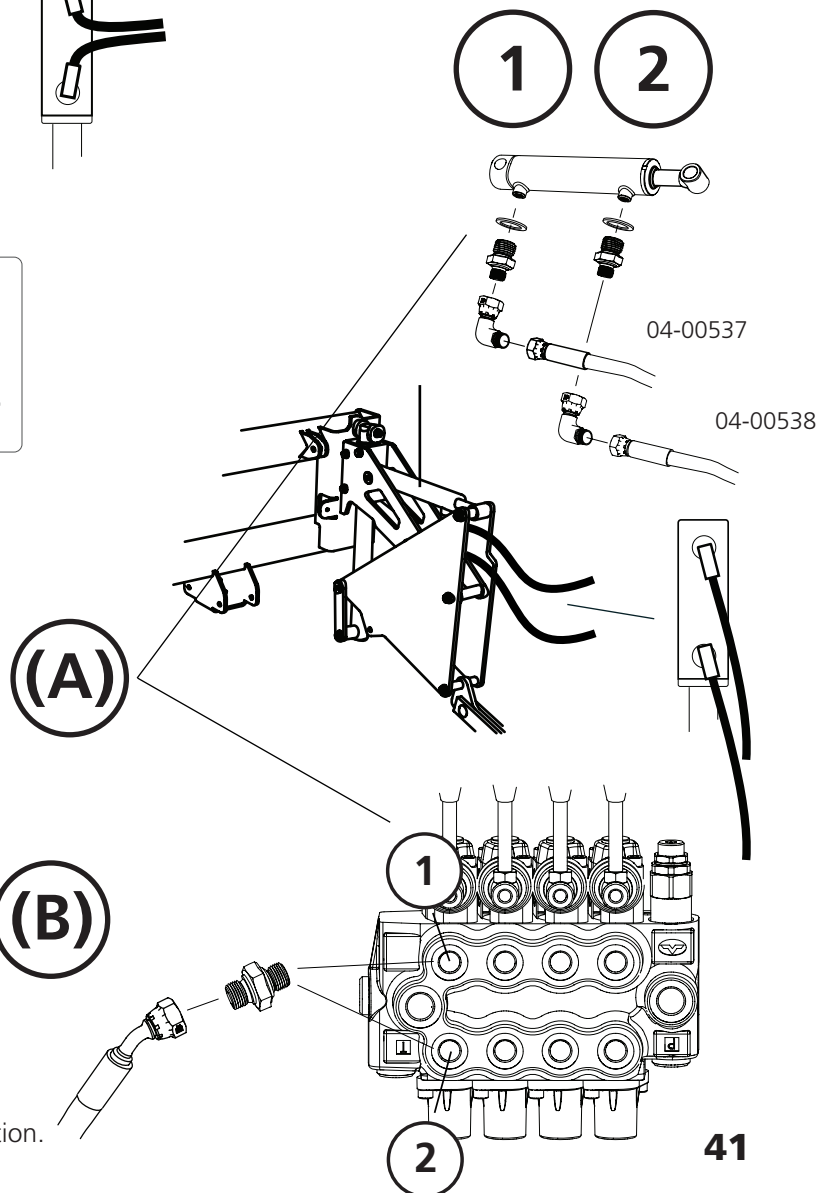


1x - 04-00539



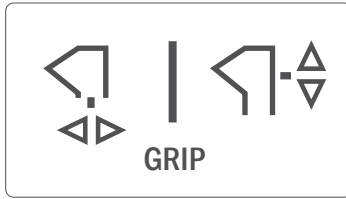
## Position of hydraulic hose

The illustration shows the side of the saw bed to which the hoses should be installed for each function.

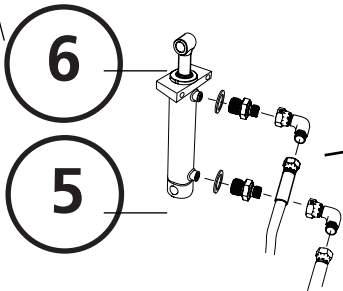
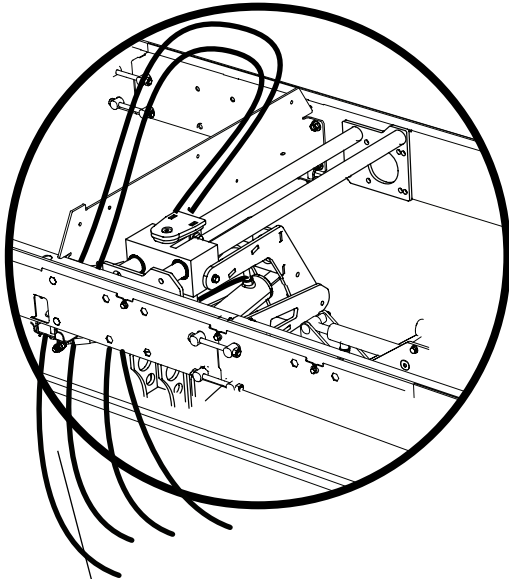




01-00627



1x - 04-00441  
1x - 04-00442

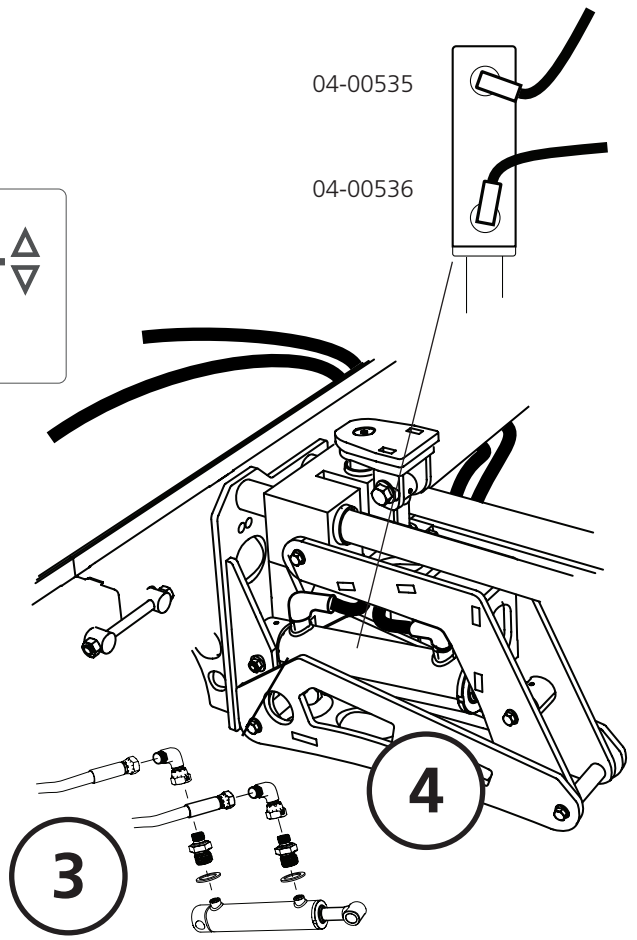


6

5

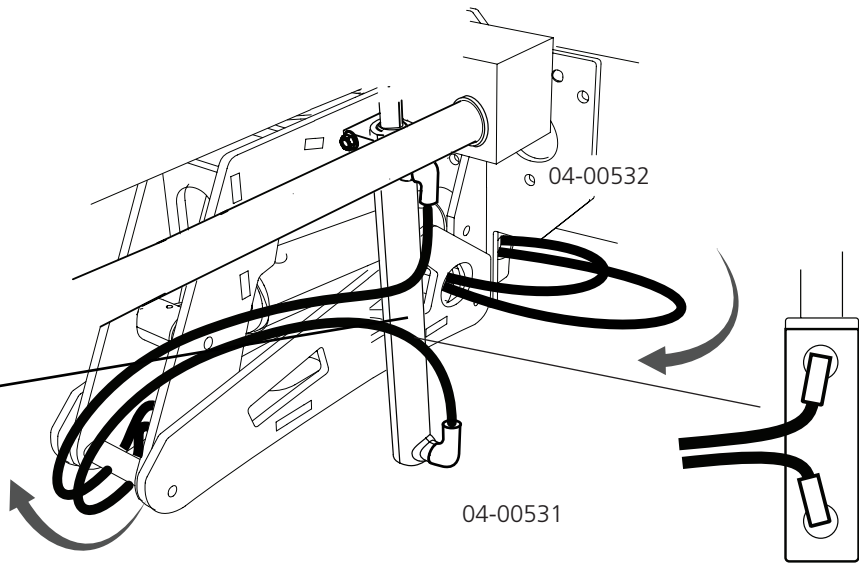
04-00535

04-00536



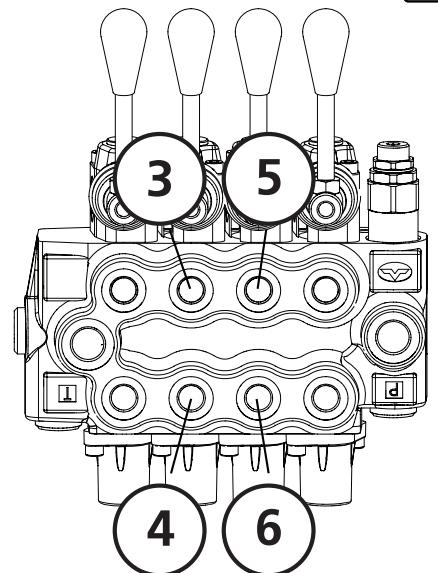
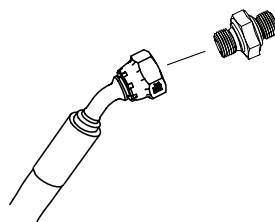
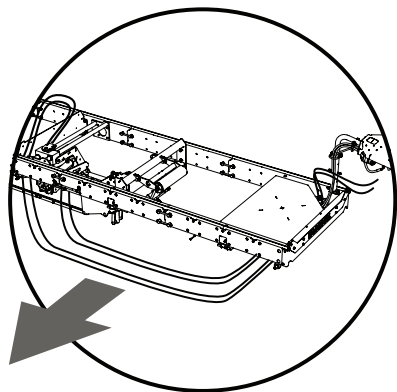
3

4



04-00532

04-00531



3

5

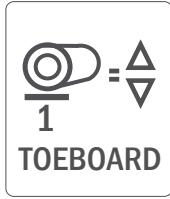
4

6





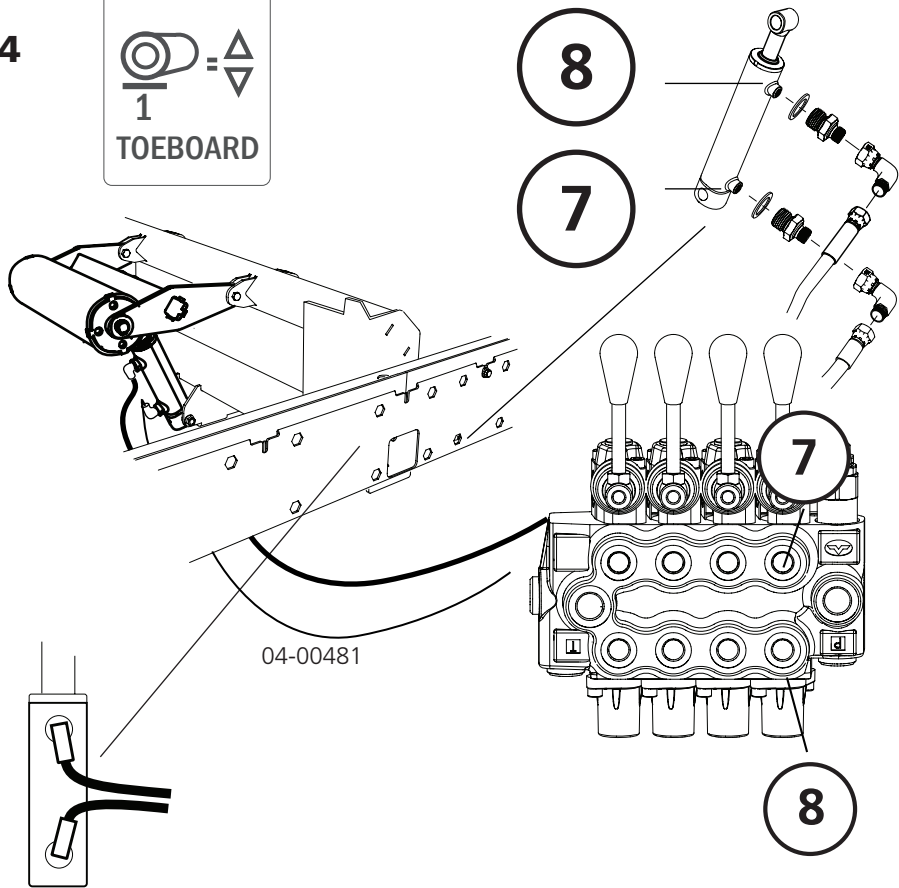
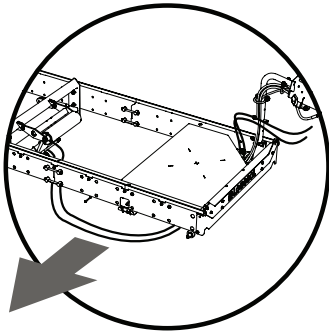
**01-00584**



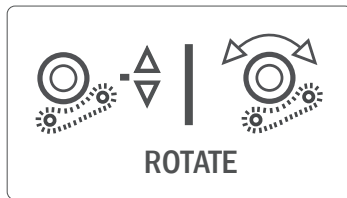
**TOEBOARD**



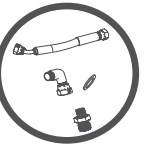
**04-00440**



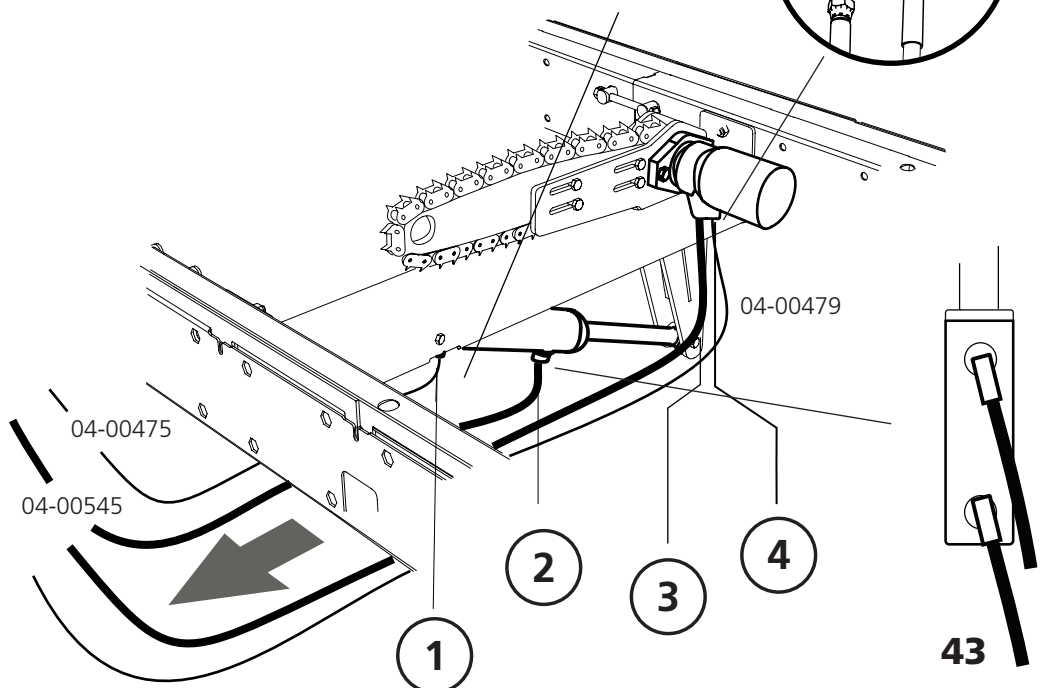
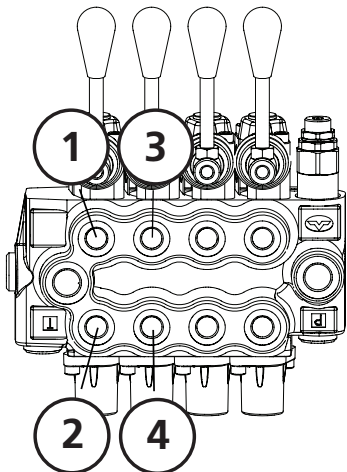
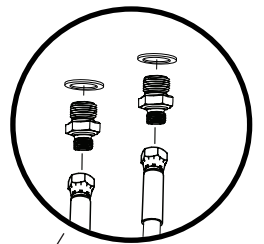
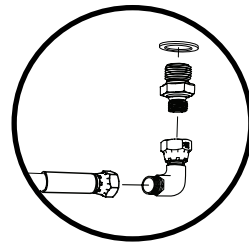
**01-00102**



**ROTATE**



**04-00474**  
**04-00477**





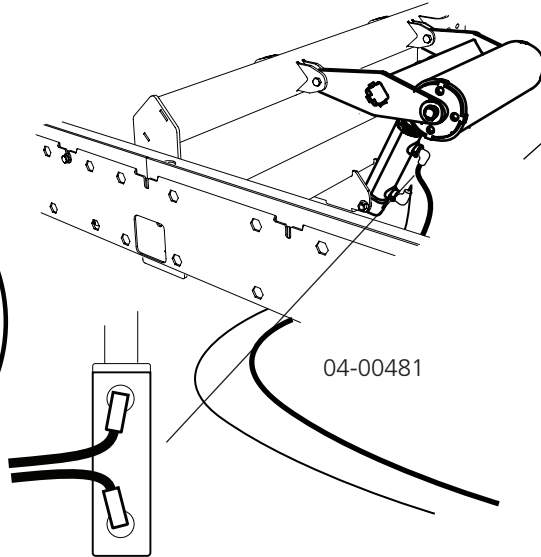
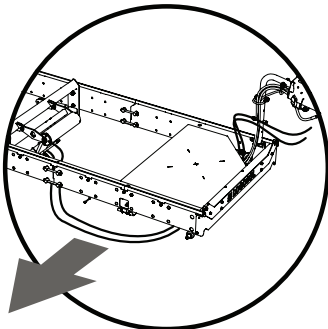
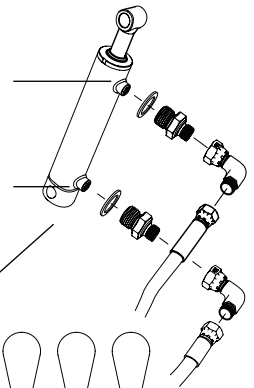
01-00584



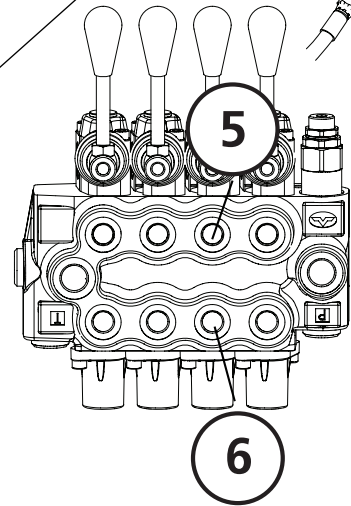
04-00478

6

5



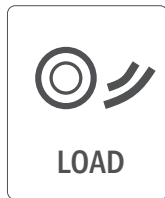
04-00481



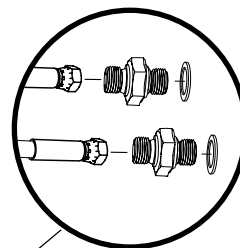
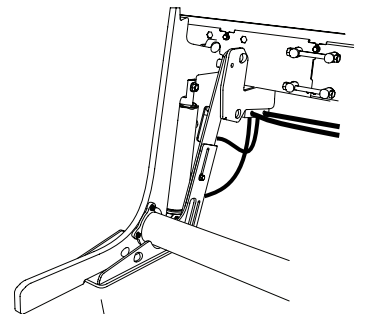
6



01-00604



04-00468



04-00472

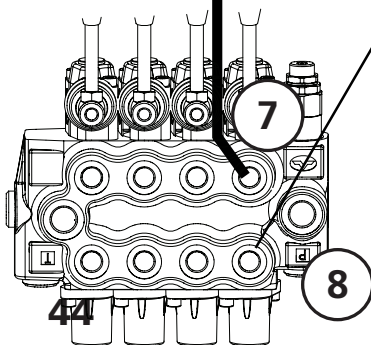
04-00471

04-00470

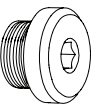
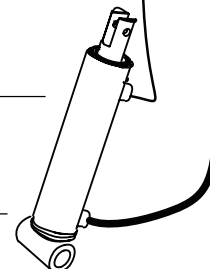
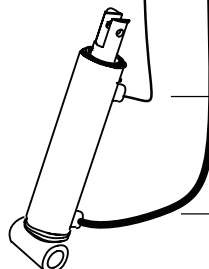
04-00470

8

7



44





# HYDRAULIC HOSE

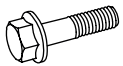
## Securing hydraulic hose

The hydraulic hoses shall be secured beneath the log bed on its route between the functions and the operating position. Secure the hoses with the brackets supplied. Be sure to stretch the hoses, try to minimize the amount of hose hanging between the brackets and ensure that they are not pinched so that the brackets cause wear to the hoses.

At the operating position, hang up and secure the excess hose beneath the work platform with the straps. Assembly of the platform is on the next page.

Fit the cable cover over the hoses on the part that is below the valves.

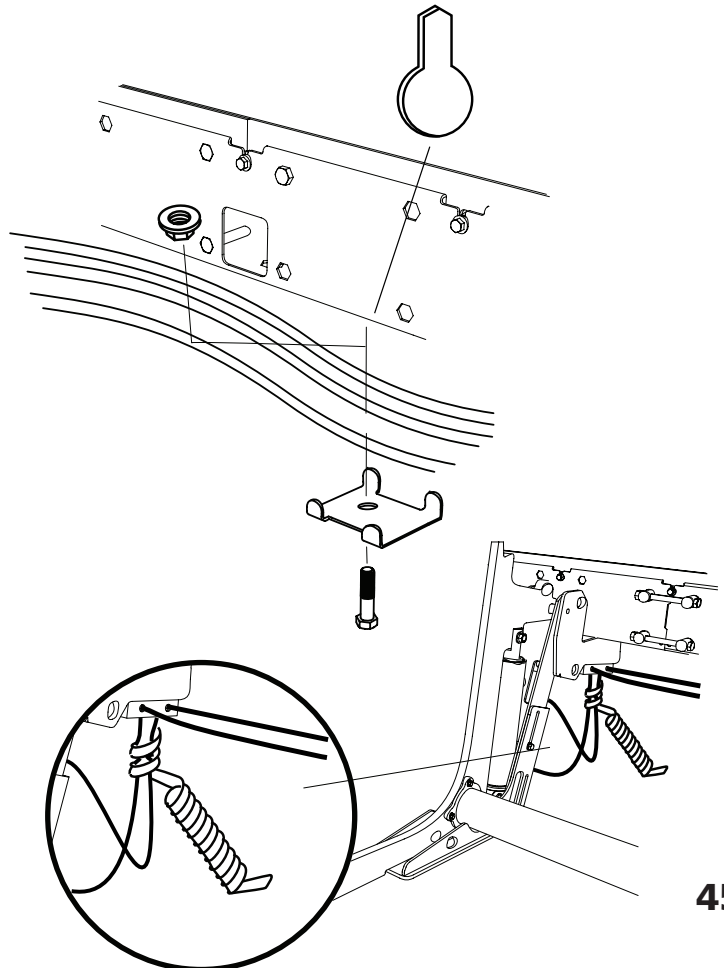
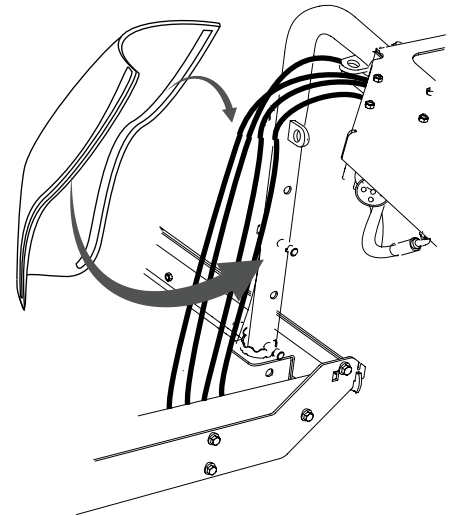
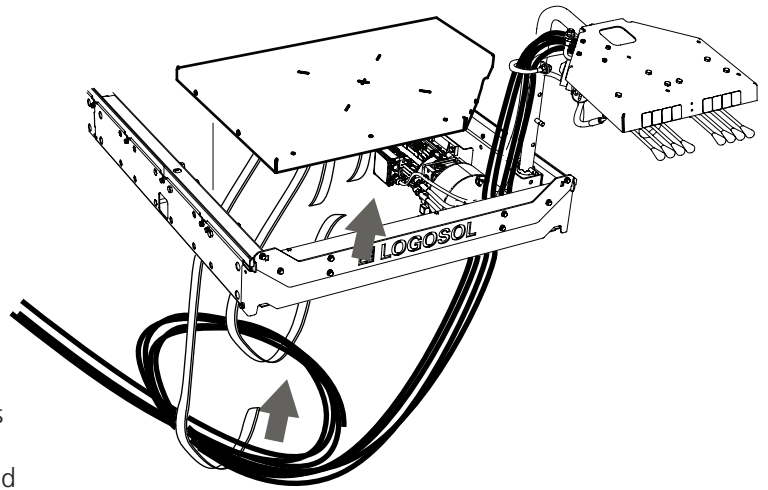
The hydraulic hoses shall be secured beneath the log bed on its route between the functions and the operating position. Using the brackets supplied, be sure to stretch the hoses so that they do not hang down between the brackets and ensure that they are not pinched so that the brackets cause wear to the hoses.



10x – M10x80


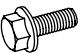

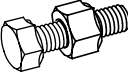



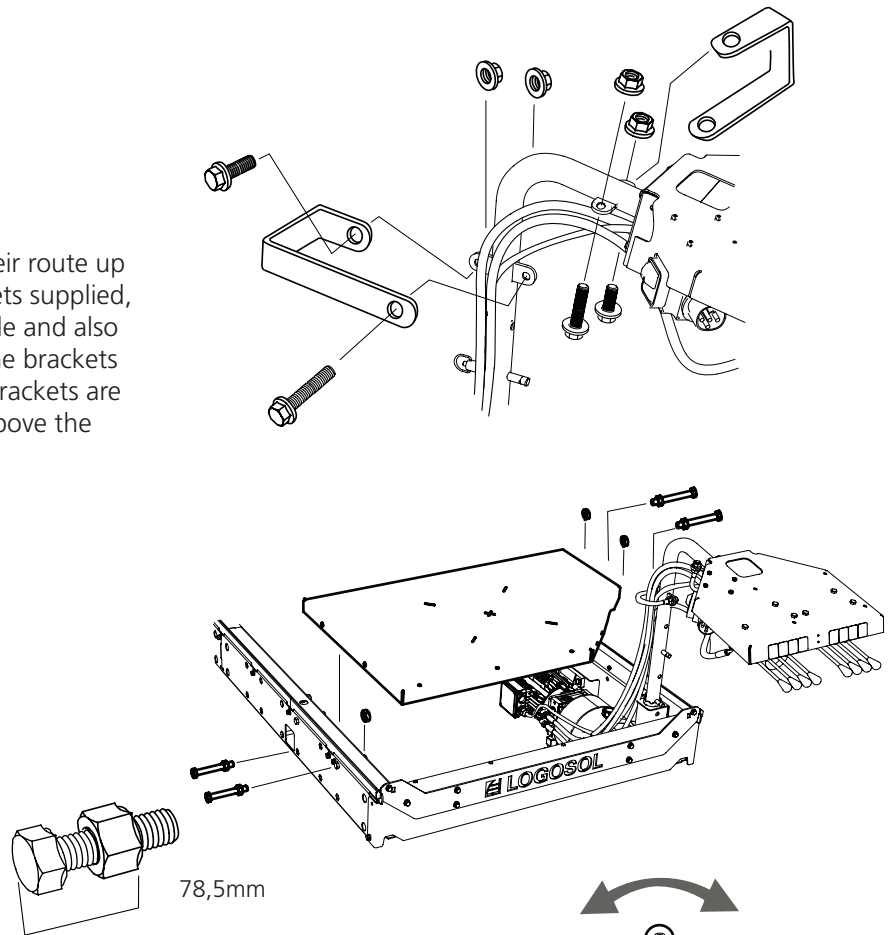
10 x – M10



## Operating position

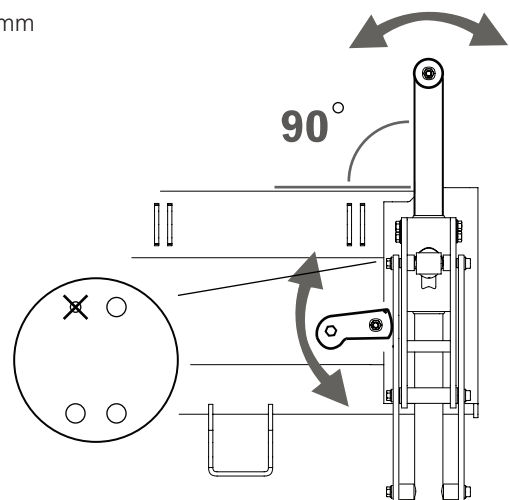
The hydraulic hoses shall be secured on their route up to the operating position. Using the brackets supplied, be sure to collect the hoses in a neat bundle and also ensure that they are not pinched so that the brackets cause wear to the hoses. When the hose brackets are mounted, proceed to assemble the floor above the hydraulic unit.

-  2x – M12x25
-  2x – M12x90
-  4 x – M2
-  4 x – M12x90 +M12
-  4 x – M12



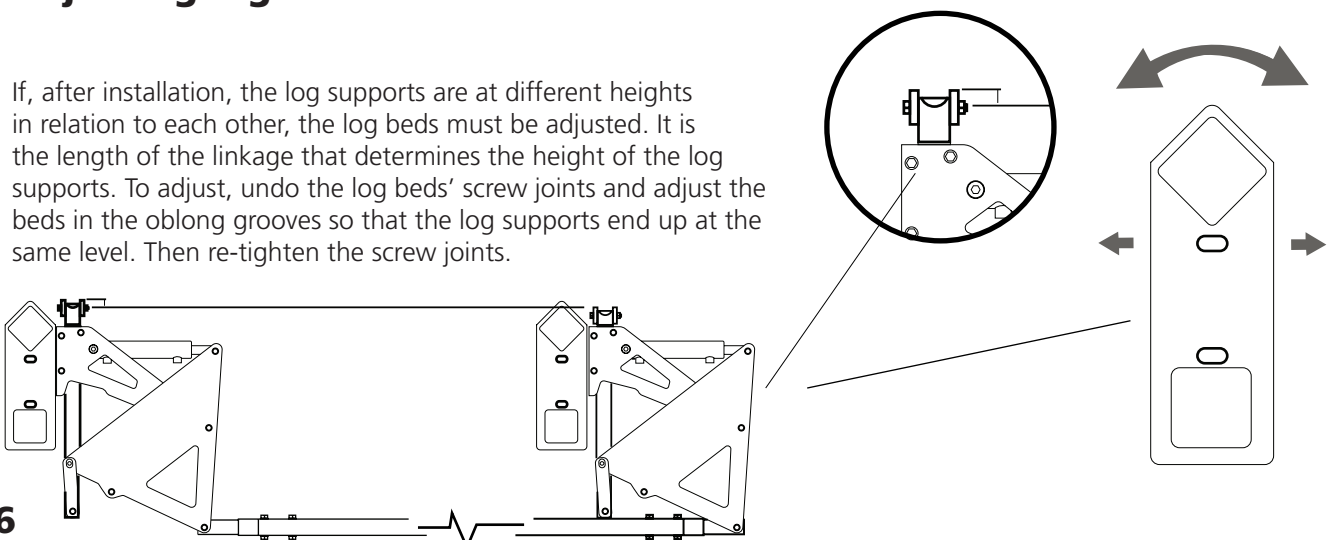
## Adjusting log support

The angle of the log supports is adjustable. The goal is to achieve a 90 degree angular ratio in relation to the log bed. Undo the screws that hold the log supports in the bed. Note that the upper screw towards the centre of the rail should only be very slightly loosened. Then use the knob to adjust the angle. When the angular ratio is 90 degrees, tighten the fastening screws and the knob.

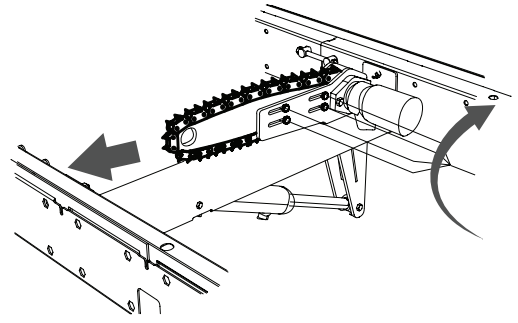


## Adjusting log bed

If, after installation, the log supports are at different heights in relation to each other, the log beds must be adjusted. It is the length of the linkage that determines the height of the log supports. To adjust, undo the log beds' screw joints and adjust the beds in the oblong grooves so that the log supports end up at the same level. Then re-tighten the screw joints.

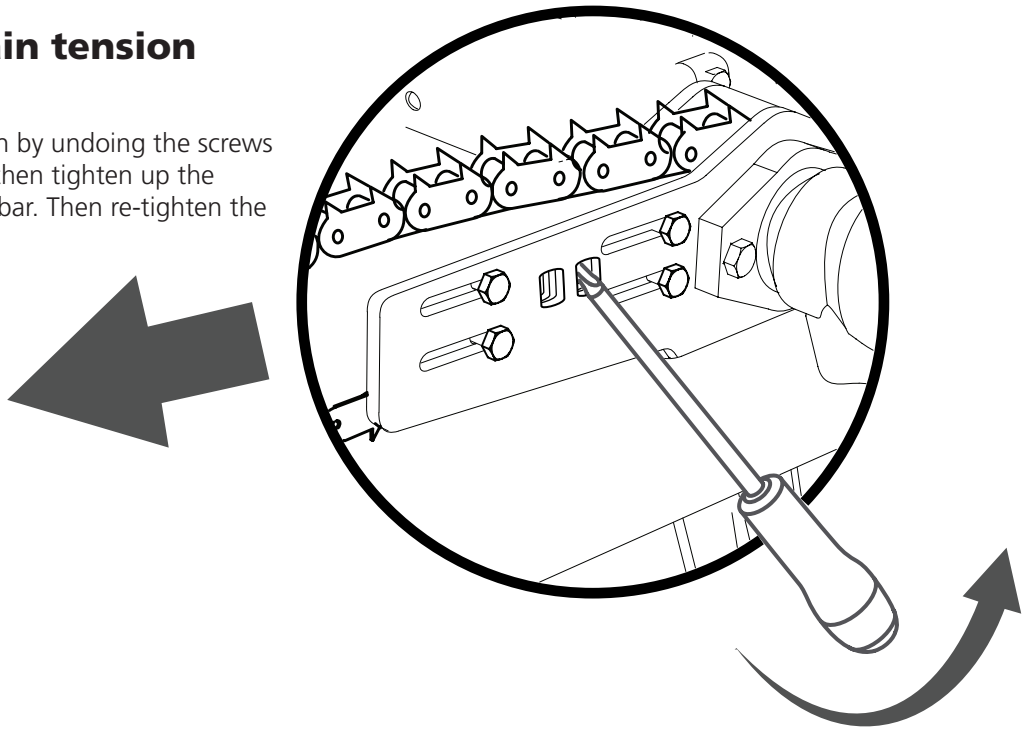


# ADJUSTMENT



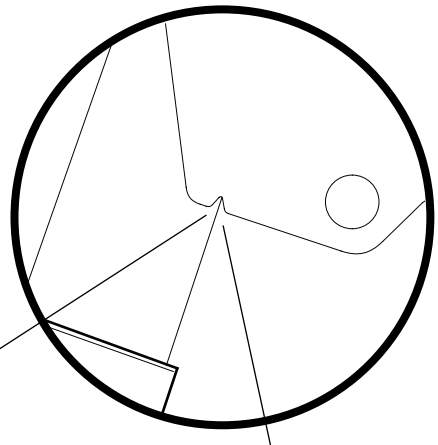
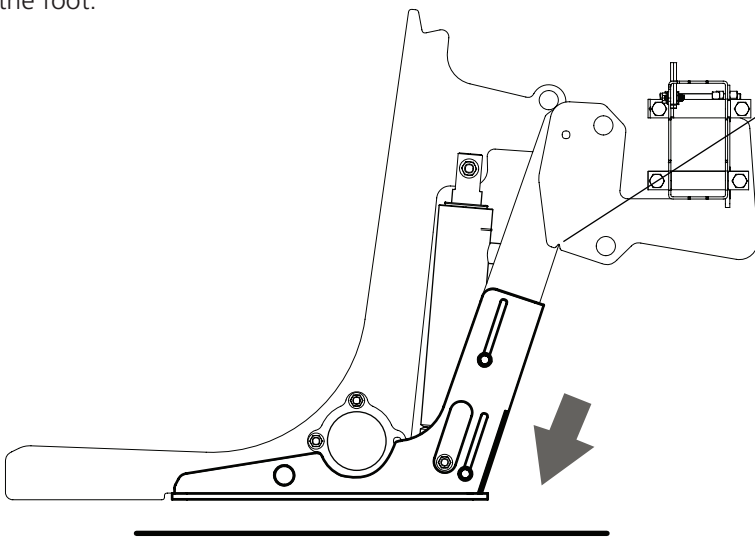
## Adjusting chain tension

Adjust the chain tension by undoing the screws holding the guide bar, then tighten up the chain using a breaking bar. Then re-tighten the screws.







## Adjusting log loader foot






In order for the log loader to work, the foot must be adjusted so that it provides support against the ground. Undo the screws and drop the foot down, check the angle of the leg against the marking, and then secure the foot.



When the leg touches the lowest point of the marking, the leg is at the right angle.

# FIRST START-UP

-  **Warning! Fire risk. Hydraulic oil is flammable, do not perform hot work in the vicinity of hydraulic components and equipment.**
-  **Warning! Pinch risk. Do not remain within the work area when the hydraulic cylinders are loaded.**
-  **Warning! Cuts. Never handle pressurized hydraulic hoses, oil from a pressurized hose can penetrate the skin and cause serious injury.**
-  **Warning! Burn injuries. Allow the equipment to cool down before working with hydraulic units and hoses. The hydraulic oil can reach high temperatures during use.**

-  Handle hydraulic hoses and couplings carefully during assembly and maintenance work. Avoid sharp bends on hydraulic hoses. Sharp bends damage the hoses and increase the risk of breakdown.
-  Do not lift or handle hydraulic equipment connected to the hoses or couplings.
-  Always use hydraulic oil prescribed by Logosol when working with the equipment.
-  Always wipe up any spillage of hydraulic oil from the product and the working area. Residual hydraulic oil constitutes a slip hazard to users.
-  Always use absorbent cloths beneath the equipment when working with the machine.

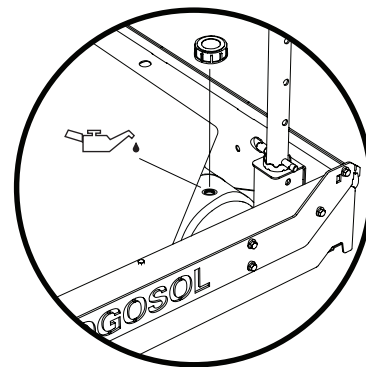
## First start-up

When all assembly and connections are completed, check that all couplings on the machine are properly tightened. Then fill the tank with oil.

Then start the hydraulic pump and run one function at a time, it may take a little while for the oil to fill the system and force the air out. Place absorbent cloth beneath the couplings for each function that is started up. Check the tightness of the couplings.

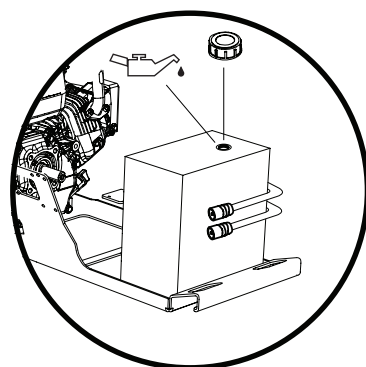
It might be necessary to refill with oil several times before there is oil in the entire system. Be careful not to run the oil tank empty while filling the hydraulic hoses. If the tank becomes empty, a lot of air enters the system and it then takes longer than necessary before it is forced out.

If the pump is not activated in connection with start-up, check that the pump's coupling is not phase-inverted.



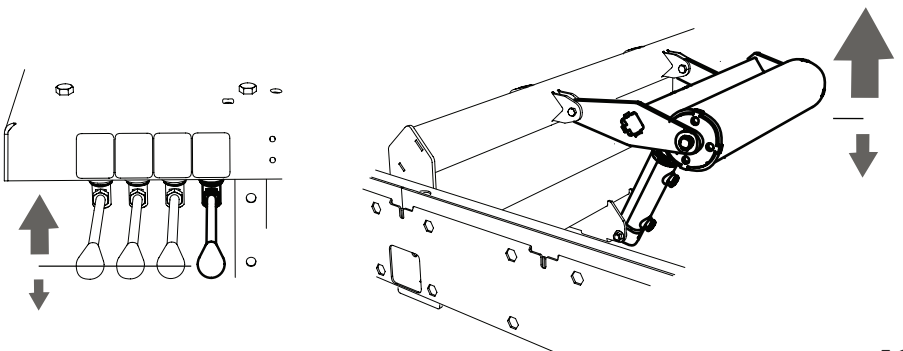
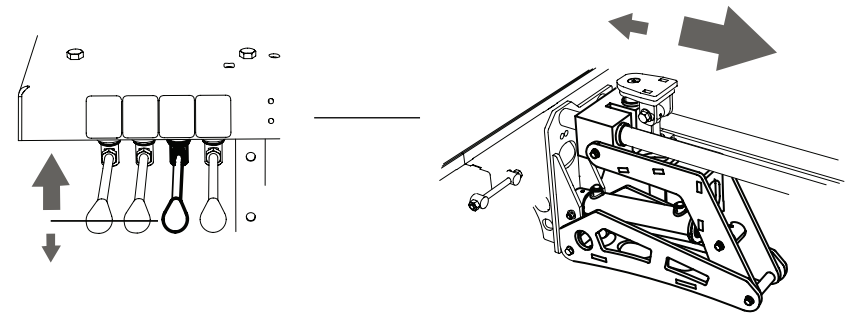
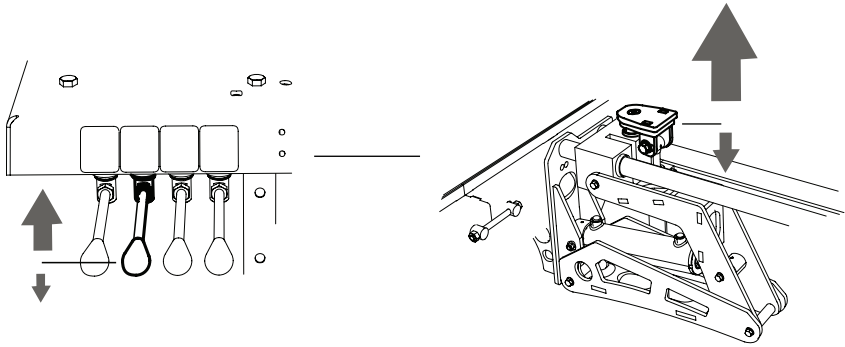
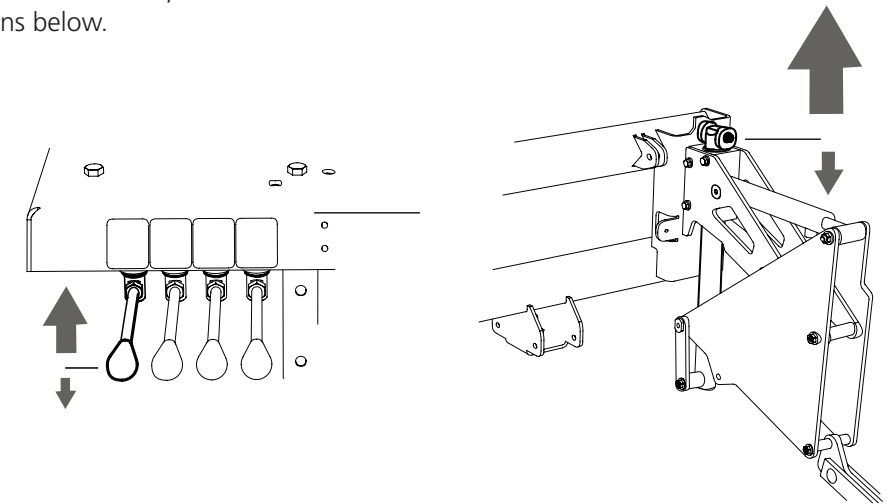
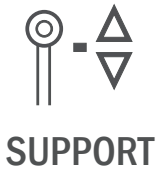
### Hydraulic oil

Hydraulic oil:  
(ISO VG 32)

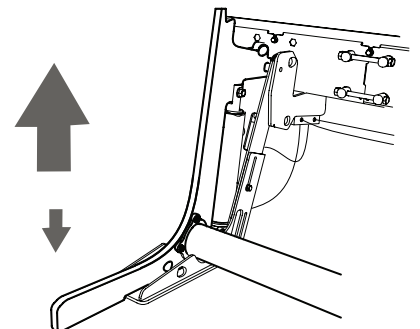
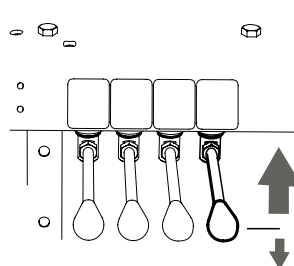
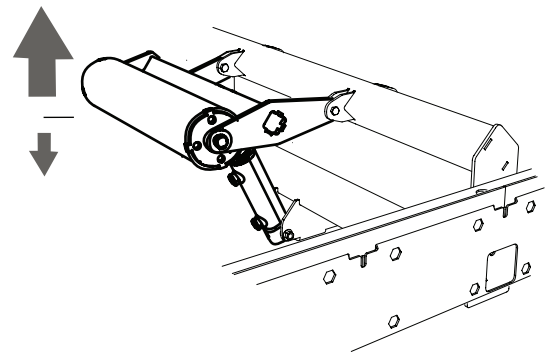
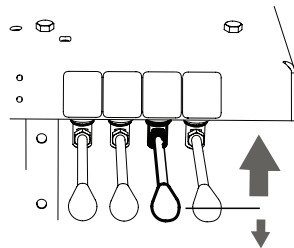
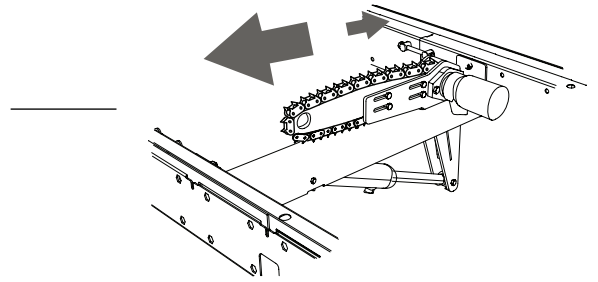
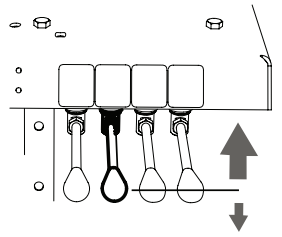
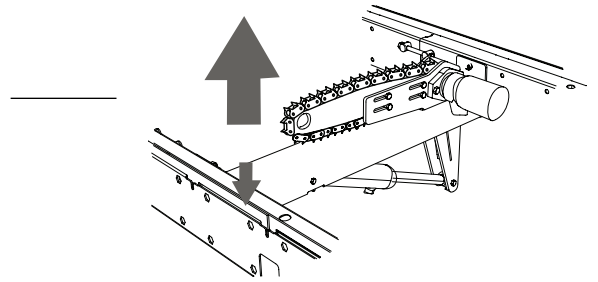
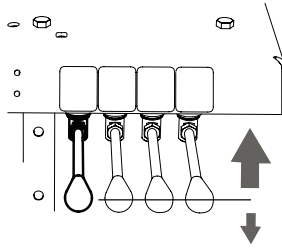
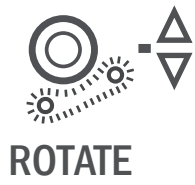


# USE

If the functions have been connected as described, the function shall be as in the illustrations below.



# USE



# TRANSPORT

## Transporting the machine

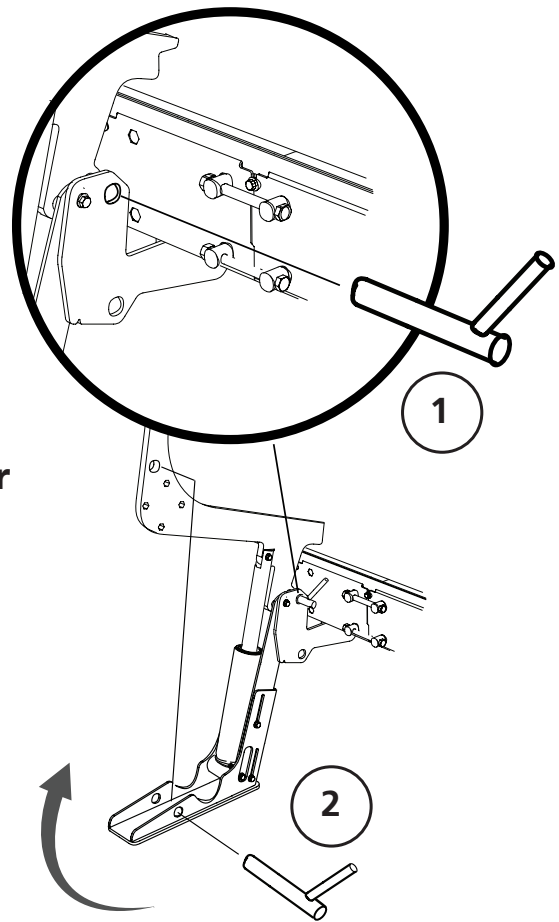
If the machine has a trailer kit and is to be transported, check that everything on the machine is secure. The following hydraulic functions must be placed in transport position before transportation. Before transportation, make sure that there will not be any collisions between the functions.

## Transport position for the log loader

The log loaders must be placed in the transport position before the sawmill can be transported. Start by putting the loaders in their top position, secure the lifting arms (1).

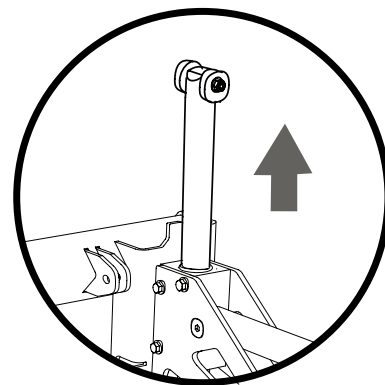
Then lift the log loader foot using the hydraulic lever. Then secure the foot in the log lift arm (2), note that the Foot needs to be in its top position in the adjusting grooves.

**!** Note that the saw head's blade tensioning arm must be positioned so that the T-handle is parallel to the rails so as not to collide with the log loader in transport position.



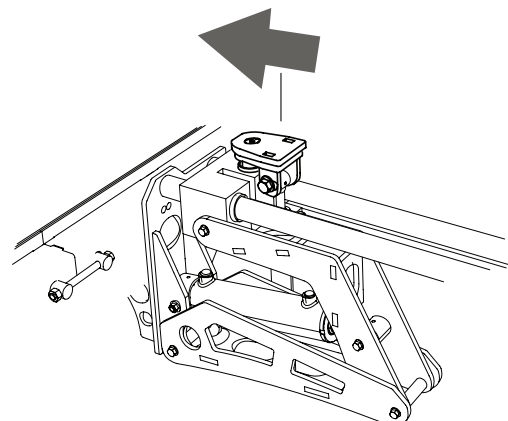
## Transport position for the log supports

The log supports must be placed in the top position during transport, otherwise there is insufficient ground clearance and there is a risk of damaging the machine.



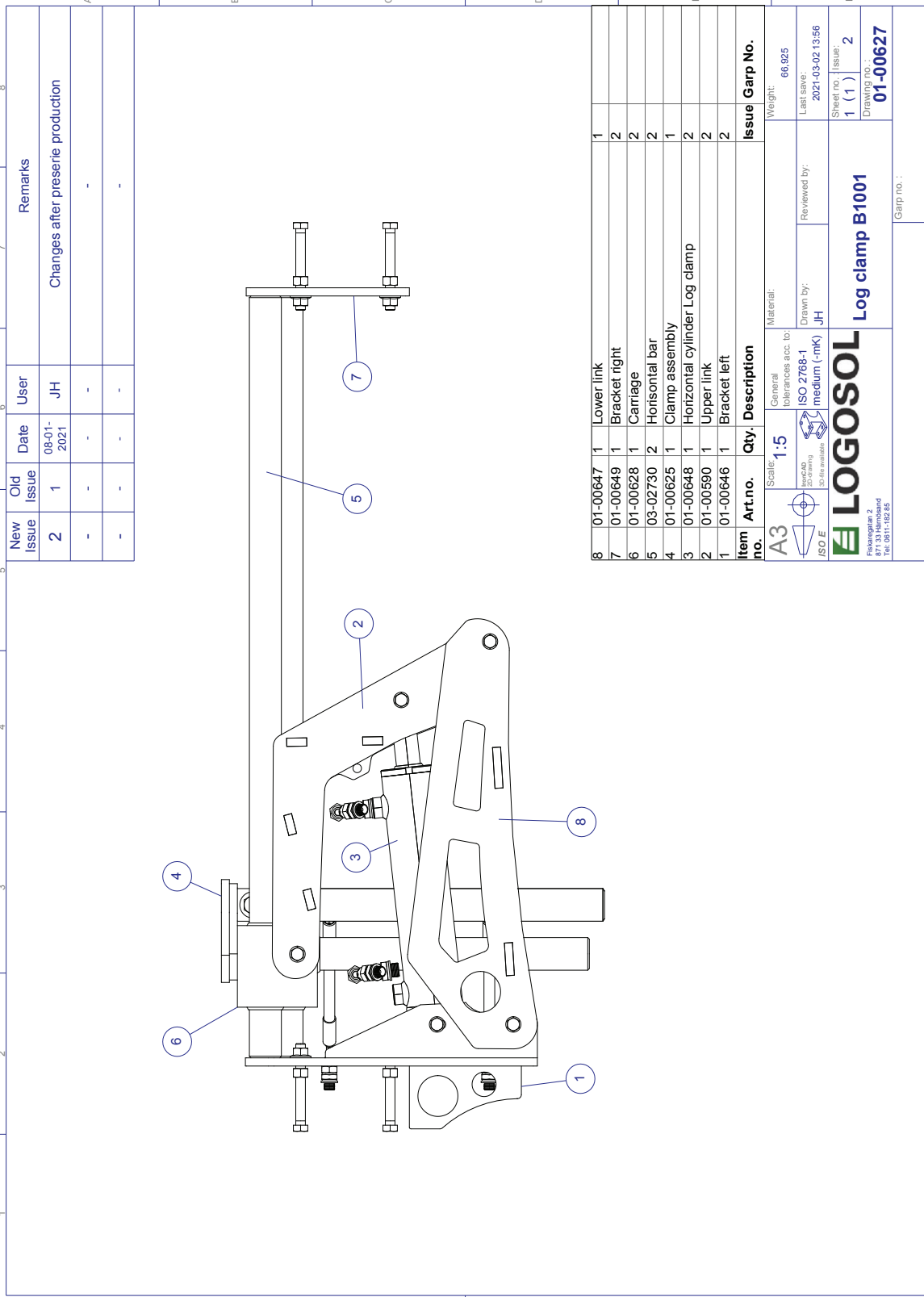
## Transport position of log clamp

The log clamp must be placed in its innermost position before transport in order to maximise ground clearance.





01-00627



New Issue	Old Issue	Date	User	Remarks
2	1	08-01-2021	JH	Changes after preserie production
-	-	-	-	-
-	-	-	-	-

Item no.	Art.no.	Qty.	Description	Issue	Garp No.
8	01-00647	1	Lower link	1	
7	01-00649	1	Bracket right	2	
6	01-00628	1	Carriage	2	
5	03-02730	2	Horizontal bar	2	
4	01-00625	1	Clamp assembly	1	
3	01-00648	1	Horizontal cylinder Log clamp	2	
2	01-00590	1	Upper link	2	
1	01-00646	1	Bracket left	2	

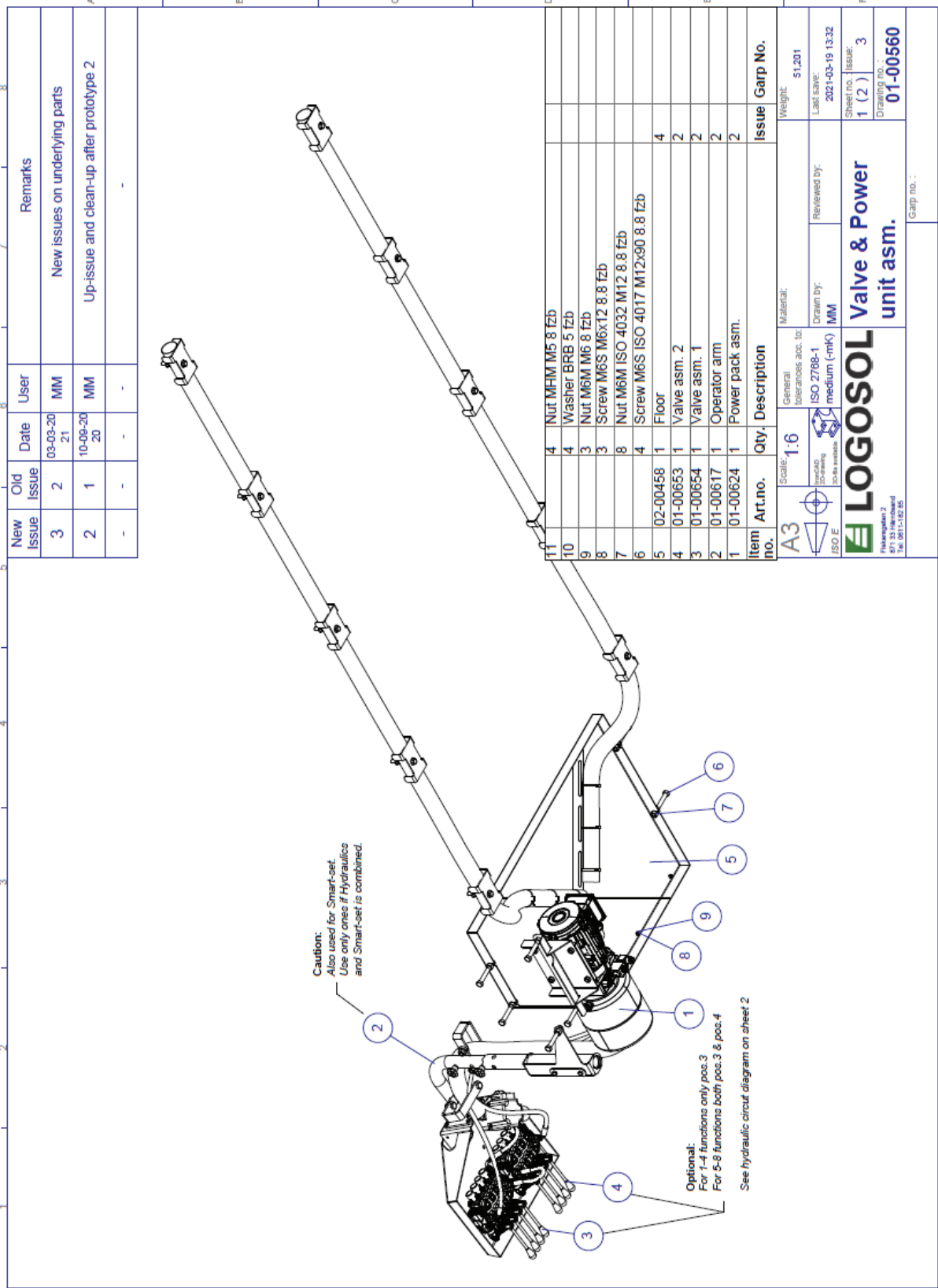
	Scale: 1:5	Material: 66.925
	General tolerances acc. to: ISO 2768-1 medium (-mk)	Weight: 66.925
	Drawn by: JH	Reviewed by:
	<b>Log clamp B1001</b>	
Fabriksgatan 2 161 0531-182 85	Garp no.: 01-00627	

This document and its contents are the exclusive property of Logosol AB and may not be copied, reproduced, transmitted or communicated to a third party or used for any purpose without written permission.





01-00560



New Issue	Old Issue	Date	User	Remarks
3	2	03-03-20 21	MM	New issues on underlying parts
2	1	10-06-20 20	MM	Up-issue and clean-up after prototype 2
-	-	-	-	-

Item no.	Art.no.	Qty.	Description	Issue	Garp No.
11	4	4	Nut M6M M5 8 Tzb		
10	4	4	Washer BRB 5 Tzb		
9	3	3	Nut M6M M6 8 Tzb		
8	3	3	Screw M6S M6x12 8.8 Tzb		
7	8	8	Nut M6M ISO 4032 M12 8.8 Tzb		
6	4	4	Screw M6S ISO 4017 M12x90 8.8 Tzb		
5	02-00458	1	Floor	4	
4	01-00653	1	Valve asm. 2	2	
3	01-00654	1	Valve asm. 1	2	
2	01-00617	1	Operator arm	2	
1	01-00624	1	Power pack asm.	2	

<b>A3</b> Scale: 1:6 General tolerances acc. to: ISO 2768-1 medium (-mk) ISO E 3D-Modelling 3D-Druckwerk	Drawn by: <b>MM</b>	Reviewed by: <b>Valve &amp; Power unit asm.</b>	Weight: 51,201
	<b>LOGOSOL</b> 471 33 33 33 Tel: 081-1 82 85	Drawing no.: <b>01-00560</b>	Sheet no.: Issue: <b>1 (2) 3</b>

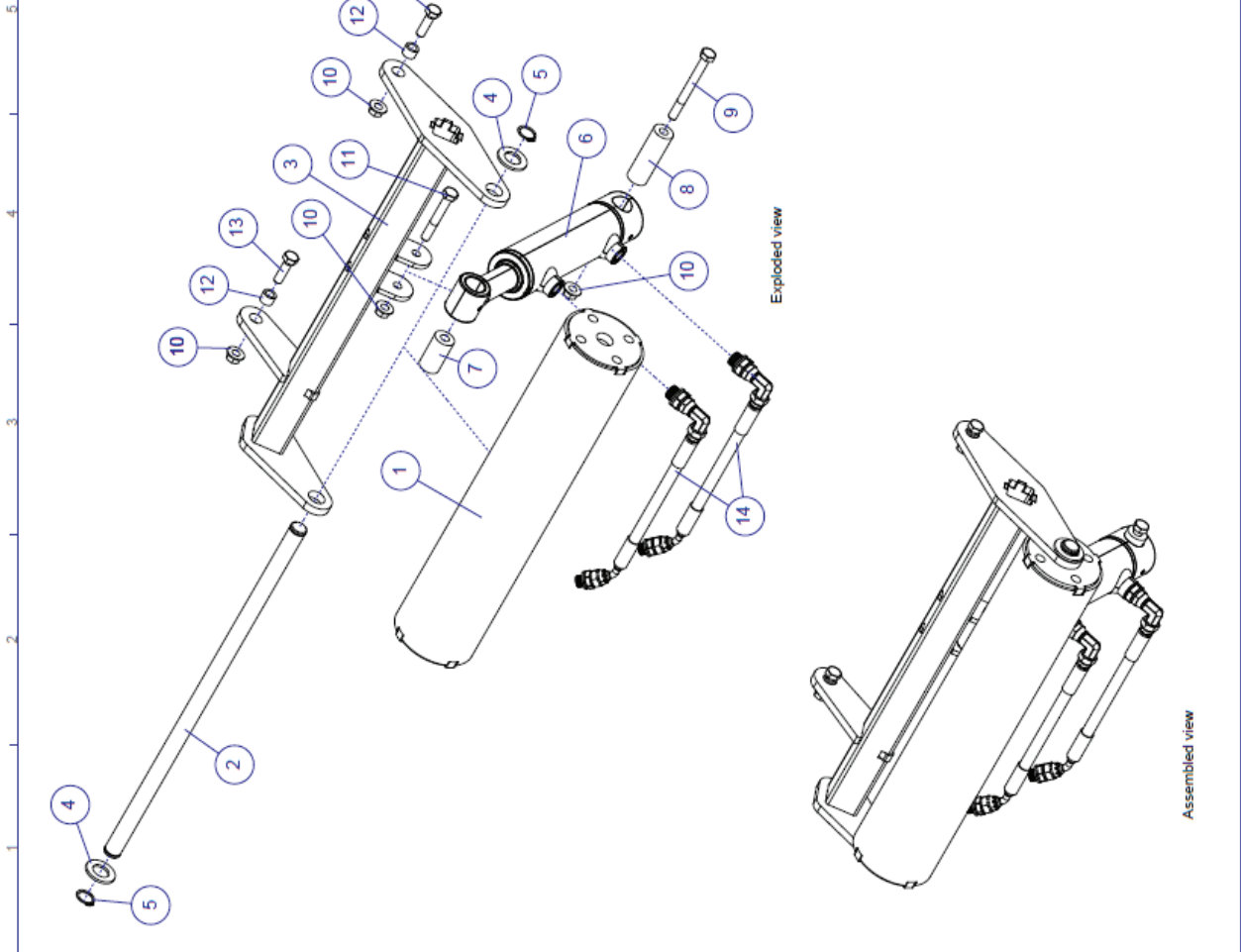
This document and its contents are the exclusive property of Logosol AG and may not be copied, reproduced, transmitted or communicated in any form or by any means without written permission.

This document is a design drawing. It is not intended for production. It is not to be used for the manufacture of parts or assemblies. It is not to be used for the assembly of parts or assemblies. It is not to be used for the assembly of parts or assemblies.



01-00556

New Issue	Old Issue	Date	User	Remarks
-	-	-	-	-
-	-	-	-	-
-	-	-	-	-



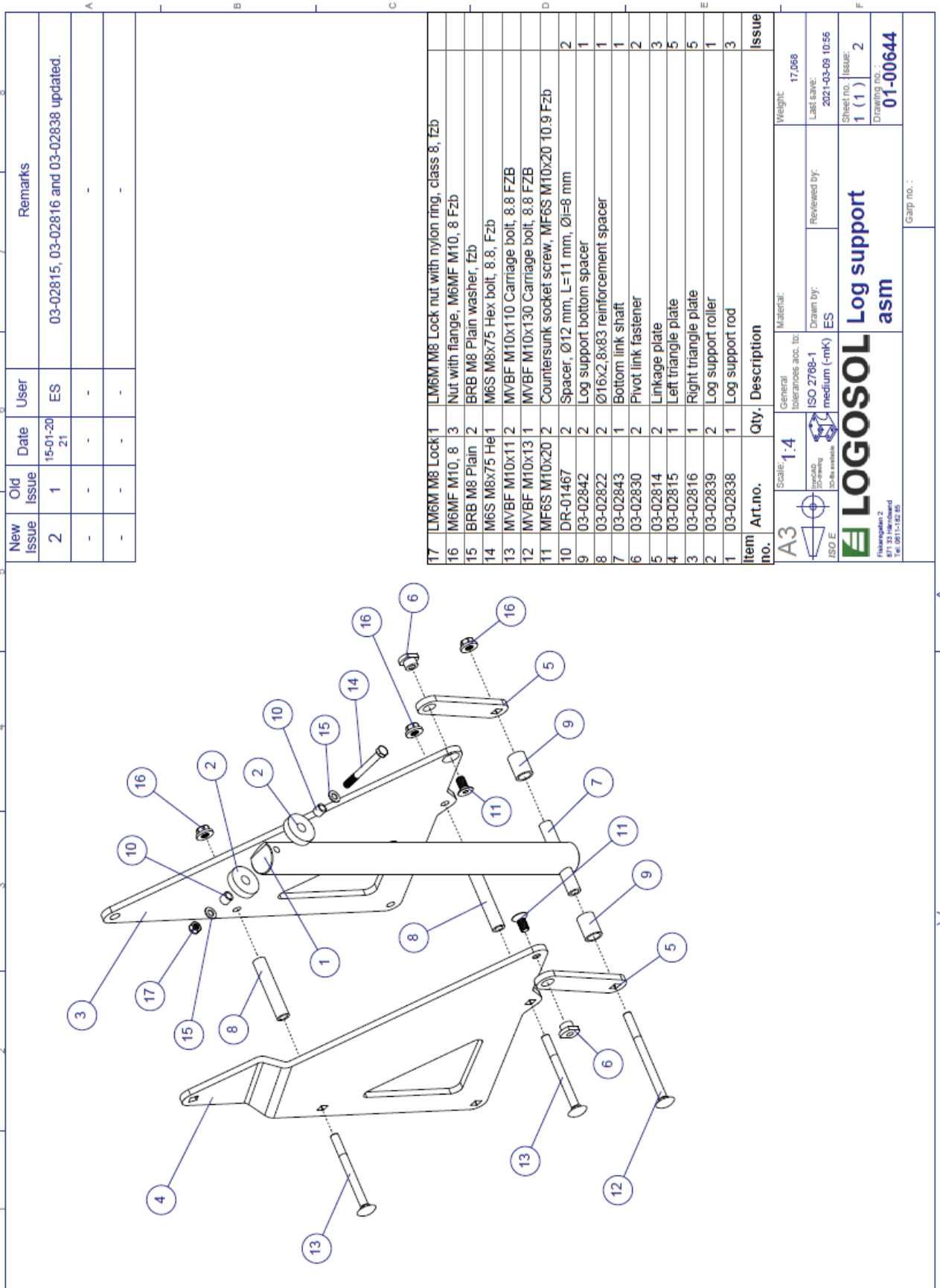
Art.no.	Qty.	Description	Issue
04-00440	1	Toe board	2
M6S M10x35	2	Sexkantsskruv	
03-02926	2	Spacer 16x2 8	1
M6S M10x70	1	Sexkantsskruv	
M6MF M10	4	Flänsmutter	
M6S M10x100	1	Sexkantsskruv	2
03-02878	1	Ø25x7	2
03-02898	1	Ø25x7	2
04-00428	1	Jötek 702/1 HYDRAULCYLINDER DUBBELVERKANDE 21	
	2	Retaining ring SGA 20	
BRB 20	2	Plänbricka	
02-00483	1	Toeboard arm	1
03-03041	1	Axle Ø20x540	2
02-00485	1	Log roller	1

Scale: 1:5  
 General tolerances acc. to ISO 2768-1 medium (-mK)  
 Material: 12.296  
 Weight: 12,296  
 Drawn by: MM  
 Reviewed by:  
 Last save: 2021-03-22 13:22  
 Sheet no.: 1 (1)  
 Issue: 1  
**LOGOSOL**  
 Hydraulisk  
 toeboard 1  
 Drawing no.: 01-00673  
 Gaip no.:





01-00644



New Issue	Old Issue	Date	User	Remarks
2	1	15-01-2021	ES	03-02815, 03-02816 and 03-02838 updated.
-	-	-	-	-
-	-	-	-	-

Item no.	Art.no.	Qty.	Description	Issue
17	LM6M M8 Lock1	1	LM6M M8 Lock nut with nylon ring, class 8, Fzb	
16	M6MF M10, 8	3	Nut with flange, M6MF M10, 8 Fzb	
15	BRB M8 Plain	2	BRB M8 Plain washer, Fzb	
14	M6S M8x75 Hel1	1	M6S M8x75 Hex bolt, 8.8, Fzb	
13	MVBF M10x11	2	MVBF M10x11 Carriage bolt, 8.8 FZB	
12	MVBF M10x13	1	MVBF M10x13 Carriage bolt, 8.8 FZB	
11	MF6S M10x20	2	Countersunk socket screw, MF6S M10x20 10.9 Fzb	
10	DR-01467	2	Spacer, Ø12 mm, L=11 mm, ØI=8 mm	2
9	03-02842	2	Log support bottom spacer	1
8	03-02822	2	Ø16x2.8x83 reinforcement spacer	1
7	03-02843	1	Bottom link shaft	1
6	03-02830	2	Pivot link fastener	2
5	03-02814	2	Linkage plate	3
4	03-02815	1	Left triangle plate	5
3	03-02816	1	Right triangle plate	5
2	03-02839	2	Log support roller	1
1	03-02838	1	Log support rod	3

	Scale: 1:4	Material:	Weight: 17,068
	General tolerances acc. to: ISO 2768-1 medium (-mk)	Material: 2024-Alu anodized	Reviewed by:
		Drawn by: ES	Last save: 2021-03-09 10:56
<b>LOGOSOL</b> Fabrikanten 2 871 53 Hainbühl Tel. 0811-152 85		<b>Log support asm</b> Sheet no. Issue: 1 (1) 2 Drawing no.: 01-00644 Garp no.:	



01-00642

New Issue	Old Issue	Date	User	Remarks
4	3	11-11-20 21	MM	Made a new part nr. for what we assemble in production
3	2	09-03-20 21	ES	02-00445 updated to issue 4. Added 03-02970.
2	1	15-01-2 021	ES	02-00445 updated.

Exploded view

Assembled view

Item no.	Art.no.	Qty.	Description	Issu e
9	03-03293	1	Excenter	1
8		1	Washer BRB M8 fzb	
7		5	Screw MF6M M8 8 Fzb	
6		2	Screw MF6S M12x25 10.9 Fzb	
5		2	Screw M6SF M8x16 8.8 fzb	
4		5	Screw M6SF M8x20 8.8 fzb	
3	03-02820	1	Threaded spacer	1
2	01-00769	1	Log support guide asm.	1
1	02-00445	1	Main frame weld asm	4

A3	Scale: 1:4	Material: General tolerances acc. to: ISO 2768-1 medium (-mk)	Material: 7,688	Weight: 7,688
			Drawn by: MM	Reviewed by:
<b>LOGOSOL</b>			<b>Log support guide asm</b>	
<small>Fläkaregatan 2 871 33 Hälsostrand Tel: 0811-182 85</small>			Sheet no.   Issue: <b>1 (1)   4</b> Drawing no.: <b>01-00641</b>	
			Garip. no.:	

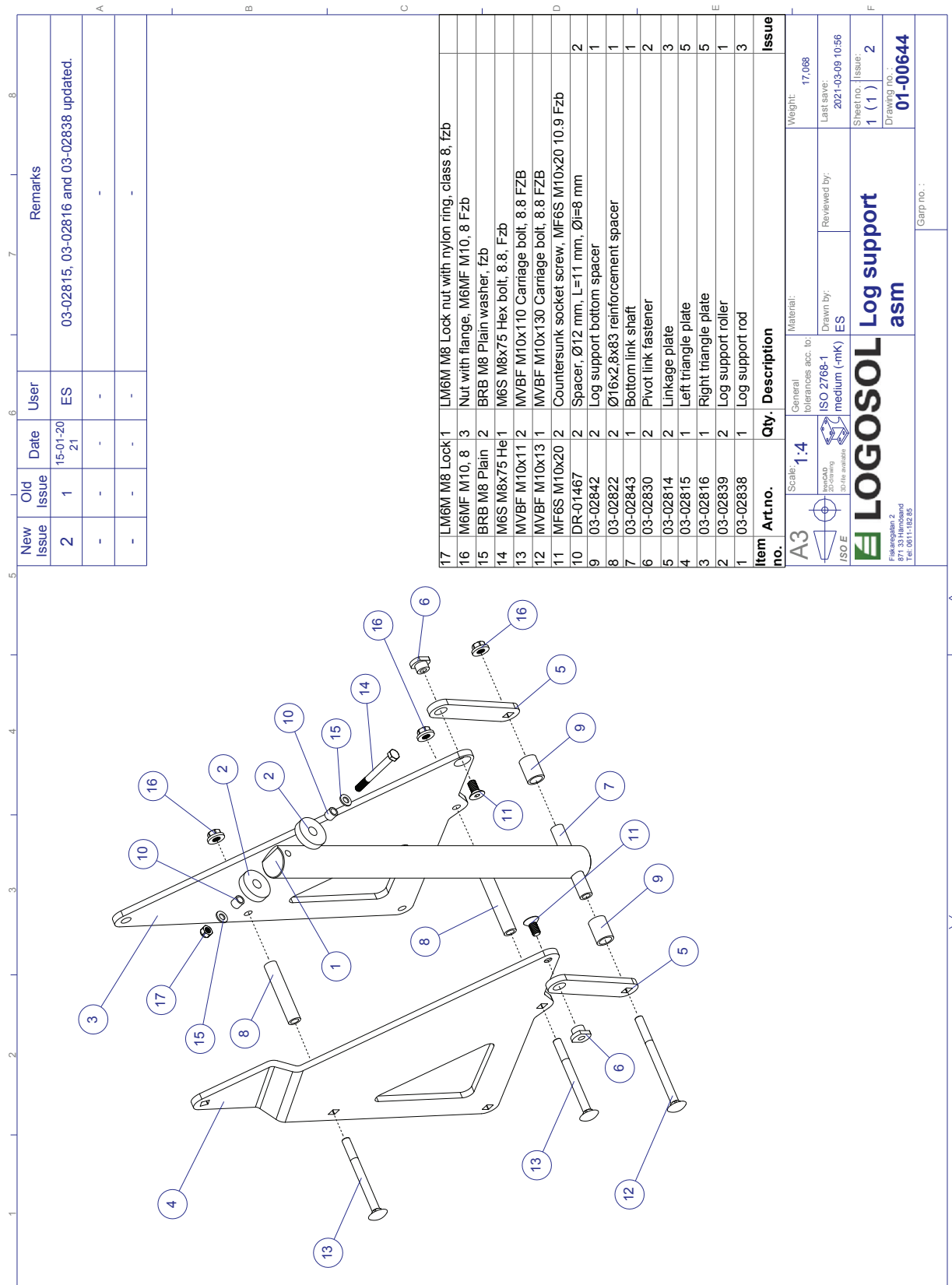
Detta dokument och dess innehåll är förbehållna för Logosol AB. Innehållet får ej kopieras, reproduceras, överföras eller spridas till tredje part, eller användas för syften som ej skriftligen godkänns. This document and its contents are the exclusive property of Logosol AB and may not be copied, reproduced, transferred or communicated to a third party, or used for any purpose without written permission.



01-00644

This document and its contents are the exclusive property of Logosol AB and may be copied, reproduced, transmitted or communicated to a third party or used for any purpose without written permission.

Den här dokumentet och dess innehåll är Logosol AB:s exklusiva egendom och får inte kopieras, reproduceras, överföras eller spridas till tredje part, eller användas för syften som ej skiljning godkänns.



New Issue	Old Issue	Date	User	Remarks
2	1	15-01-20 21	ES	03-02815, 03-02816 and 03-02838 updated.
-	-	-	-	-
-	-	-	-	-

Item no.	Art.no.	Qty.	Description	Issue
17	LM6M M8 Lock 1	1	LM6M M8 Lock nut with nylon ring, class 8, fzb	
16	M6MF M10, 8	3	Nut with flange, M6MF M10, 8 Fzb	
15	BRB M8 Plain	2	BRB M8 Plain washer, fzb	
14	M6S M8x75 He1	1	M6S M8x75 Hex bolt, 8.8, Fzb	
13	MVBF M10x11	2	MVBF M10x11 Carriage bolt, 8.8 FZB	
12	MVBF M10x13	1	MVBF M10x13 Carriage bolt, 8.8 FZB	
11	MF6S M10x20	2	Countersunk socket screw, MF6S M10x20 10.9 Fzb	
10	DR-01467	2	Spacer, Ø12 mm, L=11 mm, Øj=8 mm	2
9	03-02842	2	Log support bottom spacer	1
8	03-02822	2	Ø16x2.8x83 reinforcement spacer	1
7	03-02843	1	Bottom link shaft	1
6	03-02830	2	Pivot link fastener	2
5	03-02814	2	Linkage plate	3
4	03-02815	1	Left triangle plate	5
3	03-02816	1	Right triangle plate	5
2	03-02839	2	Log support roller	1
1	03-02838	1	Log support rod	3

**Scale:** 1:4  
 General tolerances acc. to: ISO 2768-1 medium (m-k)  
 3D file available

**Material:** Weight: 17,068  
 Last save: 2021-03-08 10:56  
 Drawn by: ES  
 Reviewed by:

**LOGOSOL**  
 Filskogsgatan 2  
 871 33 Himostrand  
 Tel: 0871-122 88

**Log support**  
**asm**

Sheet no.: Issue: 1 (1) 2  
 Drawing no.: 01-00644  
 Grupp no.:



01-00672

New Issue	Old Issue	Date	User	Remarks
2	1	08-03-2021	ES	03-03036 and 03-03038 updated. More screws added.
-	-	-	-	-
-	-	-	-	-

Item no.	Art.no.	Qty.	Description	Issue
7	MVBF M10x112	1	MVBF M10x110 Carriage bolt, 8.8 Fzb	
6	MF6M M10 Nut10	1	MF6M M10 Nut with flange, class 8, fzb	
5	M6SF M10x50 8	4	M6SF M10x50 Hex bolt with flange, 8.8 fzb	
4	03-02834	1	Cylinder top spacer	
3	03-02822	2	Ø16x2,8x83 reinforcement spacer	
2	03-03036	2	Motion link pipe	
1	03-03038	2	Motion link joint	

A3	Scale: 1:10	Material: 10.688
	General tolerances acc. to: ISO 2768-1 medium (m/k)	Weight: 10.688
ISO E	Drawn by: ES	Reviewed by:
LOGOSOL	motion transfer link	
Frankfurt 2	Sheet no. 1 (1)	
01-00672	Issue: 2	
08-03-2021	Drawing no. 01-00672	
	Stamp no.:	

**Note:**  
Sharp edges broken

**Surface treatment:**  
No surface treatment

This document is the property of LOGOSOL. It is not to be copied, reproduced, distributed or otherwise used in any way without written permission. All rights reserved. © LOGOSOL 2021

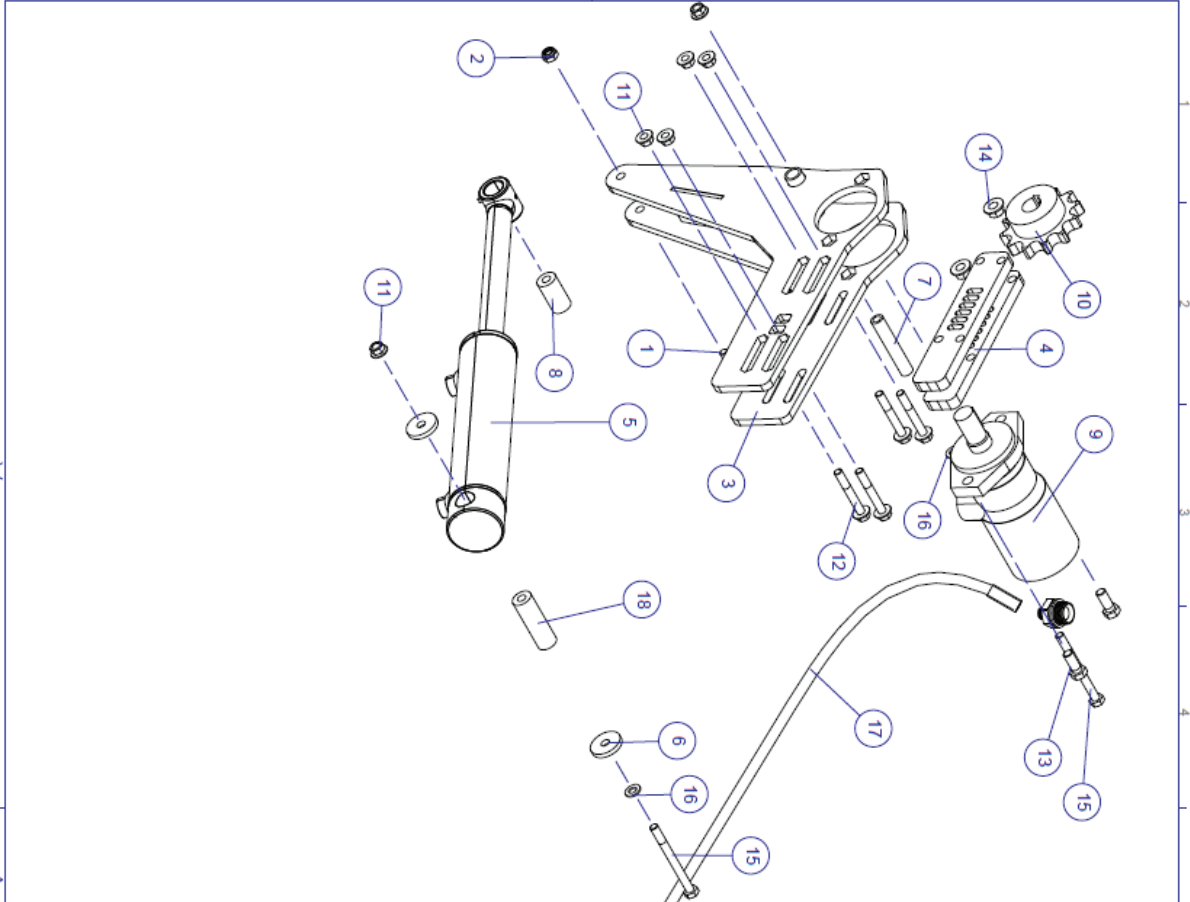




01-00634

Detta dokument och dess innehåll tillhör Logosol AB.  
Innehåll får ej kopieras, reproduceras, överföras eller utvärderas  
utöver vad som är avsett för system som är utrustade med denna utrustning.

This document and its contents are the exclusive property of Logosol AB  
and may not be copied, reproduced, transmitted or communicated to a  
third party, or used for any purpose without written permission.



Issue	Old Issue	Date	User	Remarks
4	2	09-05-20	MS	New rev before serial production
2	1	19-03-20	MS	Prototyp 3
-	-	-	-	-

Item no.	Art.no.	Qty.	Description	Issue
18	03-02878	1	Ø25x7	3
17	04-00477	1	Log rotator (rotate) asm.	2
16	BRB 10	2	Washer	2
15	M6S M10x110	2	Hexscrew	2
14	M6MF M12	2	Flangrenut	2
13	M6S M12x30	2	Hexscrew	2
12	M6SF M10x70	4	Flangescrew M6SF DIN 6921	2
11	M6MF M10	6	Flangrenut	1
10	04-00437	1	Sprocket-116-12-S, Ramström	1
9	04-00436	1	Pmc hydraulics MP3150CDP art.nr 1028864	1
8	03-02898	1	Ø25x7	4
7	03-02894	1	Spacer 16x2,8	4
6	03-02893	2	Cylinder spacer	4
5	04-00438	1	Jotek HFR 60/30-200	1
4	03-02895	2	Sword shim 15mm	5
3	02-00463	1	Rotator arm	4
2	Lock nut M10	1	Lock nut M10	4
1	M6S M10x75	1	Hex screw M10x75	4

**A3** Scale: 1:5  
 ISO 2768-1 medium (-mk)  
 ISO E  
 Material: 42.714  
 Drawn by: MS  
 Reviewed by:  
 Weight: 42.714  
 Label date: 2021-05-10 14:48  
 Sheet no: 1 (1)  
 Issue: 4  
 Drawing no.: 01-00634  
 Comp no.:  
**LOGOSOL**  
 Rotating arm assembly

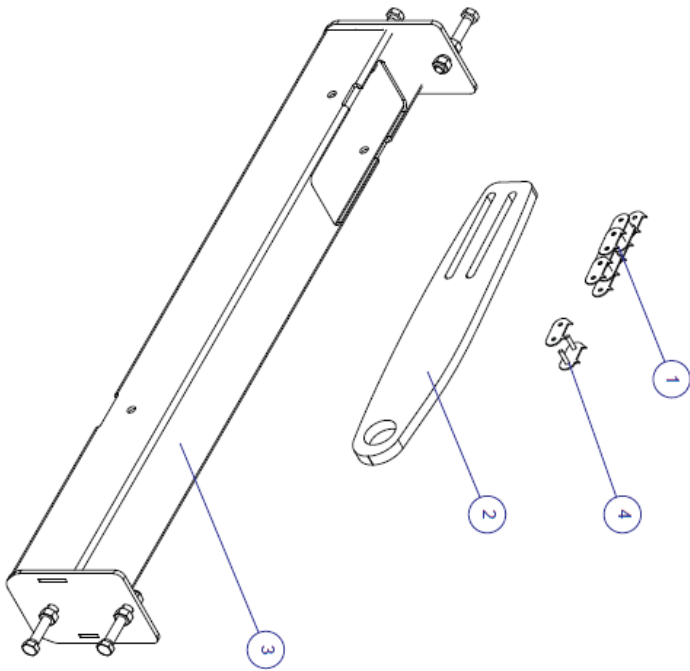




01-00692

Detta dokument och dess innehåll tillhör Logosol AB.  
Innehållet får ej kopieras, reproduceras, distribueras eller vidareföras till tredje part, eller användas för syften som ej skrivligen godkänns.

This document and its contents are the exclusive property of Logosol AB and may not be copied, reproduced, transmitted or communicated to a third party, or used for any purpose without written permission.



**Note:**  
Sharp edges broken

**Surface treatment:**  
No surface treatment

New Issue	Old Issue	Date	User	Remarks
-	-	-	-	-
-	-	-	-	-
-	-	-	-	-

Item no.	Art.no.	Qty.	Description	Issue
4	04-00554	1	Ramströms Rak kopplingslänk nr 30, 1", 16B-1-TZ9-30	1
3	01-00652	1	Hydraulic rotator cassette assembly B1001	1
2	03-02896	1	Guidebar-B1001	3
1	04-00435	1	Ramströms- 16B-1-TZ9 (Chain length, 53 links for B1001)	1

<b>A3</b> Scale: 1:5 General tolerances acc. to: ISO 2798-1 medium (-mk)		Material: Drawn by: MS Reviewed by:		Weight: 16,085 Label save: 2021-05-10 14:36	
(Cassette+Sword+Chain)		<b>B1001</b> Drawing no.: 01-00692		Sheet no.: 1 (1) Issue: 1	
ISO E Order ref.:		Drawing no.: 01-00692		Part no.:	



01-00604

New Issue	Old Issue	Date	User	Remarks
5	4	06-05-2021	MS	New rev before release to serial production.
4	3	16-03-2021	MS	Changed thickness of 02-00471
3	2	09-12-2020	MS	Prototyp 3

Item no.	Art.no.	Qty.	Description	Issue
22	04-00553	2	Kramp (Z525130KR) Pin with handle 25 x130mm (Pin lengt)	6
21	03-02902	1	Log-turmer (turner case)	
20	M6S M12x110	1	Hexscrew	
19	BRB 12	2	Washer	
18	BRB 10	4	Washer	
17	M6SF M10x25	2	Flangescrew M6SF DIN 6921	
16	M6SF M10x30	4	Flangescrew M6SF DIN 6921	
15	Hexscrew M12	2	Hexscrew M12x90 ISO 4017 (NV18)	
14	Hexnut M12 IS4	4	Hexnut M12 ISO 4017 (NV18)	
13	M6S M10x20	4	Hexscrew	
12	M6S M12x130	1	Hexscrew	
11	M6MF M10	10	Flangenut	
10	M6SF M12x55	1	Flangescrew M6SF DIN 6921	
9	M6MF M12	3	Flangenut	
8	04-00552	1	TUBEX, (Logosol, 0665769601, BM 63/40-200S)	1
7	03-03105	1	Spacer (25x12)	2
6	03-03102	1	Spacer (27x7)	2
5	03-03094	1	Spacer (20x4)	3
4	02-00472	1	Log loading (rail attachment)	4
3	02-00481	1	Log loading fot assembly	3
2	02-00482	1	Torsion beam (weld assembly)	2
1	02-00470	1	Log loading arm weld assembly	5

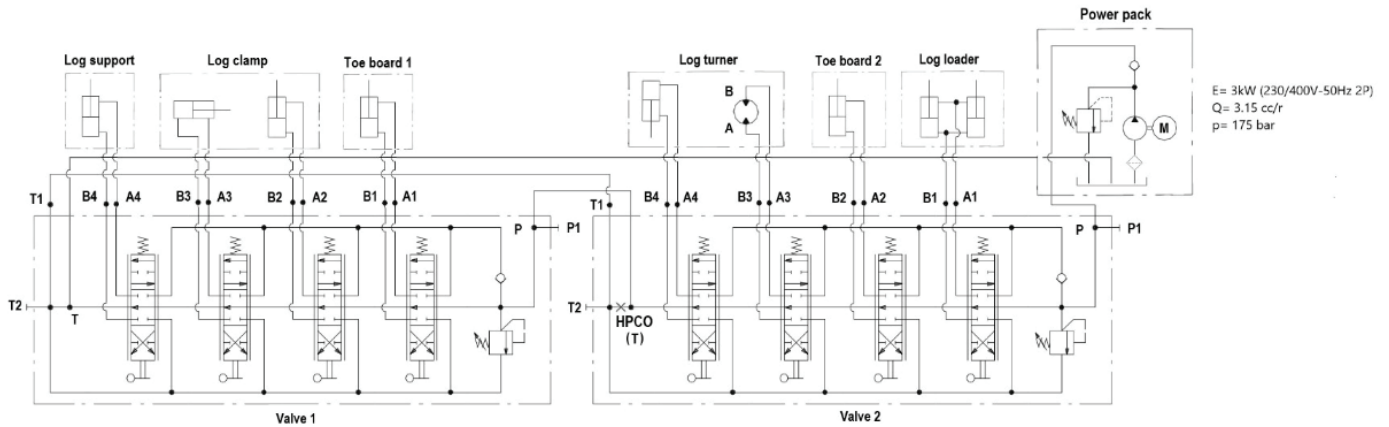
<b>A3</b> Scale: 1:10 General tolerances acc. to ISO 2788-1 medium (-mk)	Material:	Weight: 55,299
	Drawn by: MS	Reviewed by:
<b>LOGOSOL</b> Flakkeplaat 2 8713 Hekelbaard Tel. 0811-182 85		Sheet no. Issue: 1 (1) 5 Drawing no.: 01-00604 Clamp no.:

**Note:**  
Sharp edges broken

**Surface treatment:**  
No surface treatment

# HYDRAULIC DIAGRAM



# TROUBLESHOOTING SCHEDULE

PROBLEM/SYMPOM	PROBABLE CAUSE	ACTION
Nothing happens when you activate the levers	Low oil level in the tank Fuse has tripped Incorrect hose connection on the valve Pump motor runs in the wrong direction (Phase-inverted motor)	Check the oil level and refill if necessary Check fuses in fuse cabinets Check connection has been executed as in the manual. Phase-inverted motor in the coupling.
The pump does not start when the power is turned on	Fuses have tripped Connectors not put together properly	Check fuses check connectors
Oil leaking from the machine	Check whether leaking coupling is tightened Check hoses for leaks	Re-tighten loose couplings Replace damaged hoses
One or more functions are perceived to be under-powered.	Low oil level in the tank Leakage in the system Air in the system Damaged hydraulic cylinder	Check the oil level in the tank Re-tighten loose couplings Replace damaged hoses Run the functions one by one until the air is forced out of the system to the tank Run the piston rod out into its end position, turn off the machine. If there is a lot of play in the piston, the gasket and piston control may be broken.
Functions move jerkily	Low oil level in the tank Leakage in the system Air in the system	Check the oil level in the tank Re-tighten loose couplings Replace damaged hoses Run the functions one by one until the air is forced out of the system to the tank
Sawn blocks are not perpendicular	Log supports not aligned Sawmill not aligned	Adjust the log supports perpendicular to the saw bed Check against alignment sequence in the sawmill manual



## Declaration of Conformity

In accordance with Directive 2006/42/EC, Annex 2A

Logosol AB  
Fiskaregatan 2  
871 33 Härnösand  
SWEDEN

hereby declares that **Logosol Hydraulic B1001/B751**

has been manufactured in conformity with:  
Machinery Directive 2006/42/EC  
EMC Directive 2004/108/EU

and has been manufactured in conformity with the  
following harmonised standards:  
EN ISO 12100:2010  
EN 60204-1:2006  
EN 50370-1, -2.

**Härnösand 2022-03-03**  
**CEO Fredrik Forsberg**

# LOGOSOL

Fiskaregatan 2, 871 33 Härnösand, SWEDEN  
+46 611 182 85 | [info@logosol.com](mailto:info@logosol.com) | [www.logosol.com](http://www.logosol.com)