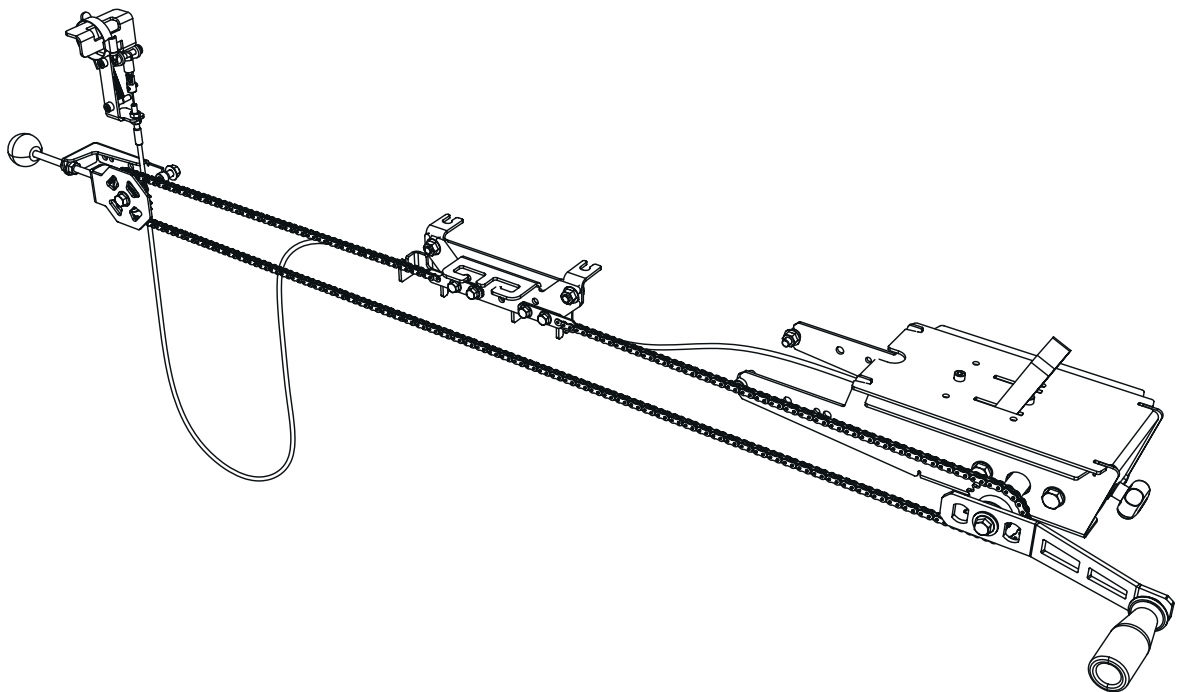


 **LOGOSOL**

# ASSEMBLY INSTRUCTIONS

Part no. 0458-395-0421

REV:1

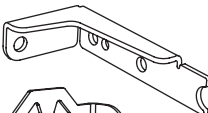
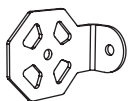


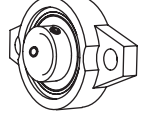
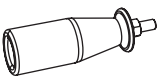

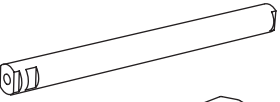

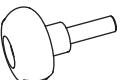

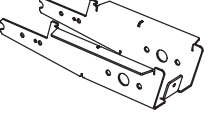

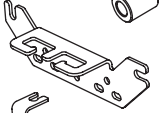
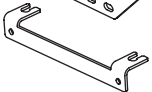
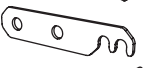





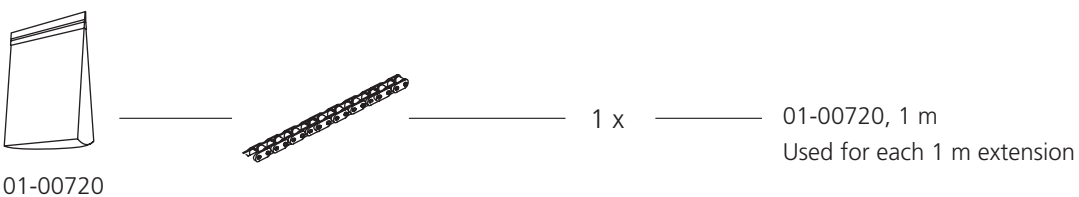
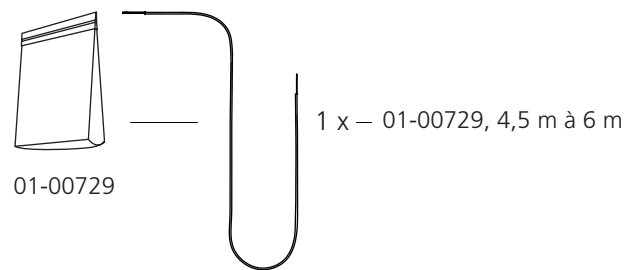
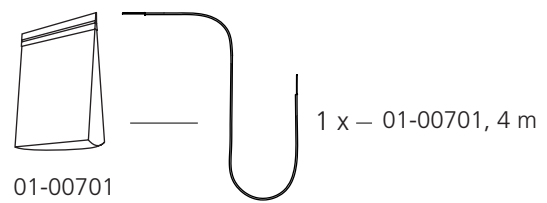
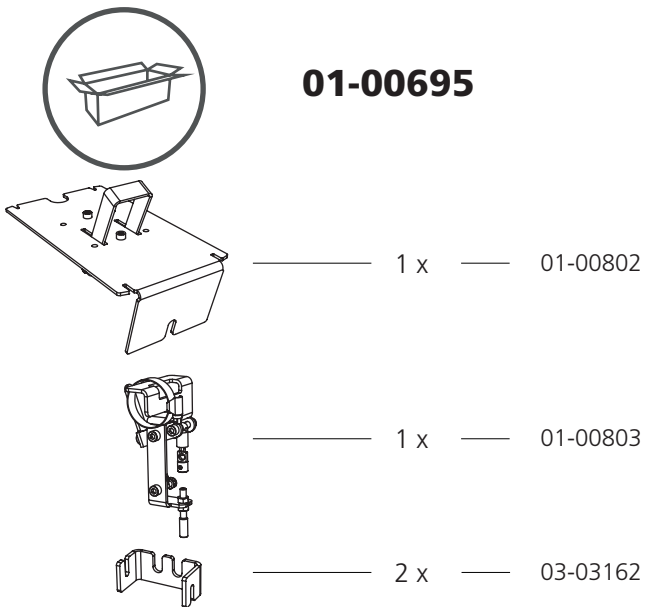
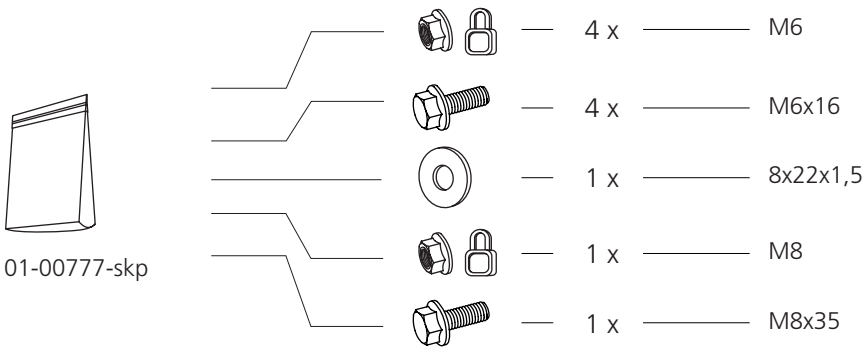
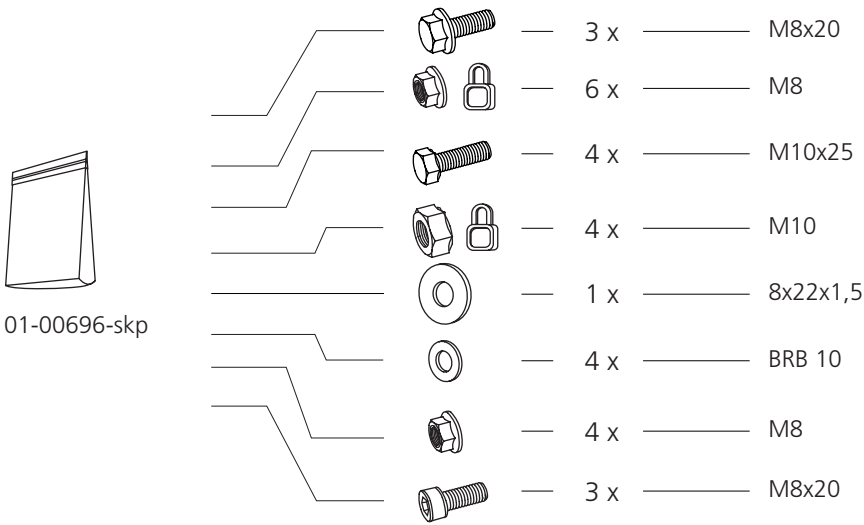
## MANUAL REMOTE FEEDING FOR CHAINSAW

EN



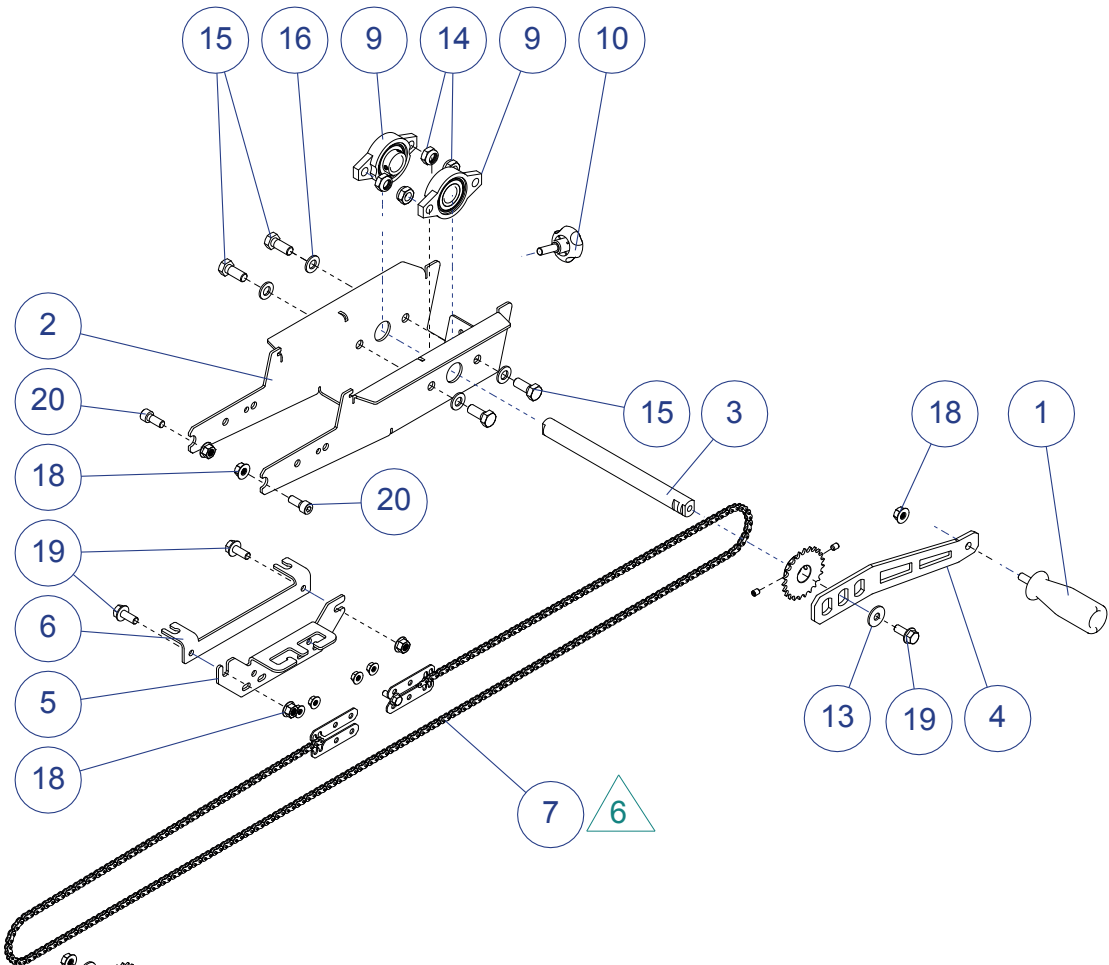
## 01-00696 COMPONENT PARTS

	_____	1 x	_____	03-02832
	_____	1 x	_____	03-03156
	_____	1 x	_____	04-00561
	_____	1 x	_____	03-03158
	_____	2 x	_____	04-00409
	_____	1 x	_____	DS-00169
	_____	1 x	_____	03-03239
	_____	1 x	_____	03-02819
	_____	1 x	_____	03-02813
	_____	1 x	_____	04-00407
	_____	1 x	_____	DK-00110
	_____	1 x	_____	03-02811
	_____	1 x	_____	03-03159
	_____	1 x	_____	03-02797
	_____	1 x	_____	03-02796
	_____	4 x	_____	03-03157
	_____	1 x	_____	01-00697, 4 m
	_____	1 x	_____	01-00696-skp
	_____	1 x	_____	01-00777-skp

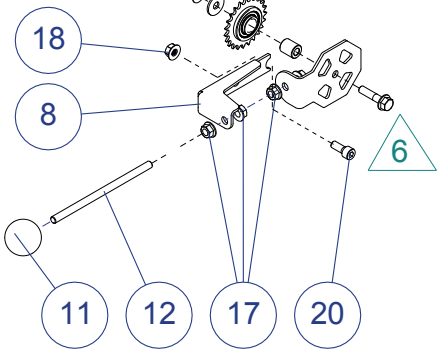




01-00696



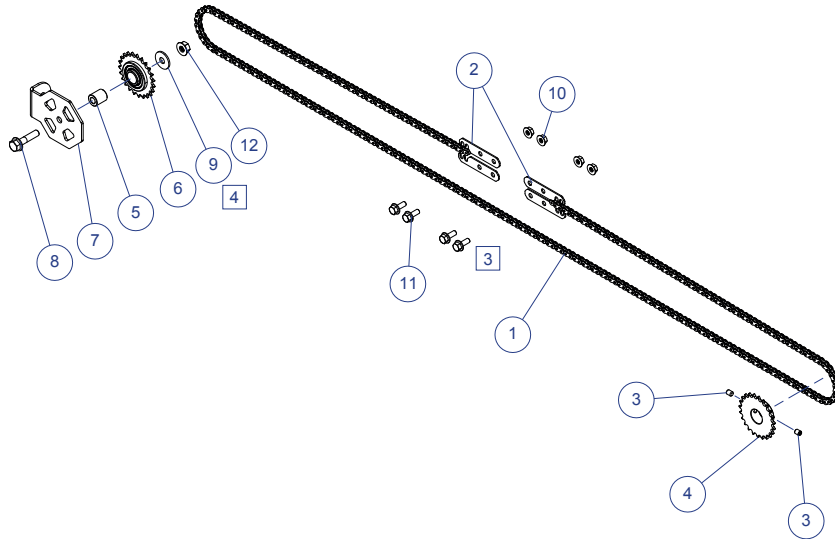
Exploded view



20	MC6S M8x20	3	Allen screw	
19	M6SF M8x20	3	Flange screw M6SF DIN 6921	
18	LM6MF M8 Fzb	6	Nylon lock flange nut Fzb	
17	M6MF M8	4	Flange nut M8 Fzb	
16	BRB 10	4	Washer 10,5x22 t=2 Fzb	
15	M6S M10x25	4	Hex screw M6S Fzb	
14	LM6M M10	4	Hex Nylon Lock Nut Fzb	
13	ISO 4759/3	1	Washer NB 8x22x1,5	
12	03-03239	1	Threaded rod M8x150 8.8 fzb	1
11	DK-00110	1	Endcap WN319 G32-M8	1
10	04-00407	1	Knob M8x25	1
9	04-00409	2	Flanged bearing Ø20 KFL004	1
8	03-02832	1	Turn wheel bracket	1
7	01-00777	1	Manual feed chain kit	4
6	03-02796	1	Bracket	2
5	03-02797	1	Cable & Wire mount	1
4	03-02813	1	Crank handle	1
3	03-02819	1	Crankshaft	1
2	03-02811	1	Chassis	1
1	DS-00169	1	Handle w.out end cap	2
<b>Item no.</b>	<b>Art.no.</b>	<b>Qty.</b>	<b>Description</b>	<b>Issue</b>



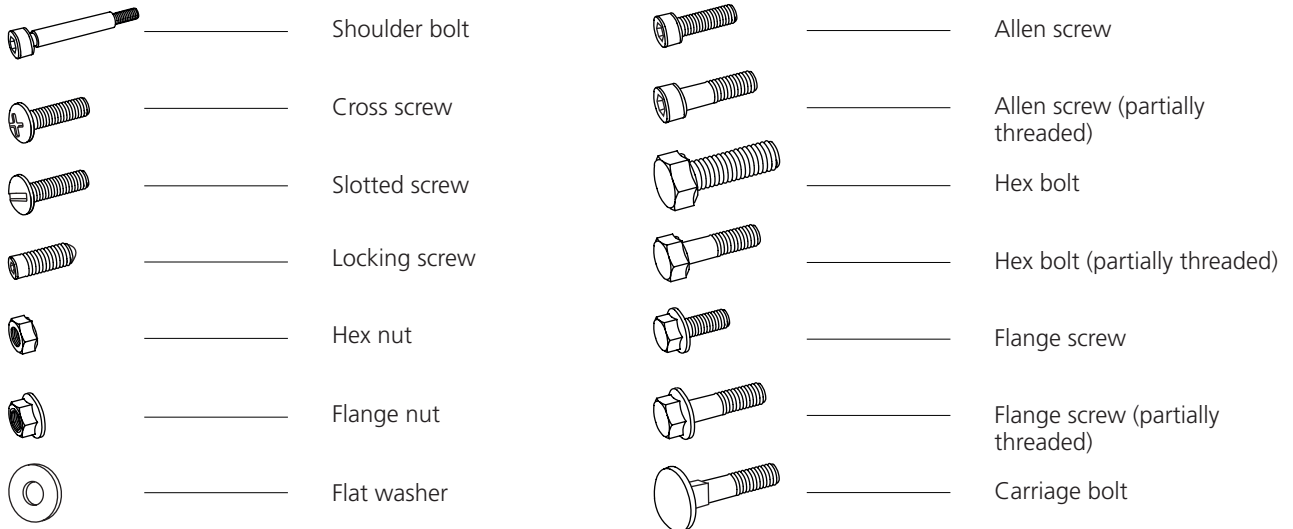
01-00777



12	LM6MF M8 Fzb	1	Nylon lock flange nut Fzb	
11	M6SF M6x16	4	Flänsskruv M6SF DIN 6921	
10	LM6MF M6	4	Nylon lock flange nut Fzb	
9	ISO 4759/3	1	Washer NB 8x22x1,5	
8	M6SF M8x35	1	Flange screw M6SF DIN 6921	
7	03-03156	1	Turn wheel plate	1
6	04-00561	1	05B-1 Z=23 Tension sprocket	1
5	03-03159	1	Spacer D=15,8x8,1 L=18,5	1
4	03-03158	1	Sprocket 05B-1 z=23 d=20 L=14	1
3	P6SS M6x8	2	Pin screw	
2	03-03157	4	Chainholder	1
1	01-00697	1	Feed Chain (Manual)	1
<b>Item no.</b>	<b>Art.no.</b>	<b>Qty.</b>	<b>Description</b>	<b>Issue</b>

## BOLTS/NUTS

Definition of the fasteners on following pages.



## ADDITIONAL SYMBOLS

The following symbols are used as supplements to the symbols above to describe the design of the parts.



## DIMENSIONS/LENGTH

The dimensions of the fasteners are written as a diameter measurement **(M)** ISO 68-1. For bolts, this is followed by a length measurement. The length of the bolt is measured from below the head to the tip of the bolt.


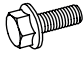




**(Diameter)**                      **(Length)**  
M8                      x                      20

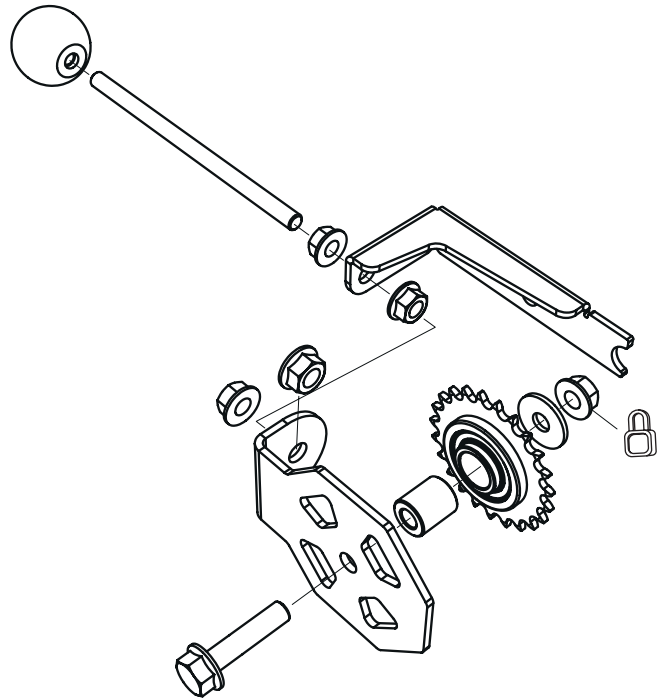
# ASSEMBLY




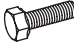


**01-00696**

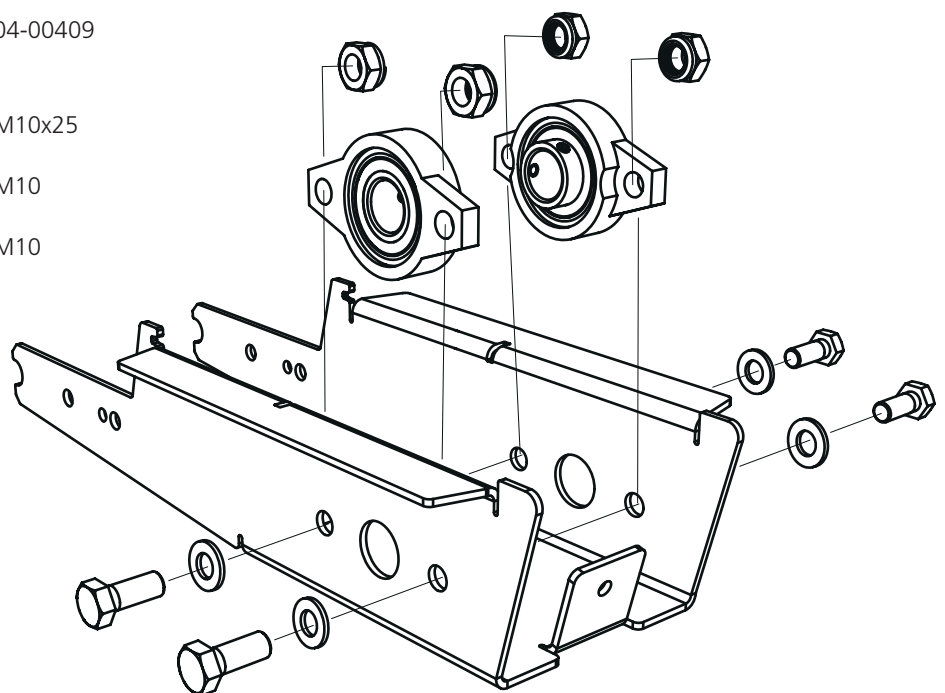
**1**

-  — 1 x — 8x22x1,5
-  — 1 x — M8x35
-  — 4 x — M8
-  — 1 x — M8
-  — 1 x — 04-00561
-  — 1 x — 03-03159


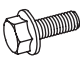




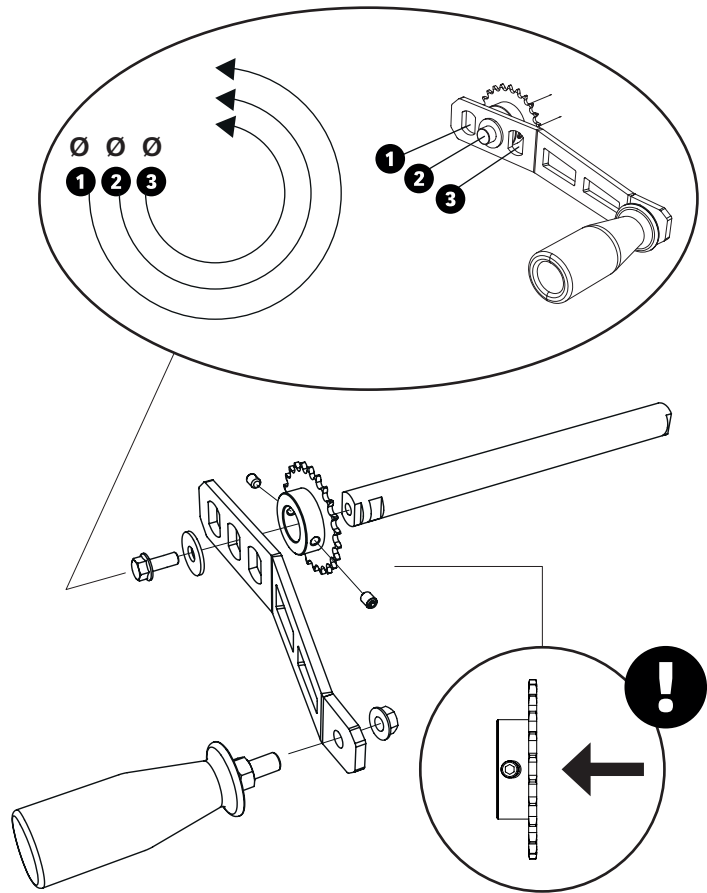
**2**

-  — 2 x — 04-00409
-  — 4 x — M10x25
-  — 4 x — M10
-  — 4 x — M10

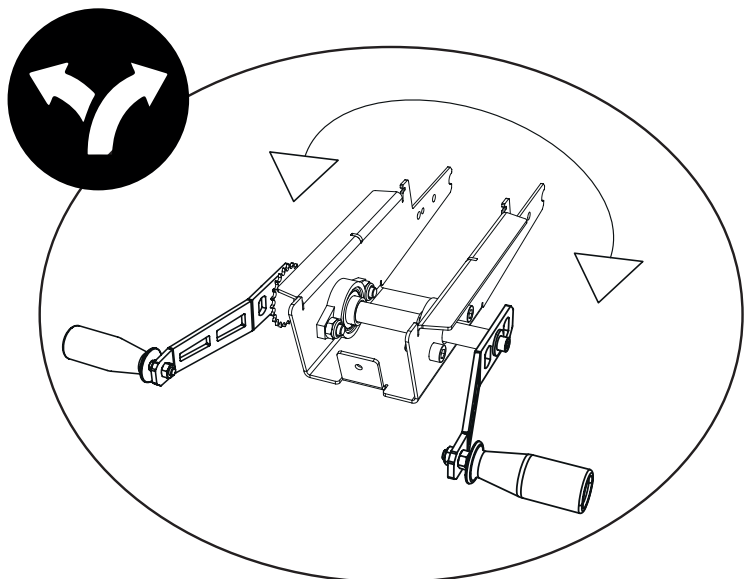


## 3 Mounting the crank handle

-  — 1 x — 8x22x1,5
-  — 1 x — M8x20
-  — 1 x — M8
-  — 1 x — 03-03158

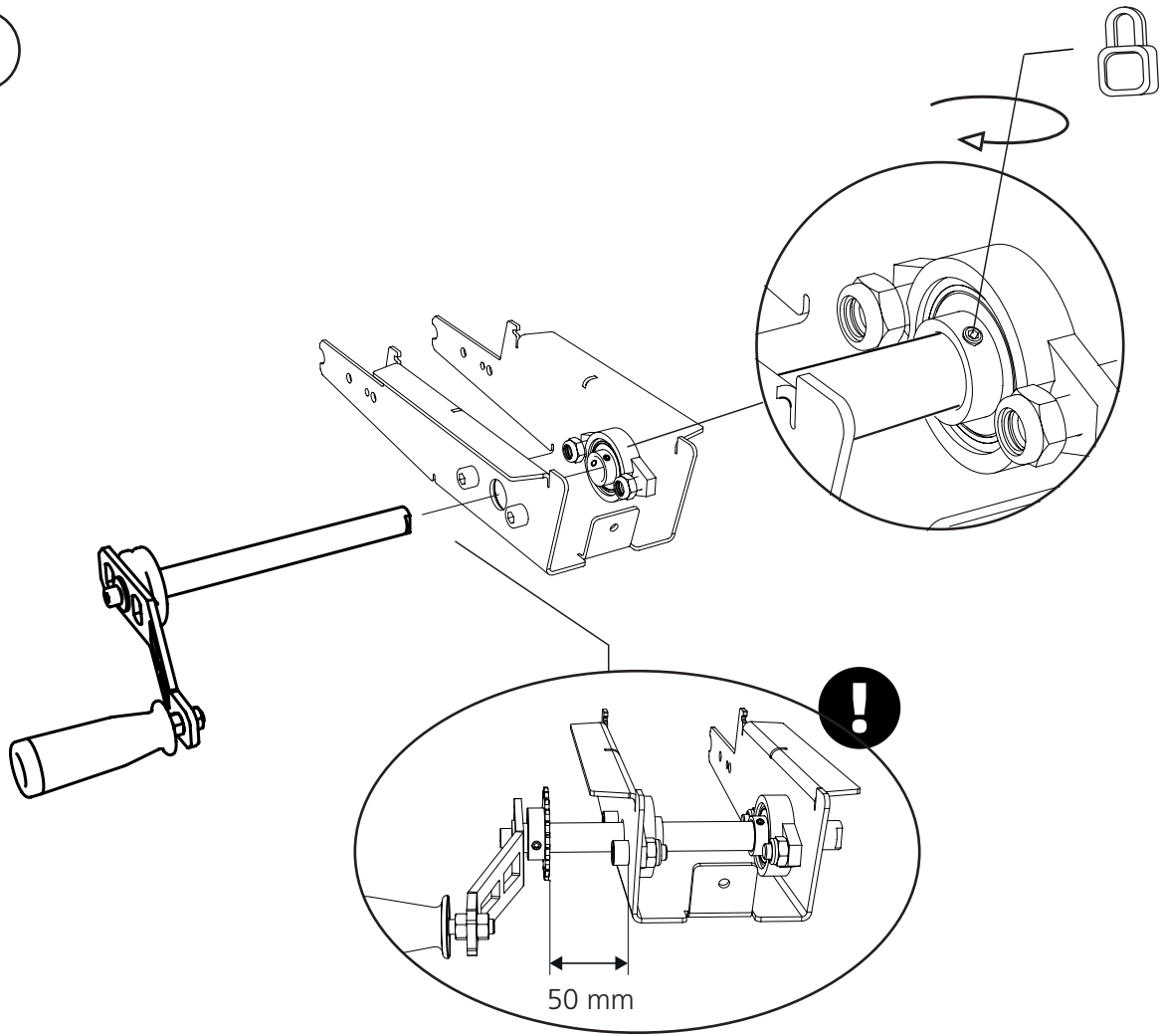


The crank handle can be mounted on either the right or left side.

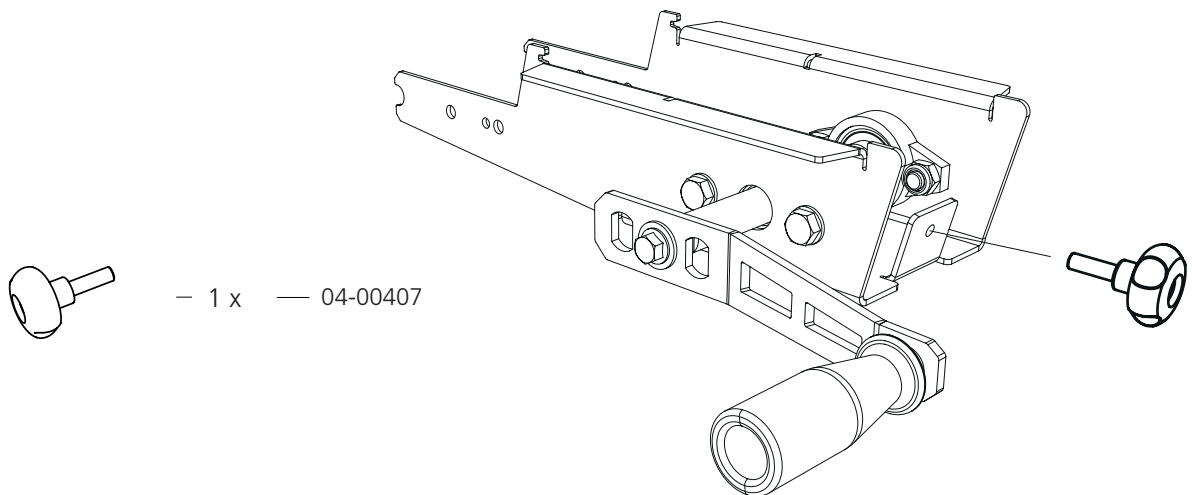




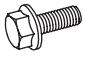
4




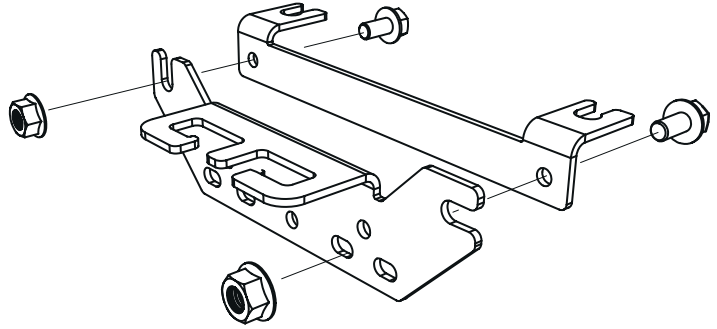
5



6

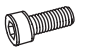
 — 2 x — M8x20


 — 2 x — M8

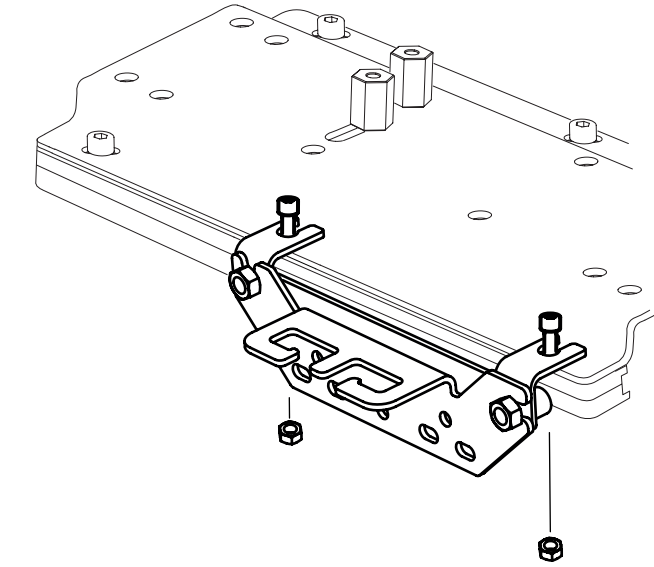


7

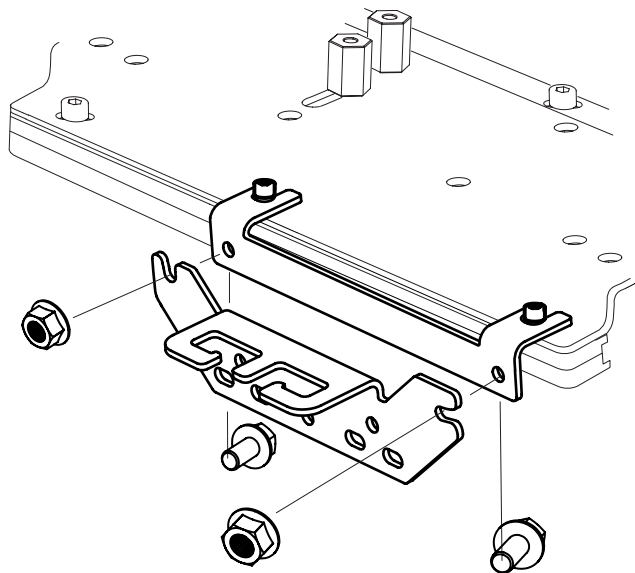
The assembly is carried out using the existing screw joints on the carriage.

 — 2 x — M8x35





 — 2 x — M8

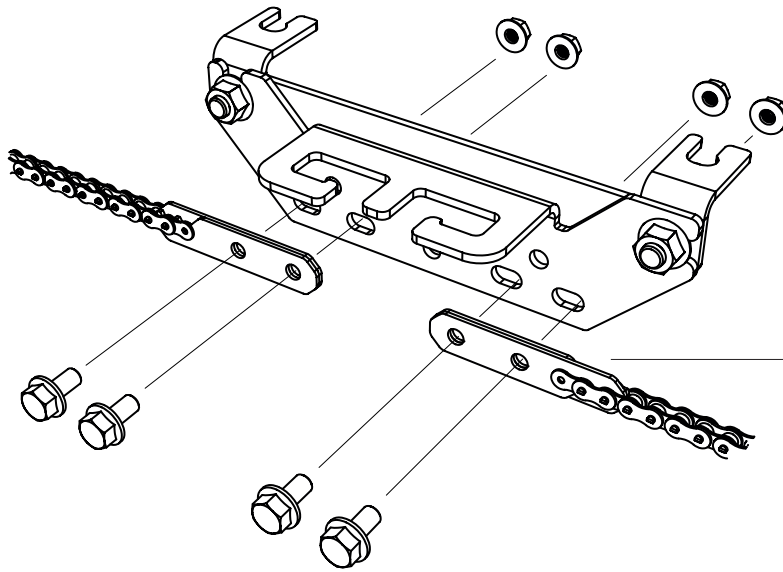
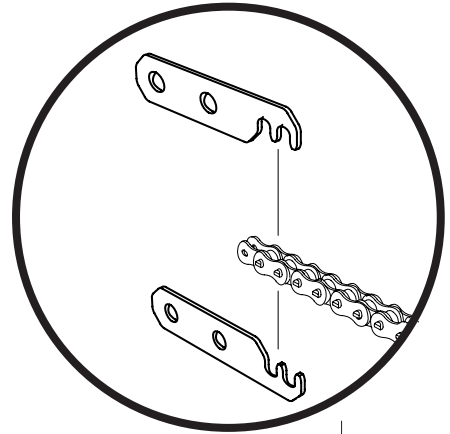


To facilitate saw unit maintenance, the wire mount can be removed from the saw carriage without releasing the wire tension.





8

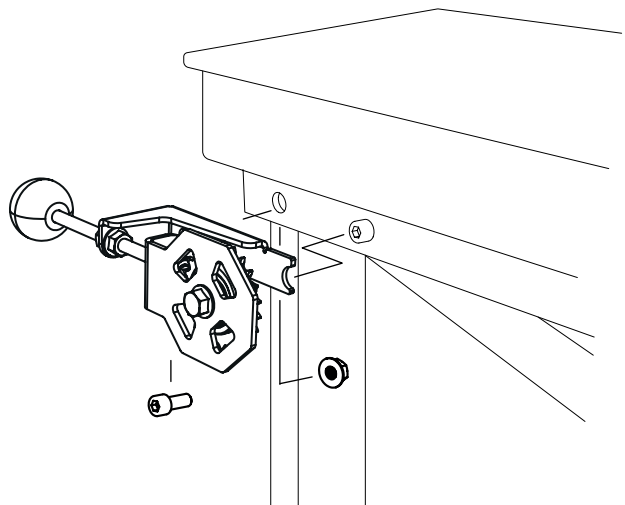
-  — 4 x ————— M6x16
-  — 4 x ————— M6
-  — 1 x ————— 01-00697, 4 m
-  — 1 x ————— 01-00720, 1 m  
Required for each 1 m extension



9

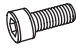

The assembly is partially carried out using the existing screw that connects the strut to the guide rail.

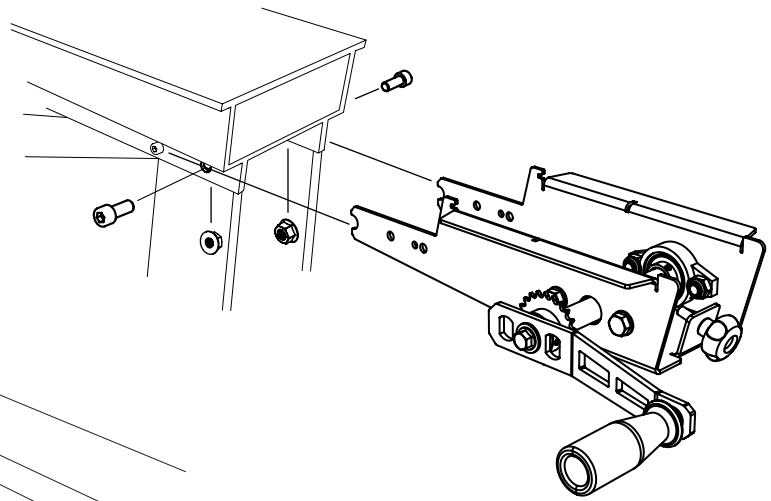
-  — 1 x ————— M8x20
-  — 1 x ————— M8



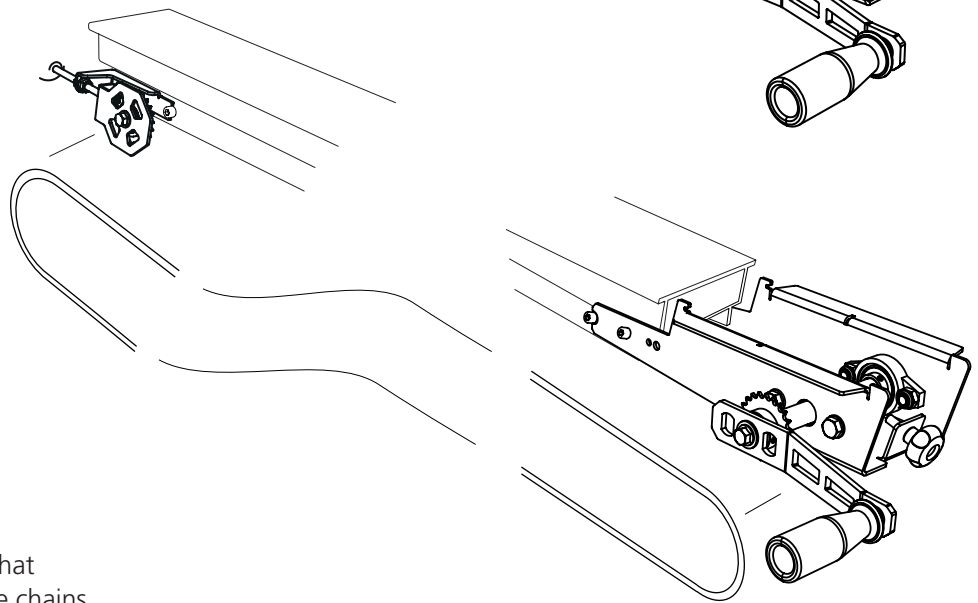
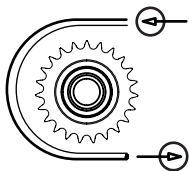
10

The assembly is partially carried out using the existing screw joints on the beam.

-  — 2 x — M8x20
-  — 2 x — M8



11

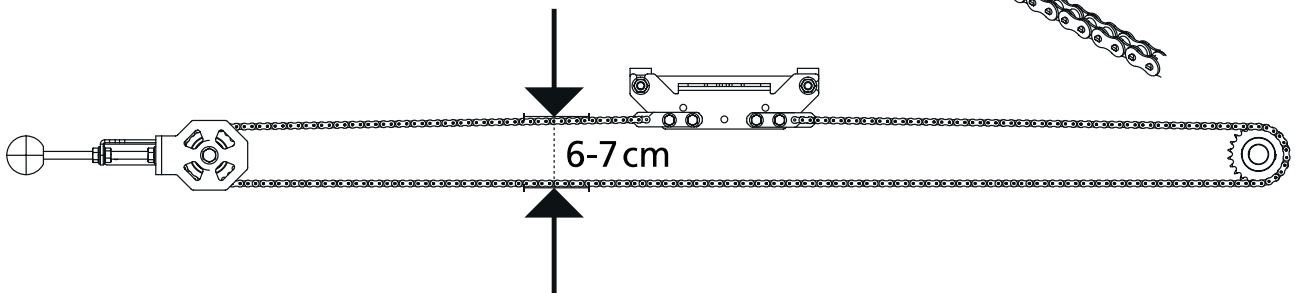
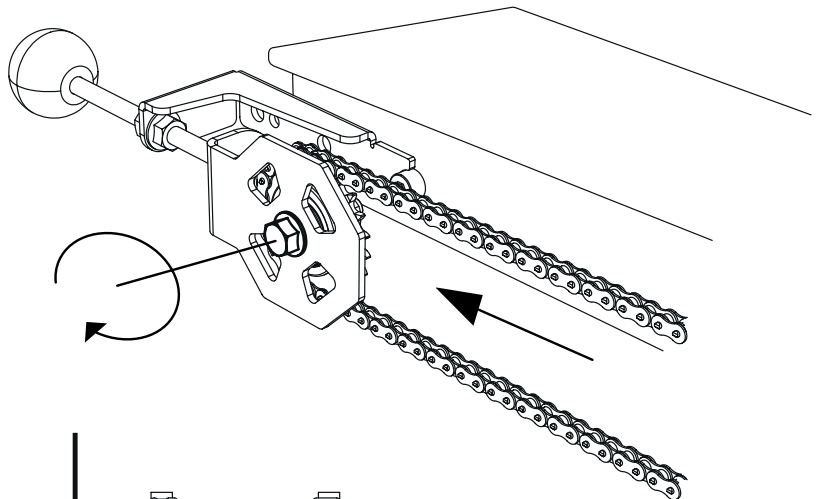


12

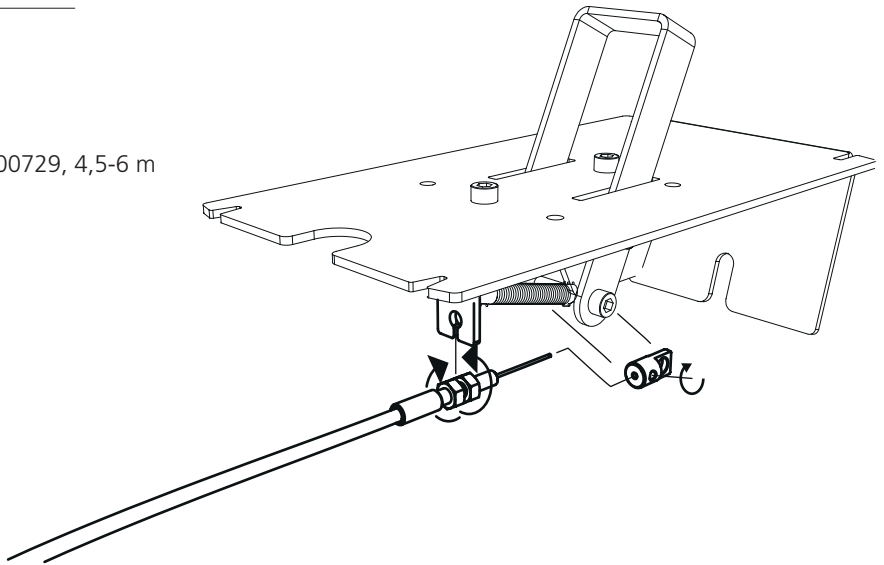
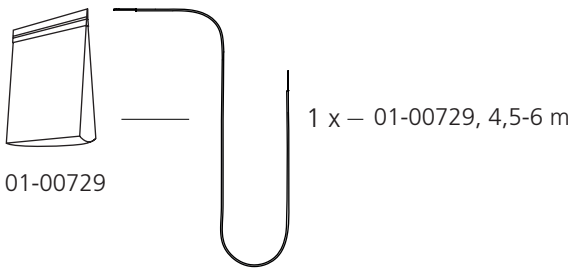
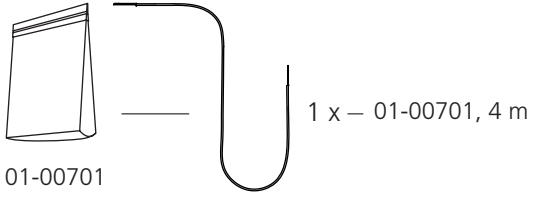
Tighten the drive chain so that there is 6-7 cm between the chains.

In order to adjust the tension, you need to loosen the tensioning mechanism's flange nut.

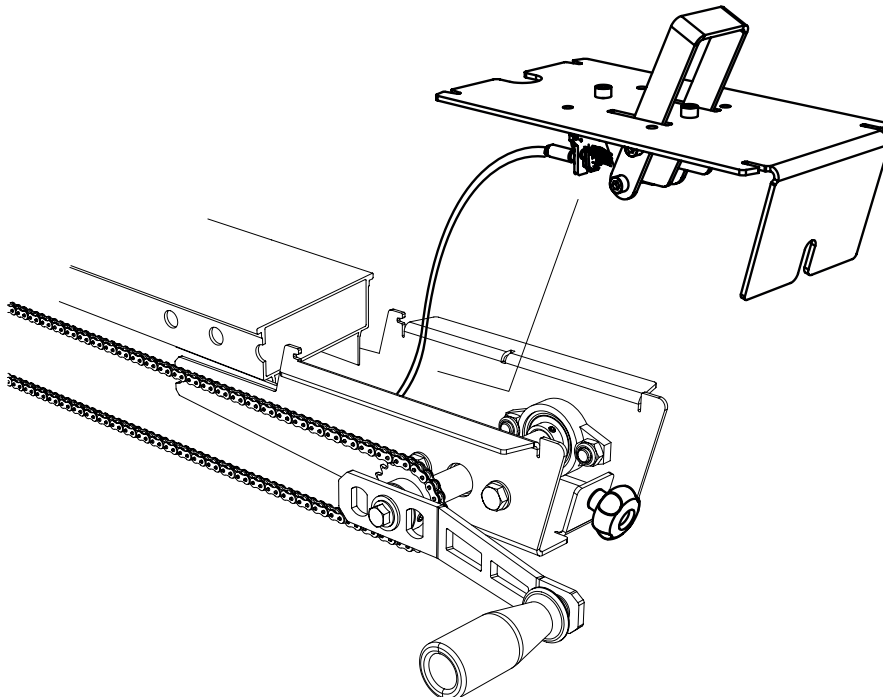
Once the adjustment has been made, be sure to re-tighten the flange nut.



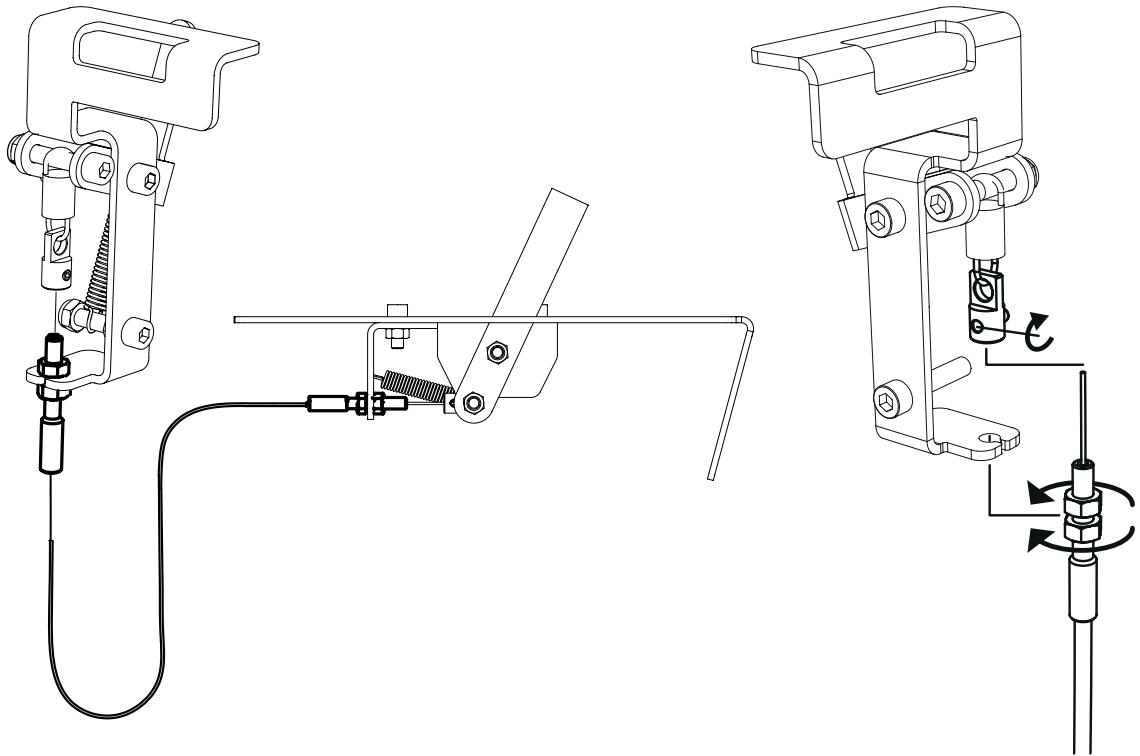
13



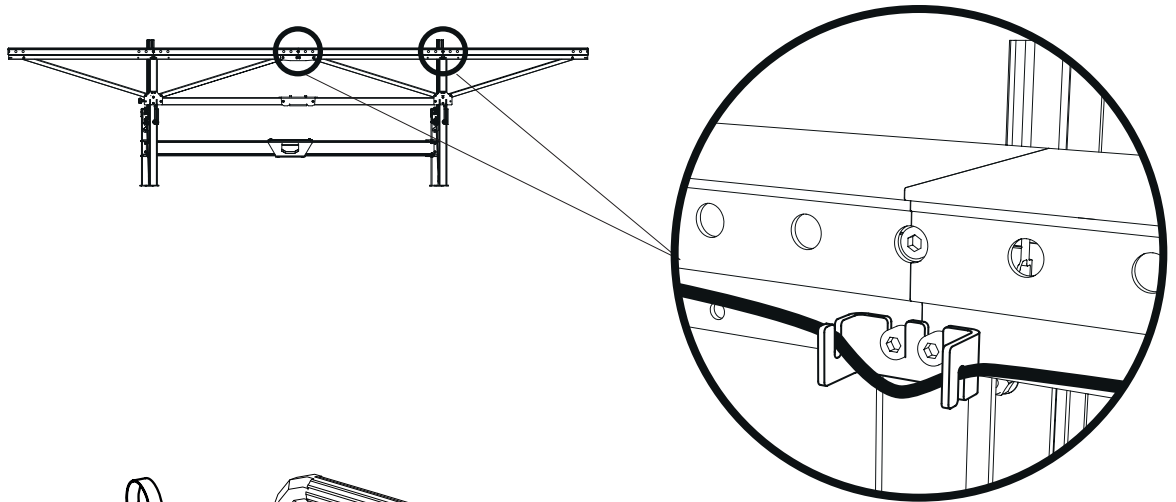
14



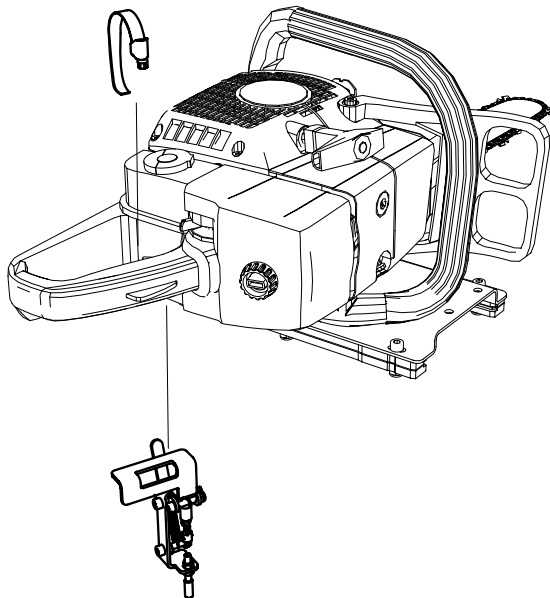
15



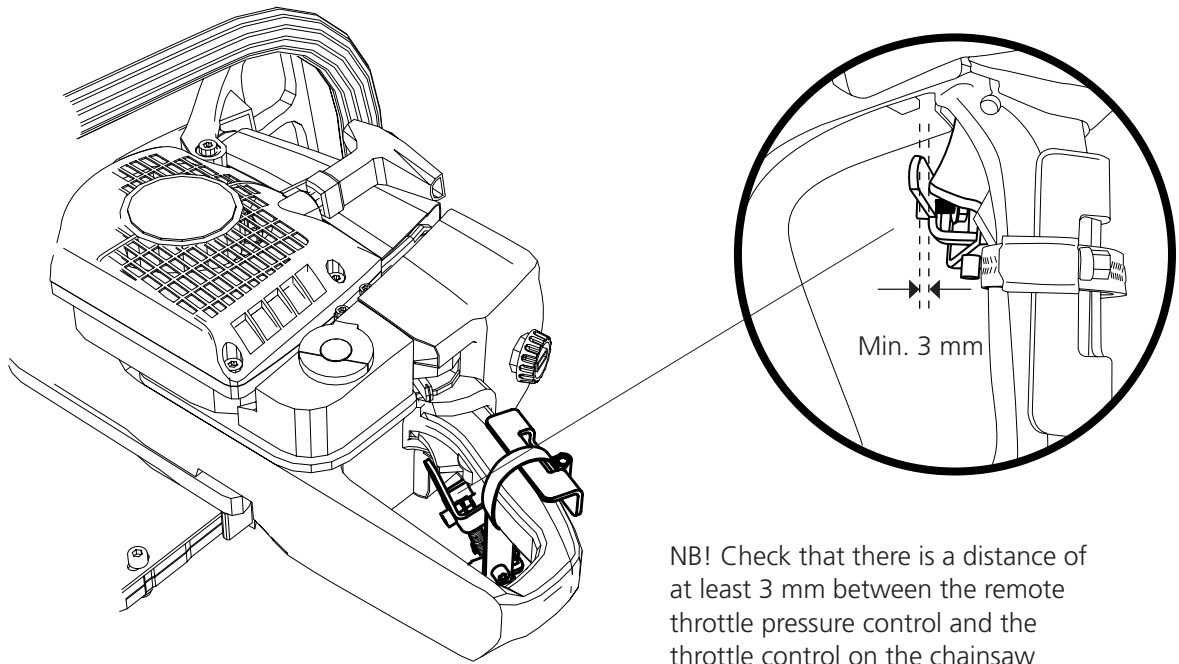
16



17

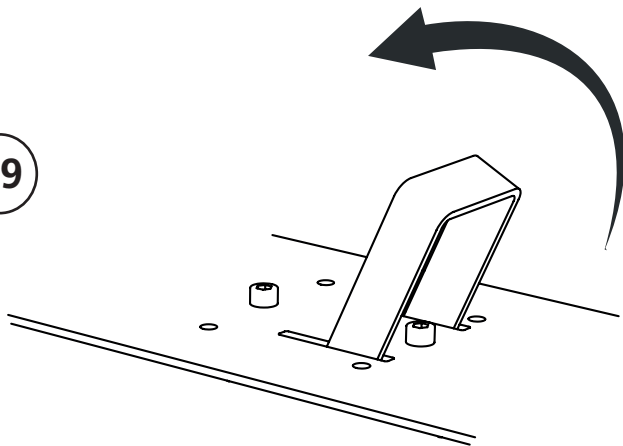


18

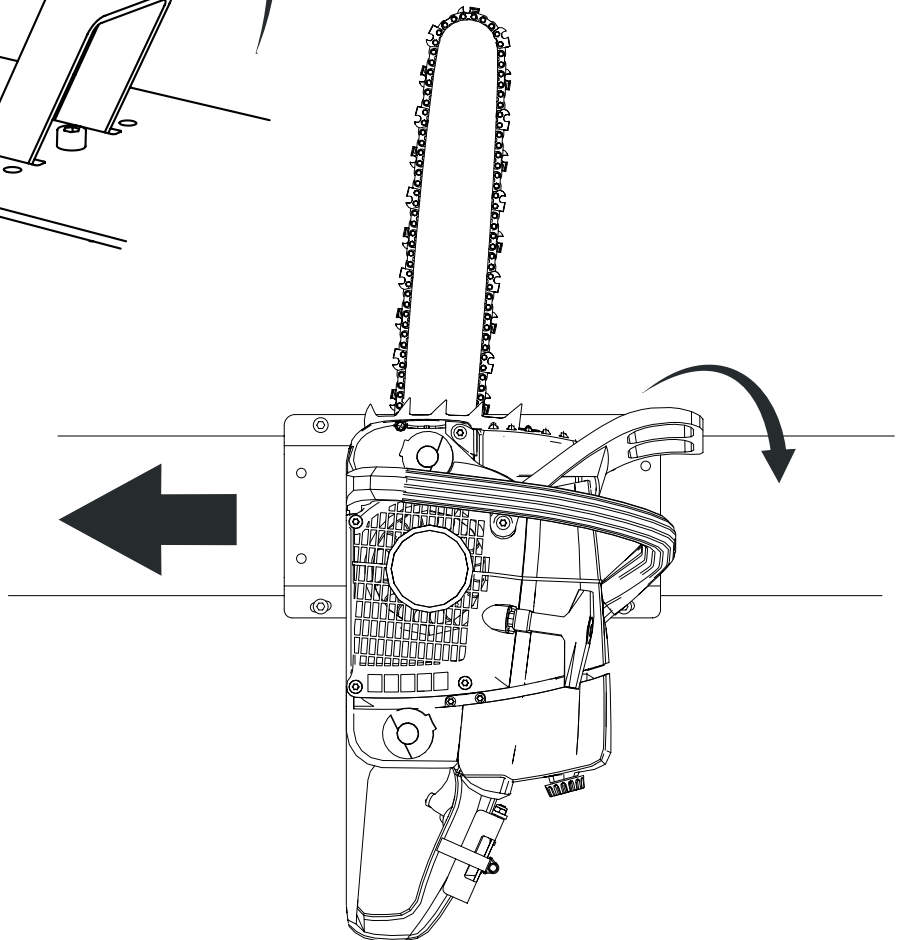


NB! Check that there is a distance of at least 3 mm between the remote throttle pressure control and the throttle control on the chainsaw when idling.

19



20





## Declaration of Conformity

In accordance with Directive 2006/42/EC, Annex 2A

Logosol AB,  
Fiskaregatan 2,  
SE-871 33 Härnösand, Sweden  
Tel. +46 611 18285

hereby declares that **Logosol Manual remote feeding for chainsaw**

has been manufactured in conformity with:  
the Machinery Directive 2006/42/EC

and has been manufactured in conformity with the  
following harmonised standards:  
EN ISO 12100:2010

Fredrik Forssberg, CEO, is responsible for technical  
documentation.

**Härnösand, 27-10-2022**

**Fredrik Forssberg, CEO**



## Declaration of conformity

Logosol AB,  
Fiskaregatan 2,  
SE-871 33 Härnösand, Sweden  
Tel. +46 611 18285

hereby declares that **Logosol Manual remote feeding for chainsaw**

has been manufactured in conformity with:  
Supply of Machinery (Safety) Regulations  
2008

and has been manufactured in conformity  
with the following harmonised standards:  
BS EN ISO 12100:2010

Fredrik Forssberg, CEO, is responsible for  
the technical files.

**Härnösand 2022-10-27**

**Fredrik Forssberg, CEO**



Fiskaregatan 2, S-871 33 Härnösand, SWEDEN  
Phone +46 611 18285 | info@logosol.com | www.logosol.com