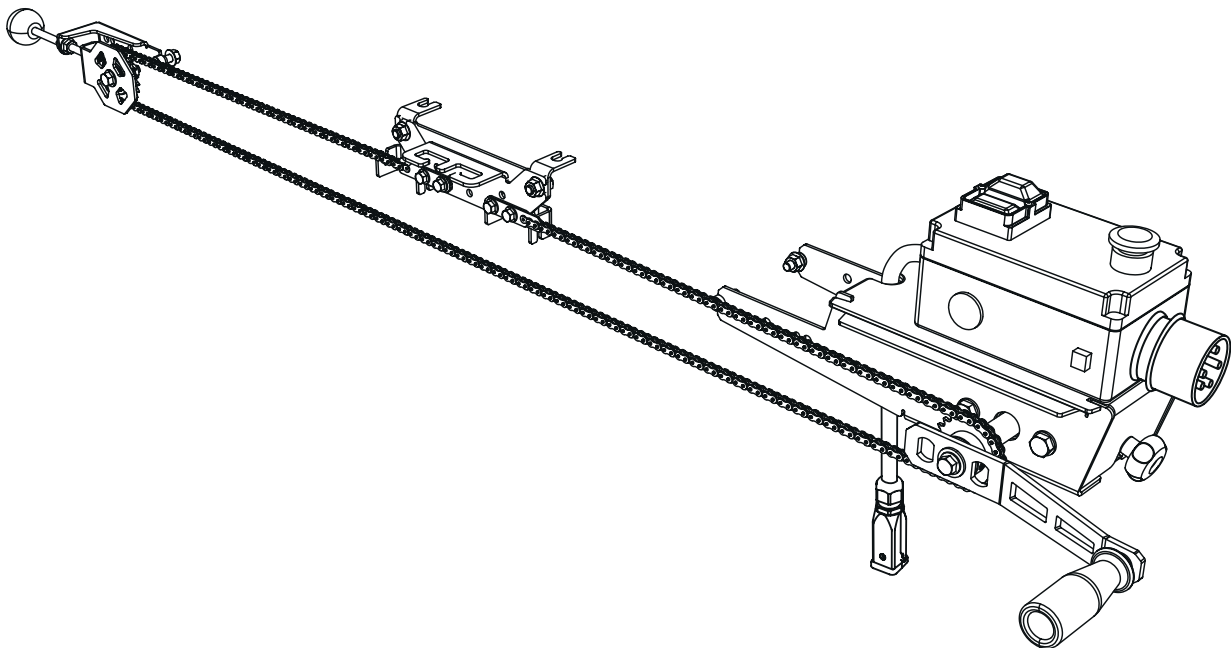


 **LOGOSOL**

ASSEMBLY INSTRUCTIONS

Part no. 0458-395-0411

REV:1

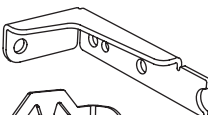
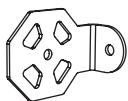


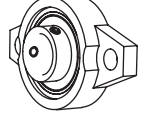
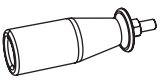

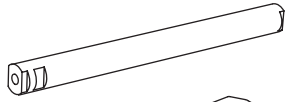

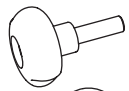

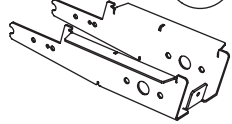

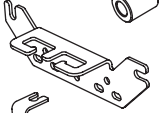
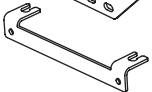
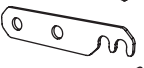





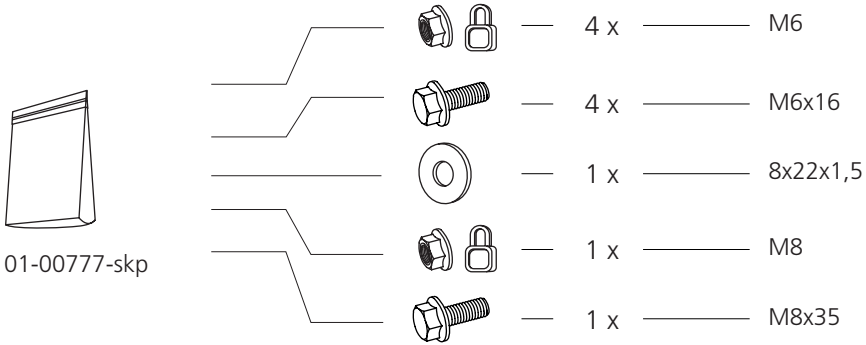
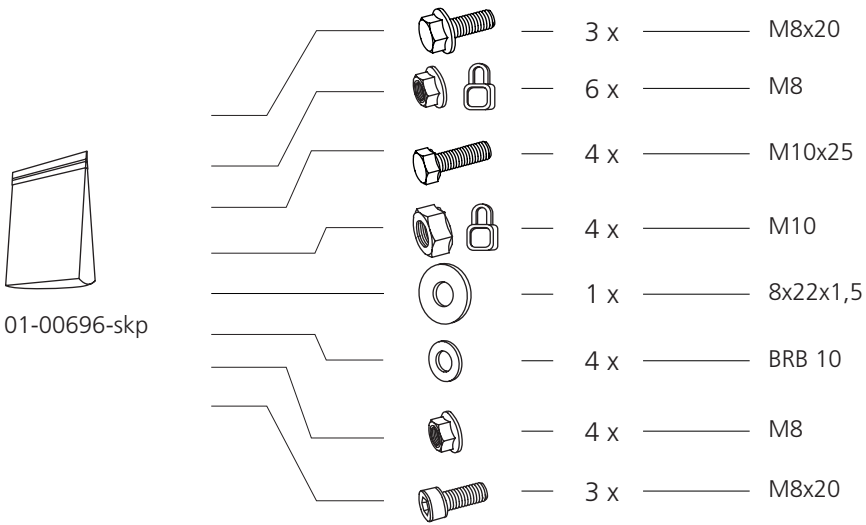
MANUAL REMOTE FEEDING FOR ELECTRIC SAW

EN

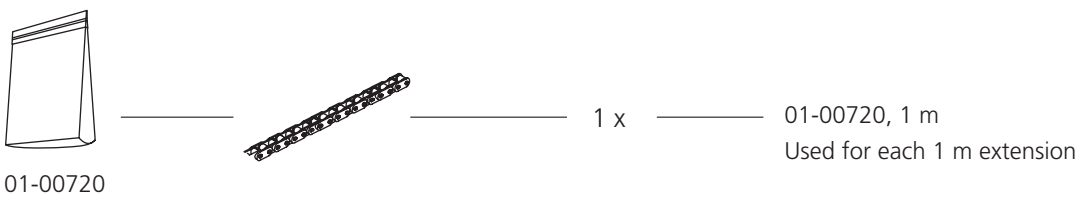
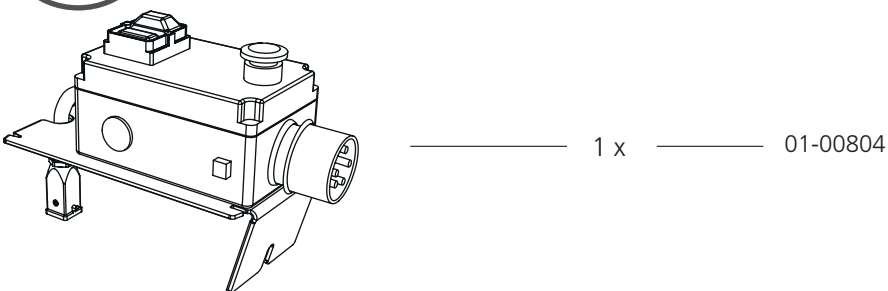


01-00696 COMPONENT PARTS

	_____	1 x	_____	03-02832
	_____	1 x	_____	03-03156
	_____	1 x	_____	04-00561
	_____	1 x	_____	03-03158
	_____	2 x	_____	04-00409
	_____	1 x	_____	DS-00169
	_____	1 x	_____	03-03239
	_____	1 x	_____	03-02819
	_____	1 x	_____	03-02813
	_____	1 x	_____	04-00407
	_____	1 x	_____	DK-00110
	_____	1 x	_____	03-02811
	_____	1 x	_____	03-03159
	_____	1 x	_____	03-02797
	_____	1 x	_____	03-02796
	_____	4 x	_____	03-03157
	_____	1 x	_____	01-00697, 4 m
	_____	1 x	_____	01-00696-skp
	_____	1 x	_____	01-00777-skp

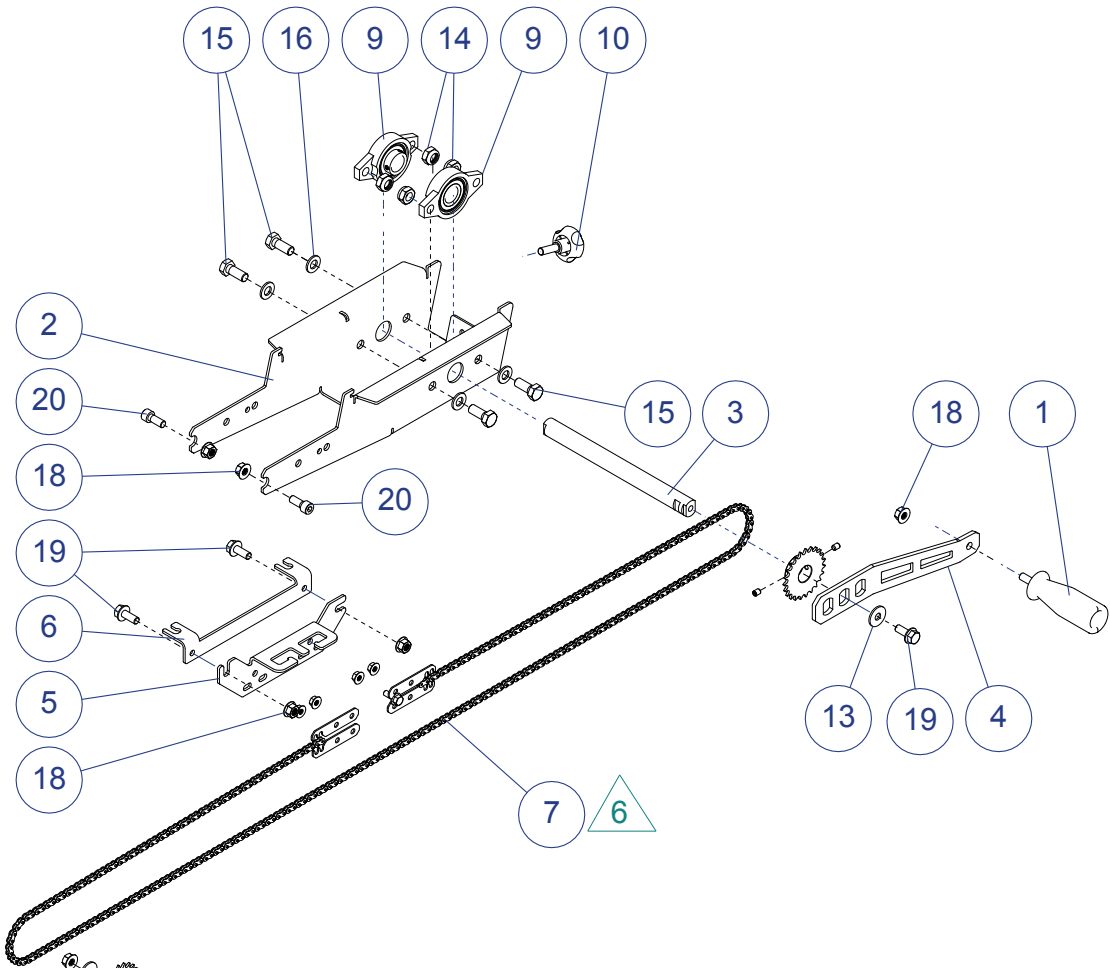


01-00804

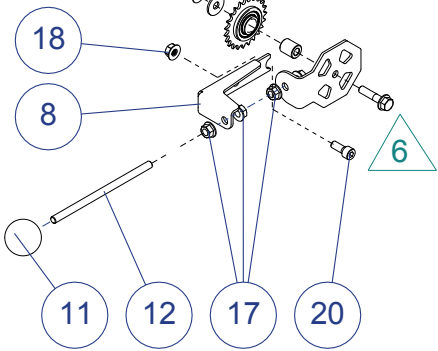




01-00696



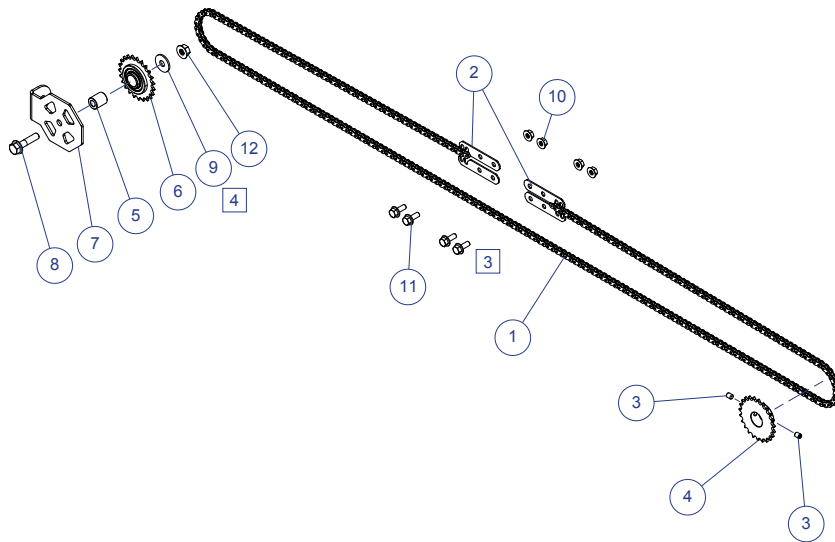
Exploded view



20	MC6S M8x20	3	Allen screw	
19	M6SF M8x20	3	Flange screw M6SF DIN 6921	
18	LM6MF M8 Fzb	6	Nylon lock flange nut Fzb	
17	M6MF M8	4	Flange nut M8 Fzb	
16	BRB 10	4	Washer 10,5x22 t=2 Fzb	
15	M6S M10x25	4	Hex screw M6S Fzb	
14	LM6M M10	4	Hex Nylon Lock Nut Fzb	
13	ISO 4759/3	1	Washer NB 8x22x1,5	
12	03-03239	1	Threaded rod M8x150 8.8 fzb	1
11	DK-00110	1	Endcap WN319 G32-M8	1
10	04-00407	1	Knob M8x25	1
9	04-00409	2	Flanged bearing Ø20 KFL004	1
8	03-02832	1	Turn wheel bracket	1
7	01-00777	1	Manual feed chain kit	4
6	03-02796	1	Bracket	2
5	03-02797	1	Cable & Wire mount	1
4	03-02813	1	Crank handle	1
3	03-02819	1	Crankshaft	1
2	03-02811	1	Chassis	1
1	DS-00169	1	Handle w.out end cap	2
Item no.	Art.no.	Qty.	Description	Issue



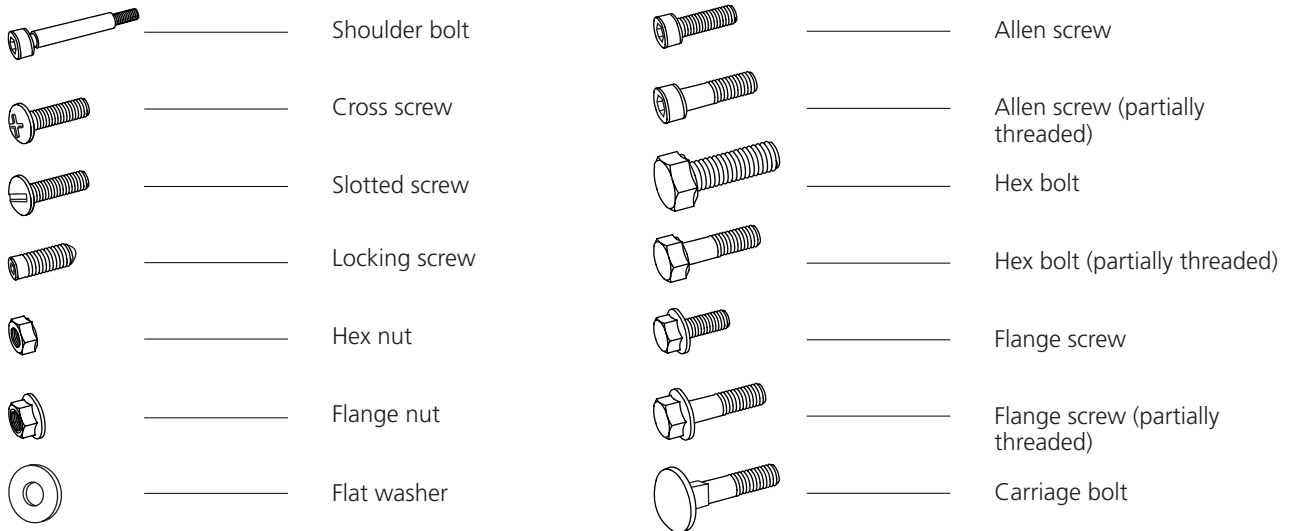
01-00777



12	LM6MF M8 Fzb	1	Nylon lock flange nut Fzb	
11	M6SF M6x16	4	Flänsskruv M6SF DIN 6921	
10	LM6MF M6	4	Nylon lock flange nut Fzb	
9	ISO 4759/3	1	Washer NB 8x22x1,5	
8	M6SF M8x35	1	Flange screw M6SF DIN 6921	
7	03-03156	1	Turn wheel plate	1
6	04-00561	1	05B-1 Z=23 Tension sprocket	1
5	03-03159	1	Spacer D=15,8x8,1 L=18,5	1
4	03-03158	1	Sprocket 05B-1 z=23 d=20 L=14	1
3	P6SS M6x8	2	Pin screw	
2	03-03157	4	Chainholder	1
1	01-00697	1	Feed Chain (Manual)	1
Item no.	Art.no.	Qty.	Description	Issue

BOLTS/NUTS

Definition of the fasteners on following pages.



ADDITIONAL SYMBOLS

The following symbols are used as supplements to the symbols above to describe the design of the parts.



DIMENSIONS/LENGTH

The dimensions of the fasteners are written as a diameter measurement **(M)** ISO 68-1. For bolts, this is followed by a length measurement. The length of the bolt is measured from below the head to the tip of the bolt.


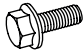




(Diameter)		(Length)
M8	x	20

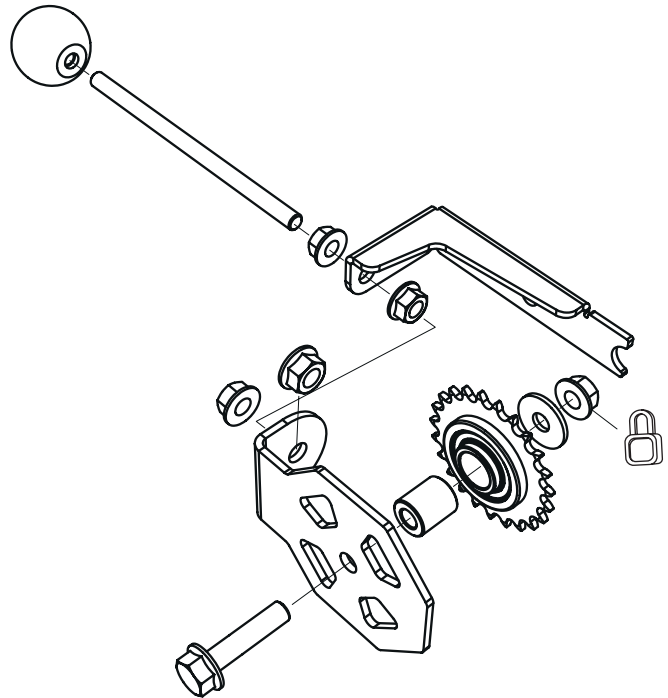
ASSEMBLY



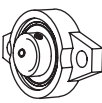
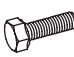


01-00696

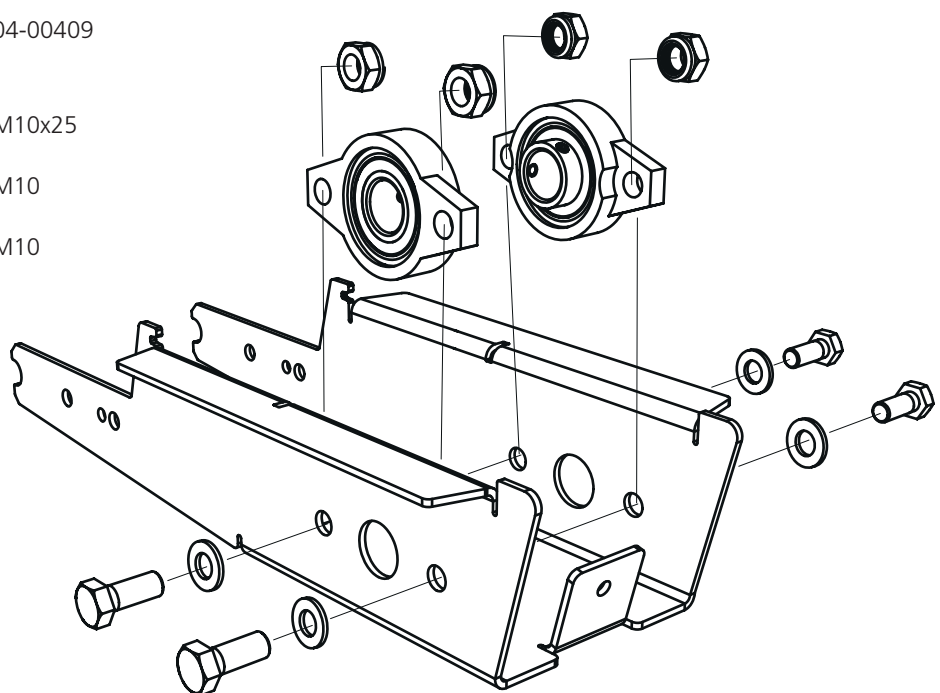
1

-  — 1 x — 8x22x1,5
-  — 1 x — M8x35
-  — 4 x — M8
-  — 1 x — M8
-  — 1 x — 04-00561
-  — 1 x — 03-03159




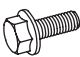


2

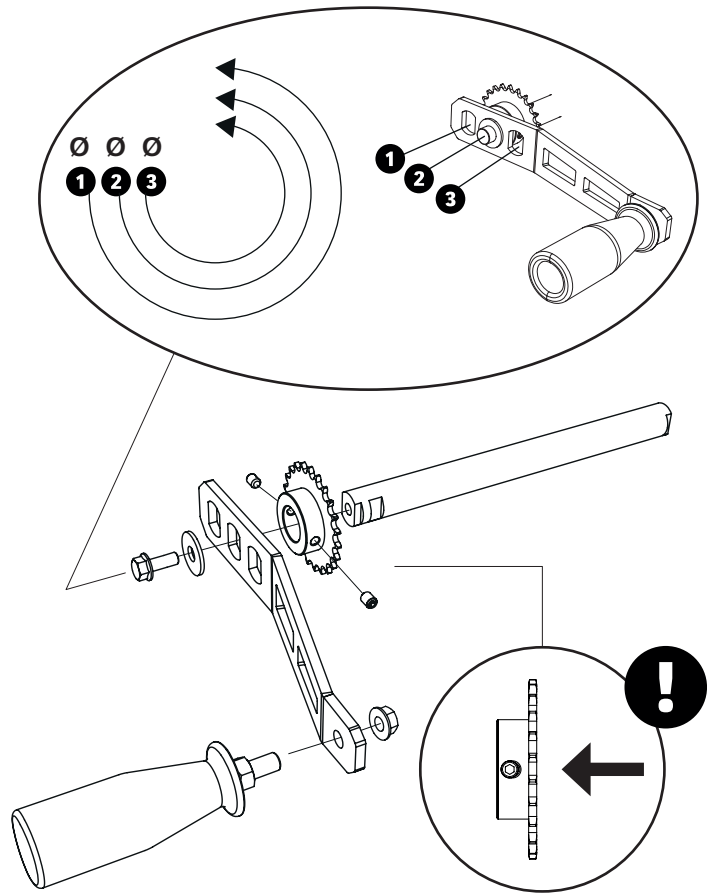
-  — 2 x — 04-00409
-  — 4 x — M10x25
-  — 4 x — M10
-  — 4 x — M10



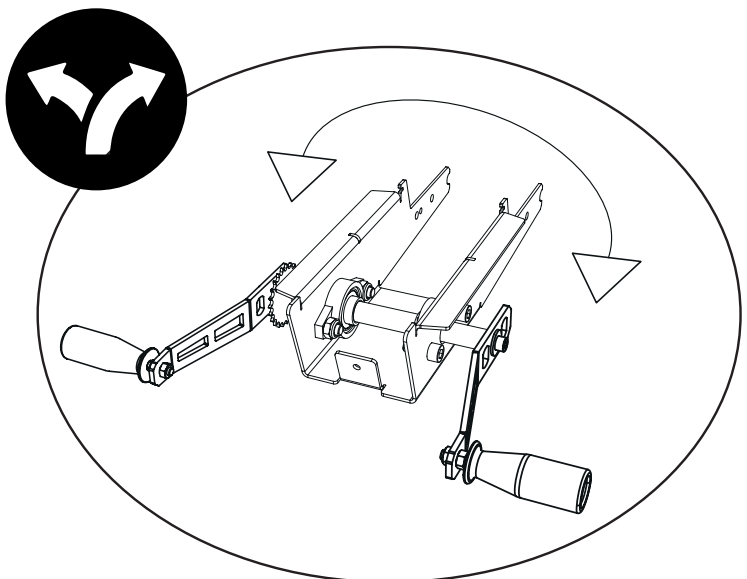
3

Mounting the crank handle

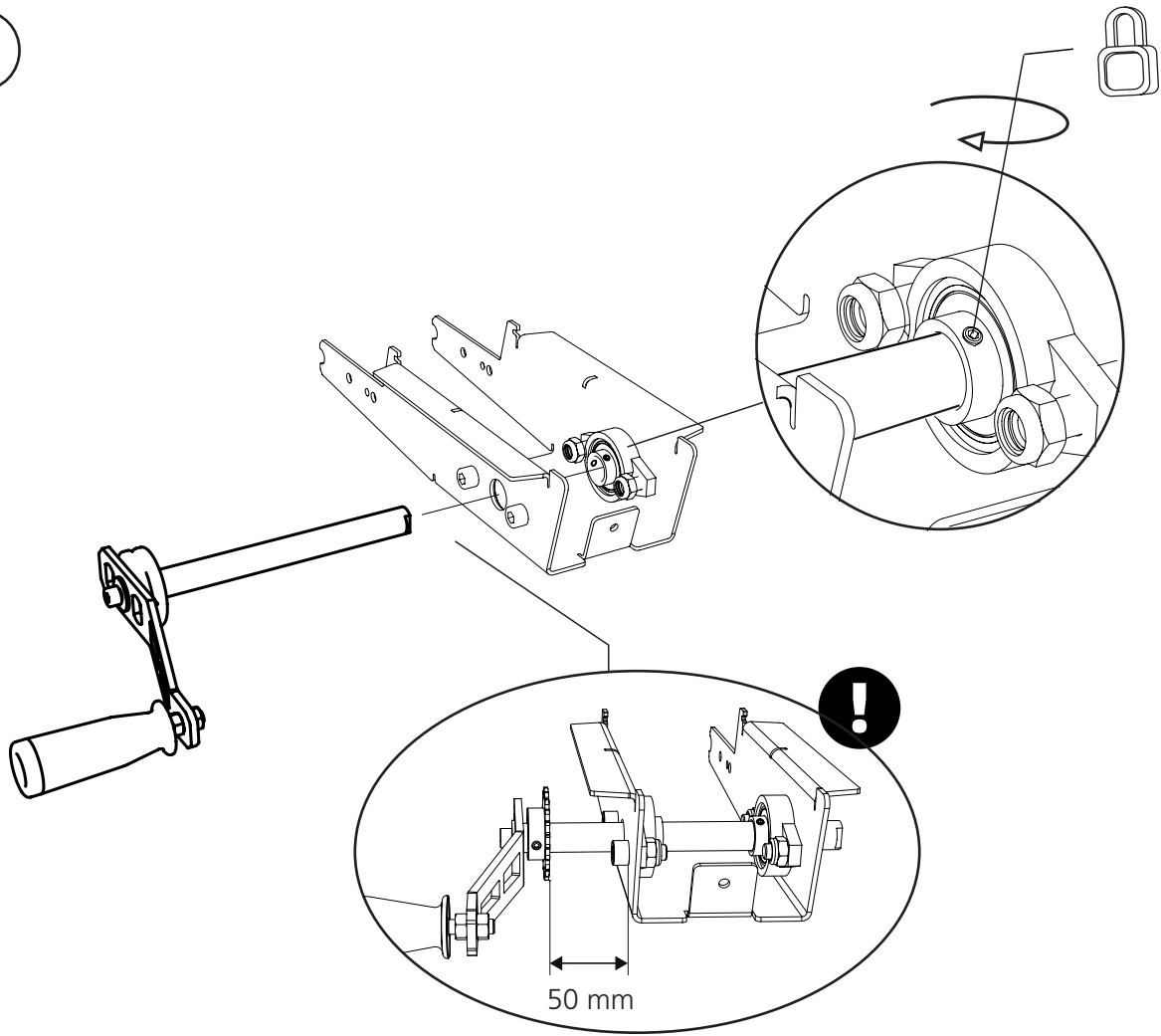
-  — 1 x — 8x22x1,5
-  — 1 x — M8x20
-  — 1 x — M8
-  — 1 x — 03-03158



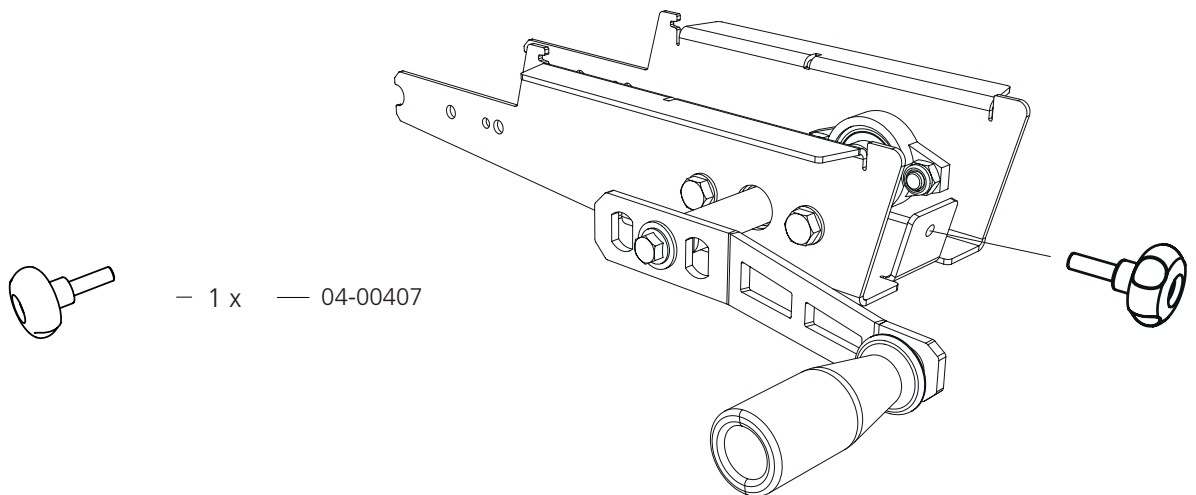
The crank handle can be mounted on either the right or left side.



4

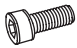



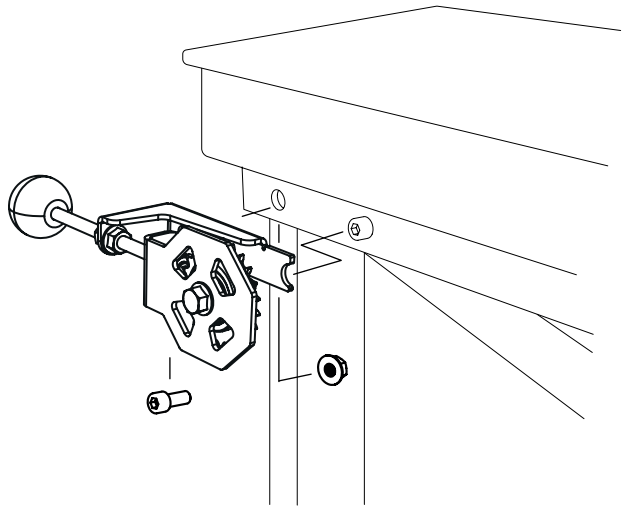
5



6

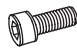

The assembly is partially carried out using the existing screw that connects the strut to the guide rail.

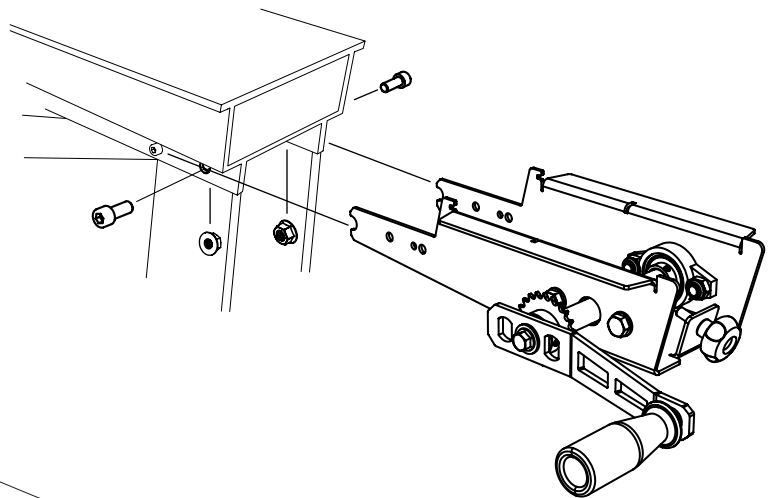
-  — 1 x — M8x20
-  — 1 x — M8



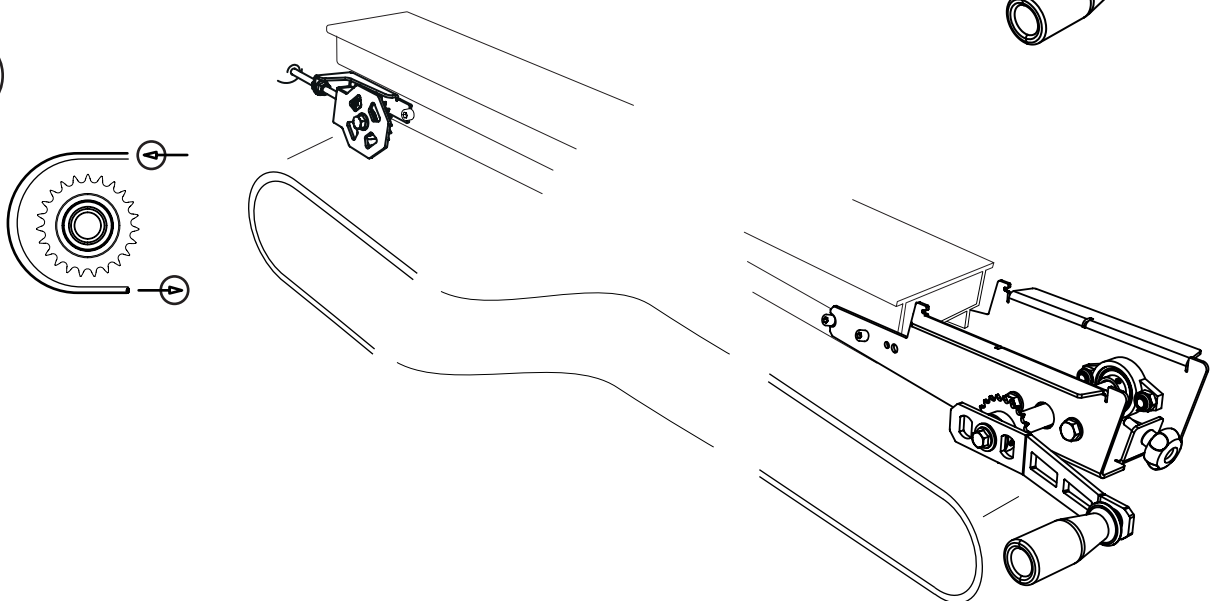
7

The assembly is partially carried out using the existing screw that connects the support leg to the guide rail.

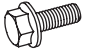
-  — 2 x — M8x20
-  — 2 x — M8




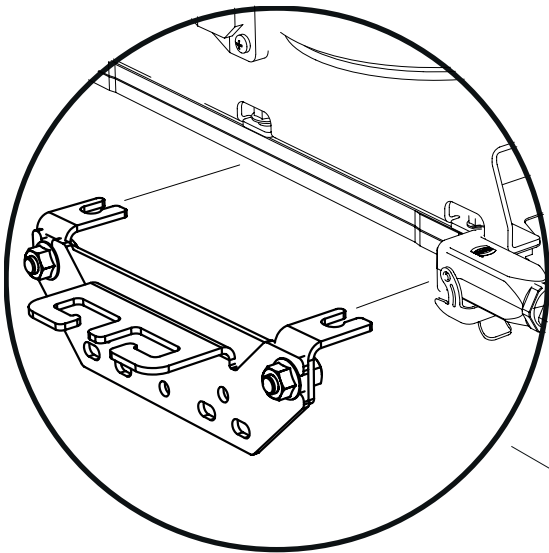
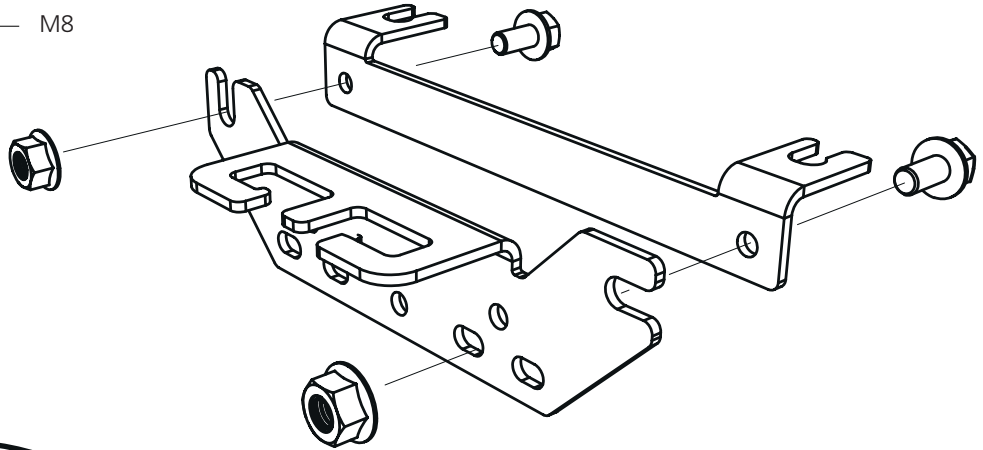
8



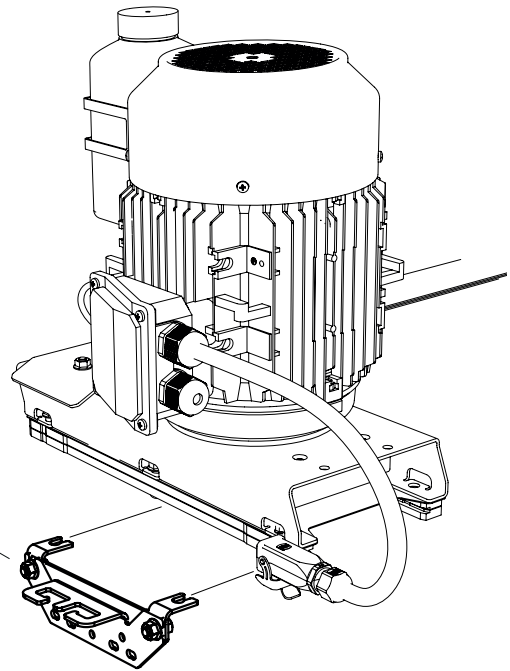
9

 — 2 x — M8x20





 — 2 x — M8

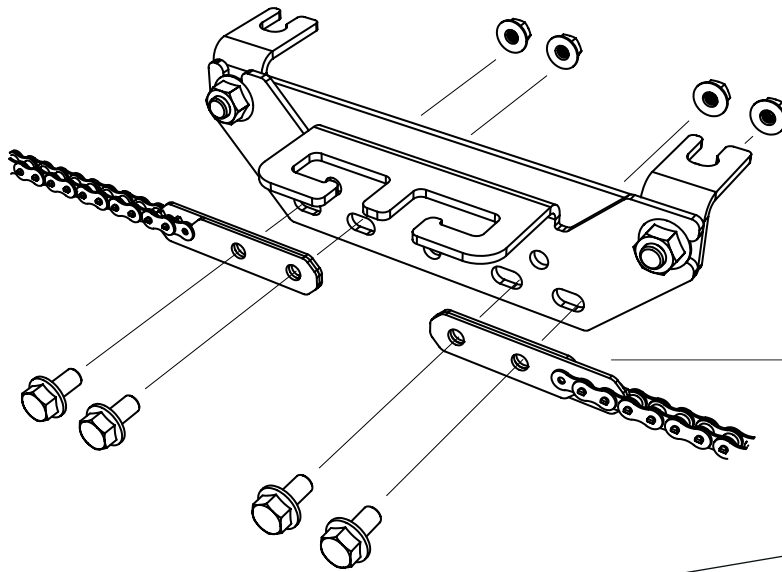
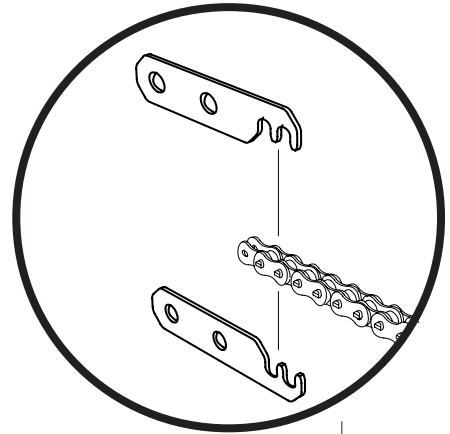


The assembly is carried out using two of the existing bolts/nuts that holds the plastic guides.



10

-  — 4 x — M6x16
-  — 4 x — M6
-  — 1 x — 01-00697, 4 m
-  — 1 x — 01-00720, 1 m
Required for each 1 m extension

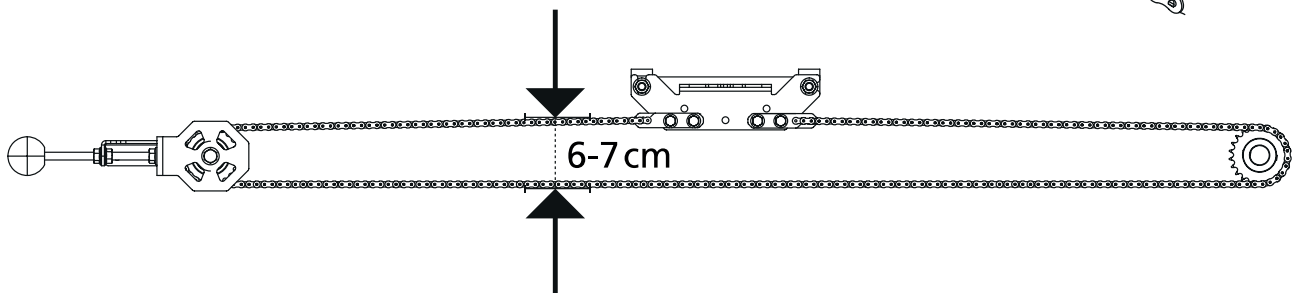
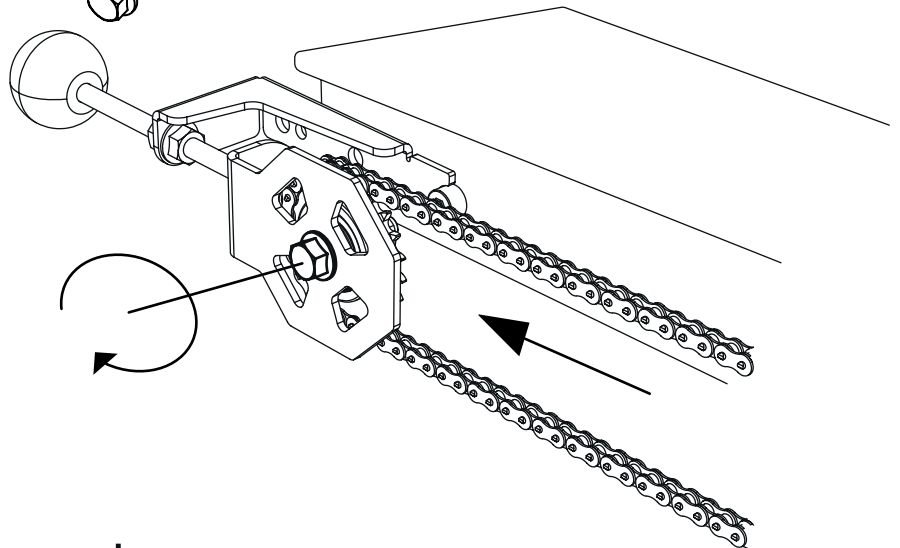


11

Tighten the drive chain so that there is 6-7 cm between the chains.

In order to adjust the tension, you need to loosen the flange nut on the tensioning mechanism's.

Once the adjustment has been made, be sure to re-tighten the flange nut.

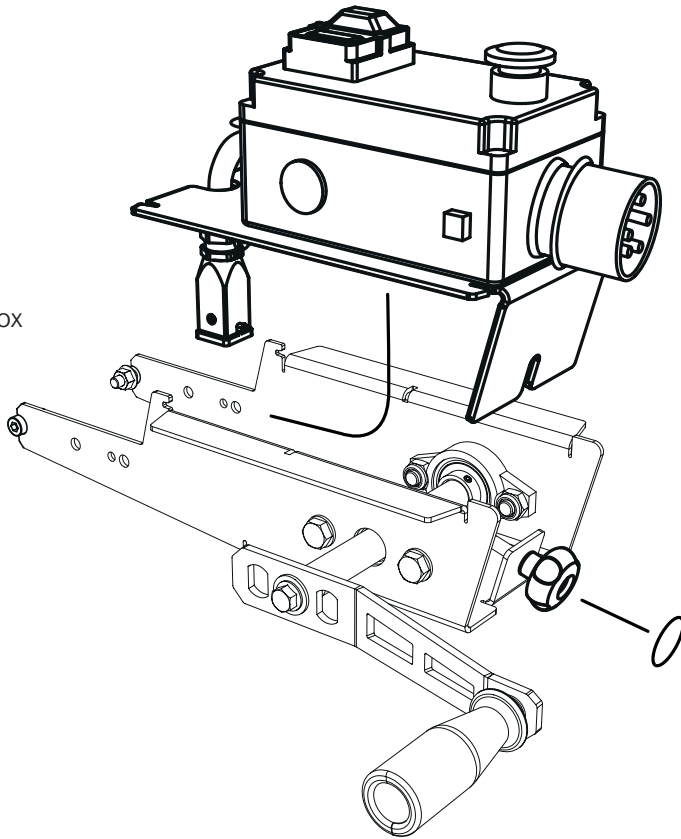




01-00804

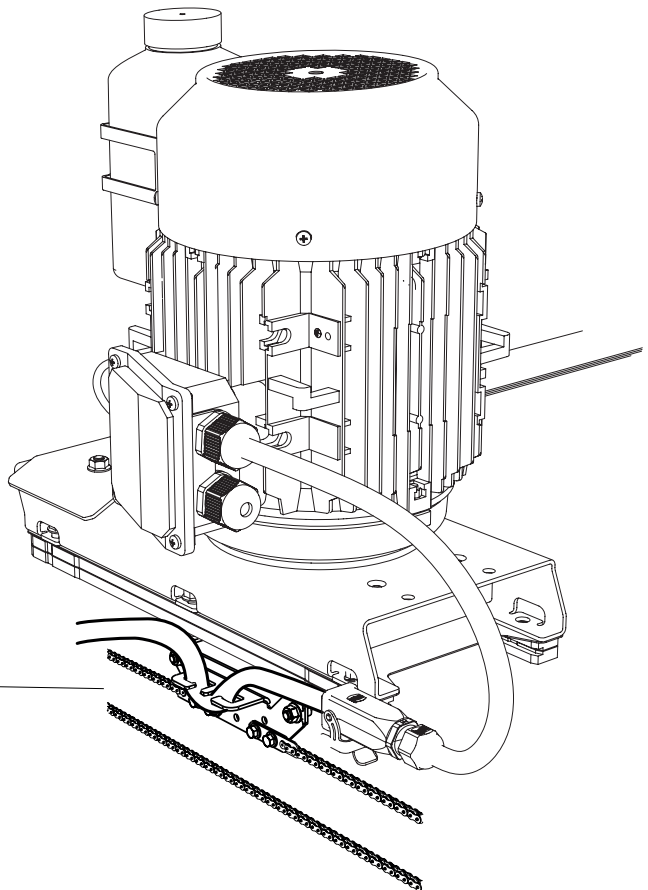
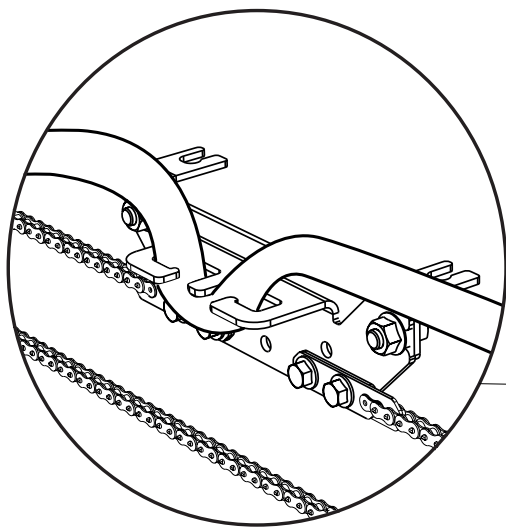
12

The top plate of the remote feed can be removed to allow storage of the switch box elsewhere when not in use.



13

Attach the power cable for the saw unit using the wire bracket on the wire mount.





Declaration of Conformity

In accordance with Directive 2006/42/EC, Annex 2A

Logosol AB,
Fiskaregatan 2,
SE-871 33 Härnösand, Sweden
Tel. +46 611 18285

hereby declares that **Logosol manual remote feeding for electric saw**

has been manufactured in conformity with: the Machinery Directive 2006/42/EC, the EMC Directive 2014/30/EU

and has been manufactured in conformity with the following harmonised standards:
EN ISO 12100:2010, EN 60204-1:2018

Fredrik Forssberg, CEO, is responsible for technical documentation.

Härnösand, 27-10-2022

Fredrik Forssberg, CEO



Declaration of conformity

Logosol AB,
Fiskaregatan 2,
SE-871 33 Härnösand, Sweden
Tel. +46 611 18285

hereby declares that **Logosol manual remote feeding for electric saw**

has been manufactured in conformity with:
Supply of Machinery (Safety) Regulations 2008
Electromagnetic Compatibility Regulations 2016

and has been manufactured in conformity with the following harmonised standards:
BS EN ISO 12100:2010, BS EN 60204-2:2018

Fredrik Forssberg, CEO, is responsible for technical documentatio

Härnösand 2022-10-27

Fredrik Forssberg, CEO



Fiskaregatan 2, S-871 33 Härnösand, SWEDEN
Phone +46 611 18285 | info@logosol.com | www.logosol.com