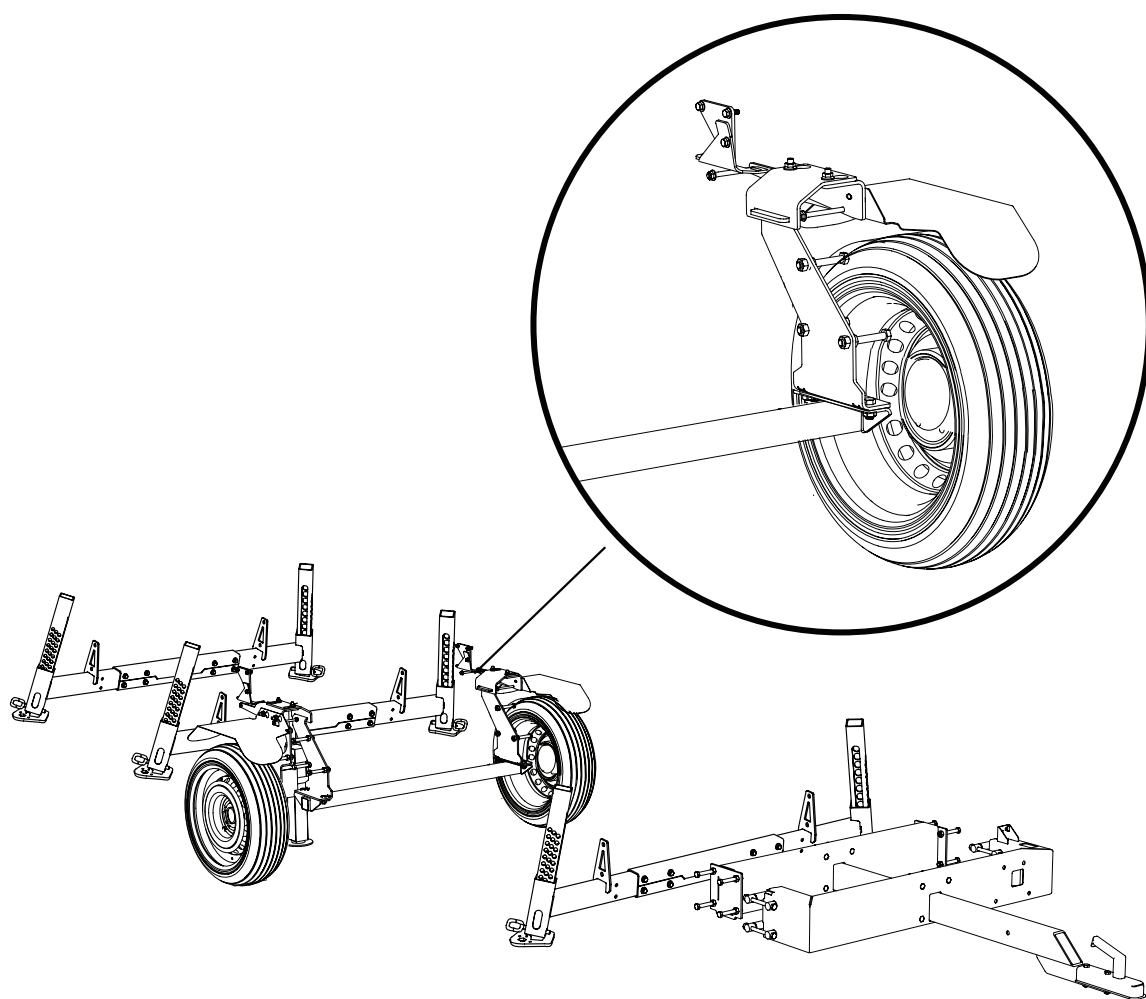


USER MANUAL

Ref. No. 0458-395-0681

Rev. 4



TRAILER KIT G2:1

B751 PRO/ B1001

THANK YOU FOR CHOOSING A LOGOSOL MACHINE!

We are very pleased that you have demonstrated your confidence in us by purchasing this product, and we will do our utmost to meet your expectations.

Logosol has been manufacturing sawmills since 1989. In that time we have supplied approximately 50,000 machines to satisfied customers the world over.

We care about your safety as well as we want you to achieve the best possible results with your equipment. We therefore recommend that you take the time to carefully read this user manual from cover to cover in peace and quiet before you begin using the product.

We hope you get a lot of satisfaction from the use of your new equipment.

Bengt-Olov Byström

Bengt-Olov Byström
Founder and chairman,
Logosol in Härnösand, Sweden



Read through the user manual carefully and make sure you understand its contents before you use the equipment.



This user manual contains important safety instructions.



WARNING! Incorrect use can result in serious or fatal injuries to the operator or others.



LOGOSOL continuously develops its products. For this reason, we must reserve the right to modify the configuration and design of our products.
Document: User Manual for Trailer Kit
Ref. No. User Manual, English: 0458-395-0681
Text: Martin Söderberg
Illustrations: Martin Söderberg
Last revised: October 2021
© 2018 LOGOSOL, Härnösand Sweden

TABLE OF CONTENTS

Safety instructions	4
Components	6
Assembly	10
Functions	21

SAFETY INSTRUCTIONS

- Read carefully through the entire user manual before starting to use the equipment. Failure to observe these safety instructions may result in fatal injuries.
- Make sure that everyone who uses the sawmill is well informed of the dangers and has read the user manual. The user manual shall always be available to the persons working with the sawmill. This also applies where the sawmill is sold or loaned out.
- Minors under 18 years of age are not allowed to operate the sawmill.
- Make sure that children and animals are not in the vicinity when the sawmill is being operated.
- Respect the safety distances to avoid injuries from high noise levels and from a broken blade that is thrown off.
- Anyone working with the sawmill must be fit for work, healthy and in good physical condition. Make sure you take regular breaks when operating the machine. Never operate the machine while under the influence of alcohol, narcotics or other drugs or medicines that can cause drowsiness or inattention.
- Only work with the equipment where visibility is good. Never work with the equipment in the dark or where visibility is poor.
- Make sure there are other persons within earshot who you can summon if you need help.
- Only add extra equipment to the sawmill that is made by Logosol or that is specifically approved by Logosol for the purpose. Other equipment can cause accidents and should not be used. Logosol will not accept liability for personal injury or material damage that occurs while using non-approved attachments on the sawmill.
- Always wear protective clothing and use personal protective equipment: Close-fitting work overalls are appropriate. Never operate the sawmill wearing loose-fitting clothes, overall coats or similar.
- Use safety shoes with high-grip soles and steel toecaps. Neckerchiefs, ties, jewellery or other items that can get caught in the equipment are not to be worn.

Key to symbols



For your own safety, read through the entire user manual carefully and do not start the machine before you have understood everything.



Use approved ear protectors and protective eyewear. Hearing can be damaged even after short periods of exposure.



Sharp rotating tools. Make sure that your fingers never come near the cutting tools.









This symbol means 'WARNING'. Pay particular attention where this symbol appears in the manual text.






This symbol is followed by instructions that must be observed. Pay particular attention where this symbol appears in the manual text.

SAFETY INSTRUCTIONS

THE WORKSITE

-  **WARNING!** Never operate a band sawmill with a petrol-powered engine in enclosed or poorly ventilated areas. This can result in death due to suffocation or carbon monoxide poisoning.
-  Only operate the band sawmill and handle band blades in full daylight or under adequate lighting.
-  Keep the work area free from children, pets, clutter, obstacles or other things that can distract the operator.
-  Choose a worksite where the ground is hard packed and level, with plenty of space for the band sawmill, a pile of logs and sawn timber. If possible, place the band sawmill so that the sawdust blows away from the operator. Set up the band sawmill on level ground with at least 5 m of free space without any obstacles around the equipment. If the band sawmill is to be set up permanently, we recommend that you support the rail frame with concrete plinths or wooden blocks (15 cm x 15 cm) under each cross bunk.
-  Always keep an ABC fire extinguisher (min. 3 kg) easily accessible at the worksite.
-  Always keep a fully-stocked first-aid kit easily accessible at the worksite.

MOVING THE BAND SAWMILL

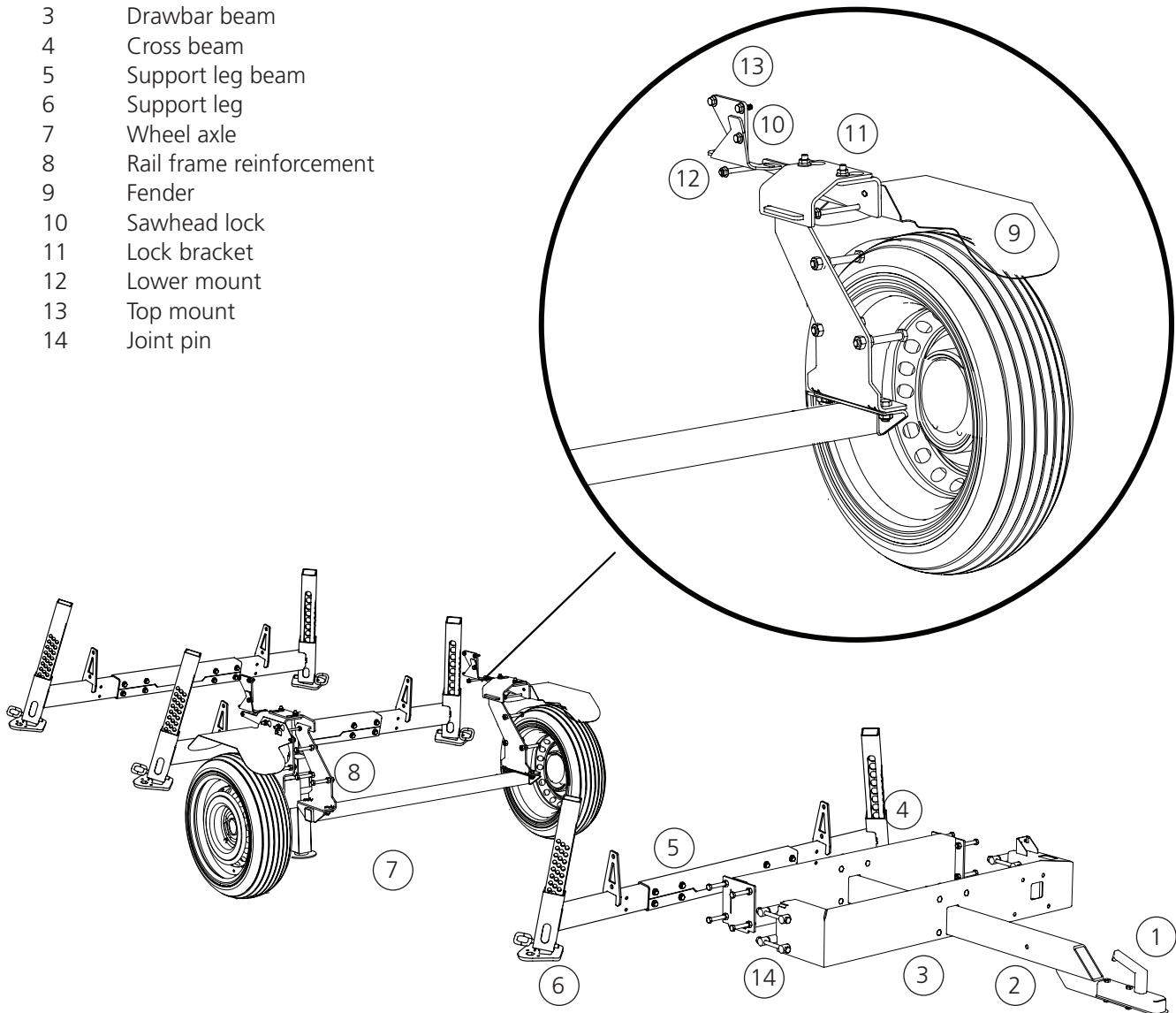
-  **WARNING!** Risk of crush injuries.
-  Keep people and pets outside the 5 m danger area around the machine while lifting and moving the machine parts. Secure the load during transport.
-  The sawmill trailer may only be moved when the sawhead is secured laterally and vertically on the rails as described in this manual.

Securing the sawhead: Secure the sawhead as described in this manual, using the supplied locking mechanism, before moving the sawmill.

COMPONENTS

Below the components are described to assist in identifying them during assembly.

- 1 Trailer coupler
- 2 Drawbar
- 3 Drawbar beam
- 4 Cross beam
- 5 Support leg beam
- 6 Support leg
- 7 Wheel axle
- 8 Rail frame reinforcement
- 9 Fender
- 10 Sawhead lock
- 11 Lock bracket
- 12 Lower mount
- 13 Top mount
- 14 Joint pin



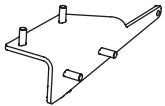
TRAILER KIT



Check that all components are included in the shipment.



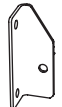
2 x V, 03-02384
H, 03-02382



2 x V, 02-00381
H, 02-00380



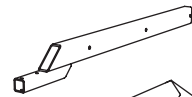
2 x 03-02312



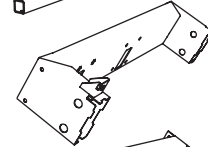
4 x V, 03-02279
H, 03-02278



2 x 03-02343



1 x 02-00368



1 x 02-00392 B1001
02-00416 B751 Pro



1 x 02-00366 B1001
02-00417 B751 Pro



2 x V, 03-02347
H, 03-02349



2 x 04-00237



1 x 04-00236 B1001
04-00326 B751 Pro



1 x 03-02342



2 x 03-02344



1 x 8020-001-0075



1 x 04-00226



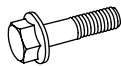
8 x 03-01814



**01-00614
x3**



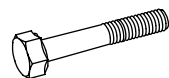
0000-000-0000
x3



8 x - M10x70



8 x - M10



4 x - M12x100 NV 18

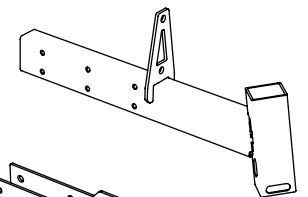


4 x - M12

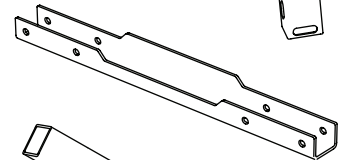


4 x - M12 NV18

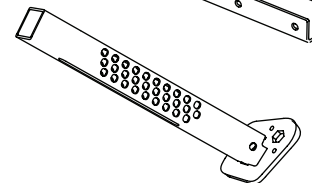
02-00475 — 2 x



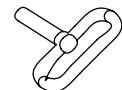
03-03020 — 2 x



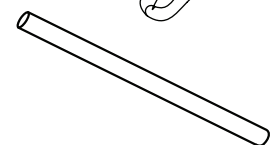
02-00474 — 2 x



04-00549 — 2 x



03-03042 — 1 x





04-00226

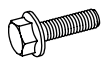
	2 x	M8 x12
	2 x	M8 x20
	2 x	M8 x25
	4 x	M8 x110
	2 x	M10 x65
	4 x	M12 x25
	22 x	M12 x90 NV18
	8 x	M12 x140
	30 x	M12 NV18
	22 x	M12
	4 x	M12
	10 x	M10
	4 x	M8
	4 x	M8
	2 x	Cylindrisk bult 12x80
	2 x	Härnålssprint



01-00508

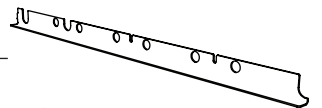


01-00570

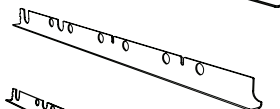


4 x M6 x35

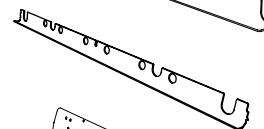
03-02649 _____ 2 x



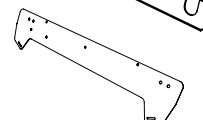
03-02648 _____ 2 x



03-02459 _____ 6 x

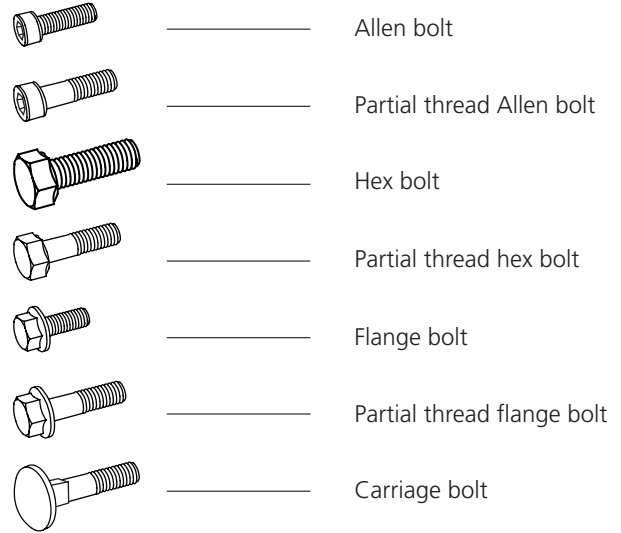
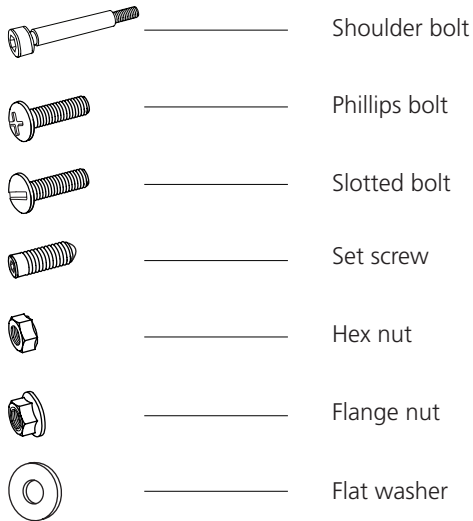


03-02488 _____ 2 x



BOLTS & NUTS

Definition of fasteners.



ADDITIONAL SYMBOLS

The following symbols are used as supplements to the symbols above to describe the design or function of the fasteners.



DIMENSIONS/LENGTH

The size of a fastener is written as a diameter measurement **(M)** ISO 68-1. For bolts, this is followed by a length measurement. The length of the bolt is measured from below the head to the tip of the bolt.

(Diameter) **(Length)**

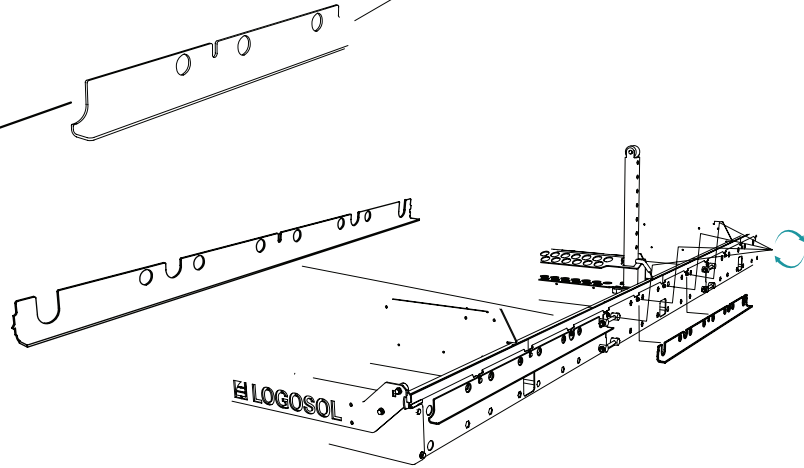
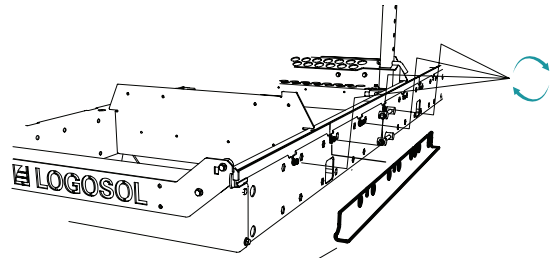
M8 x 20



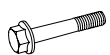
01-00508

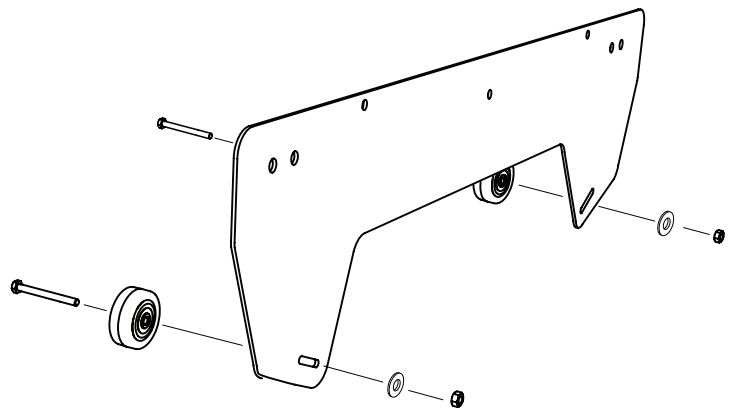
Start the assembly by fitting the new anti-tip plate conversion kit.


Secure the new anti-tip profiles with the bolts that hold the rails. Note that the assembly should begin and end with the 'end pieces'. Be careful not to loosen the screws too much as the nuts may fall out.




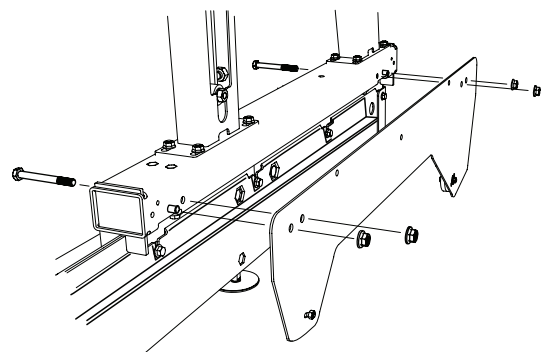
Fit the wheels to the anti-tip plate. Use the washer and nuts from the original assembly.

 2 x M 6 x 35



 2 x M 10 x 95

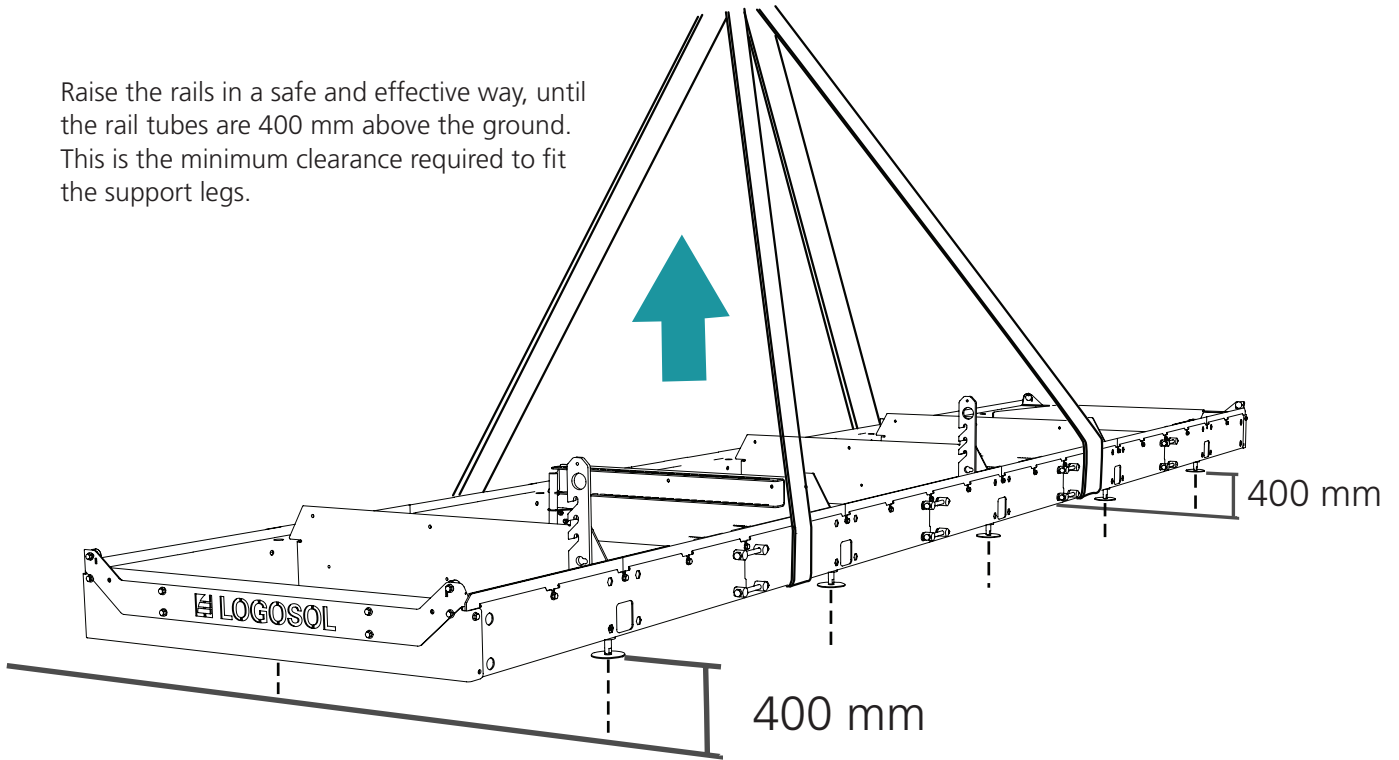
 4 x M 10



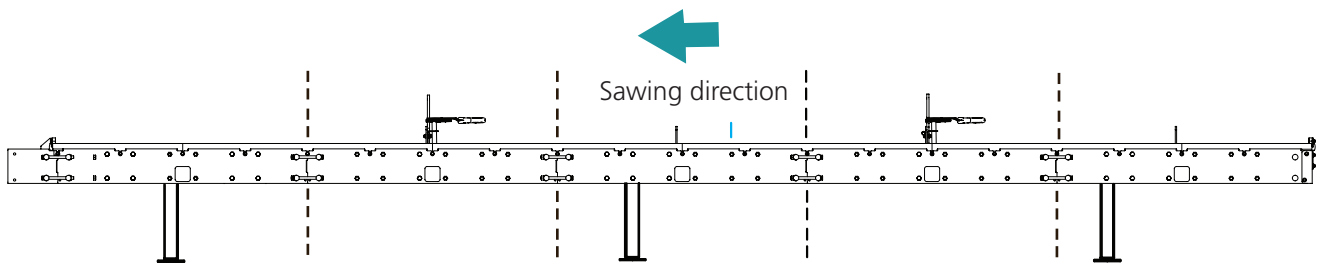


01-00614

Raise the rails in a safe and effective way, until the rail tubes are 400 mm above the ground. This is the minimum clearance required to fit the support legs.

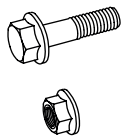


Recommended positions of the support legs on the rail frame.



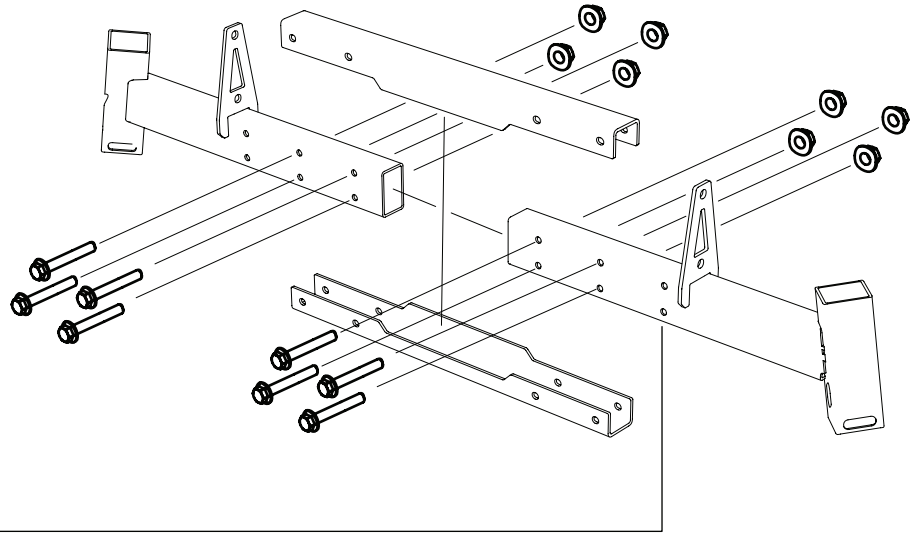


01-00614

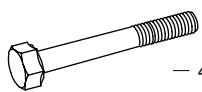
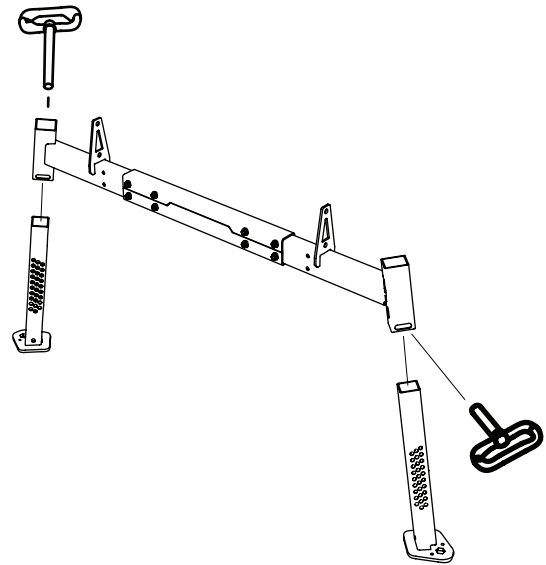


8 x – M10x70

8 x – M10



The inner row of holes is to be used on B751 Pro.



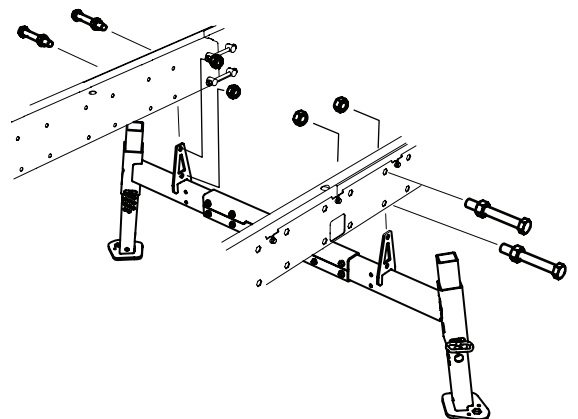
– 4x — M12x100 NV 18



– 4x — M12

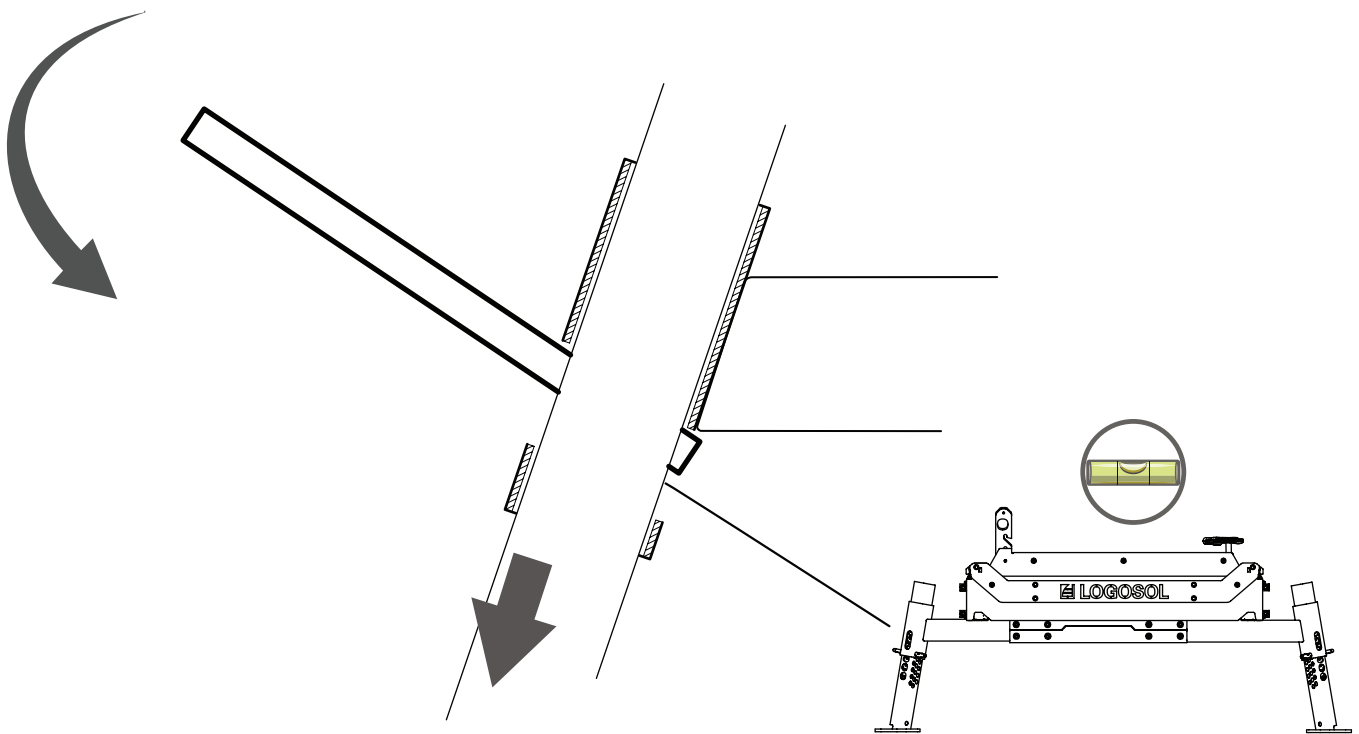
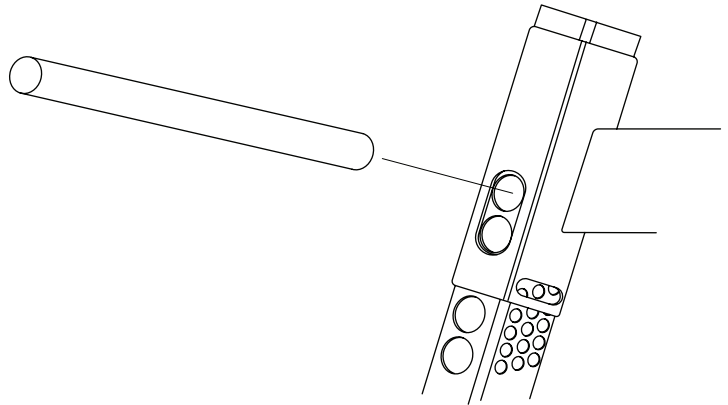


– 4x — M12



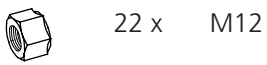
**01-00614****ADJUSTING THE LEVELNESS OF THE RAIL FRAME**

To ensure a good sawing result, it is important that the rails are completely level with each other. Place a spirit level on a cross bunk and adjust the support legs until the rails are on a level. Repeat this procedure on all cross bunks until the rails are on a level along the whole length of the rail frame.

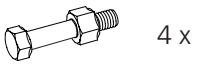




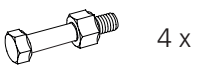
1



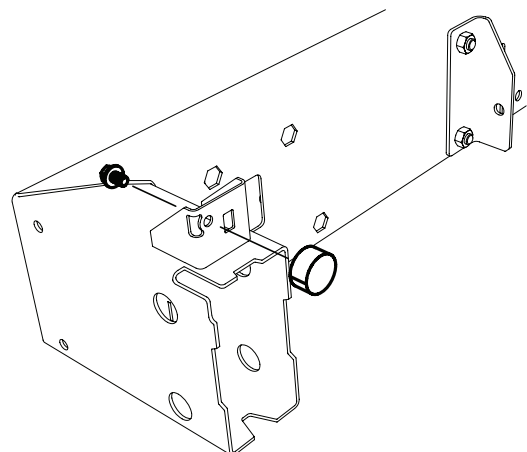
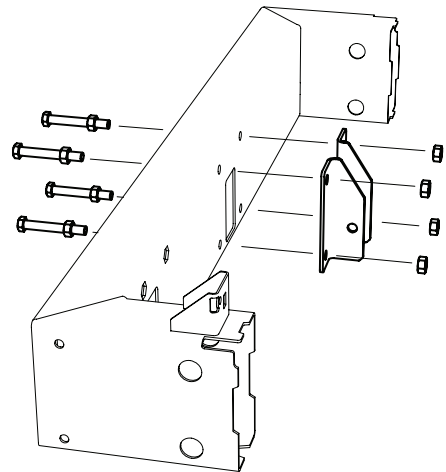
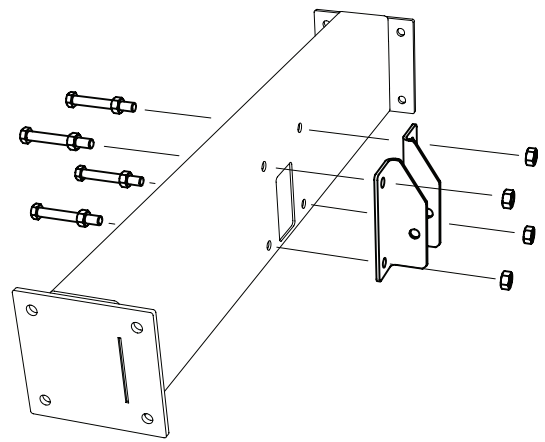
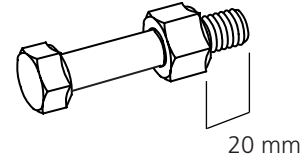
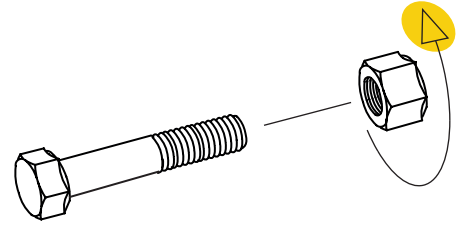
2



3



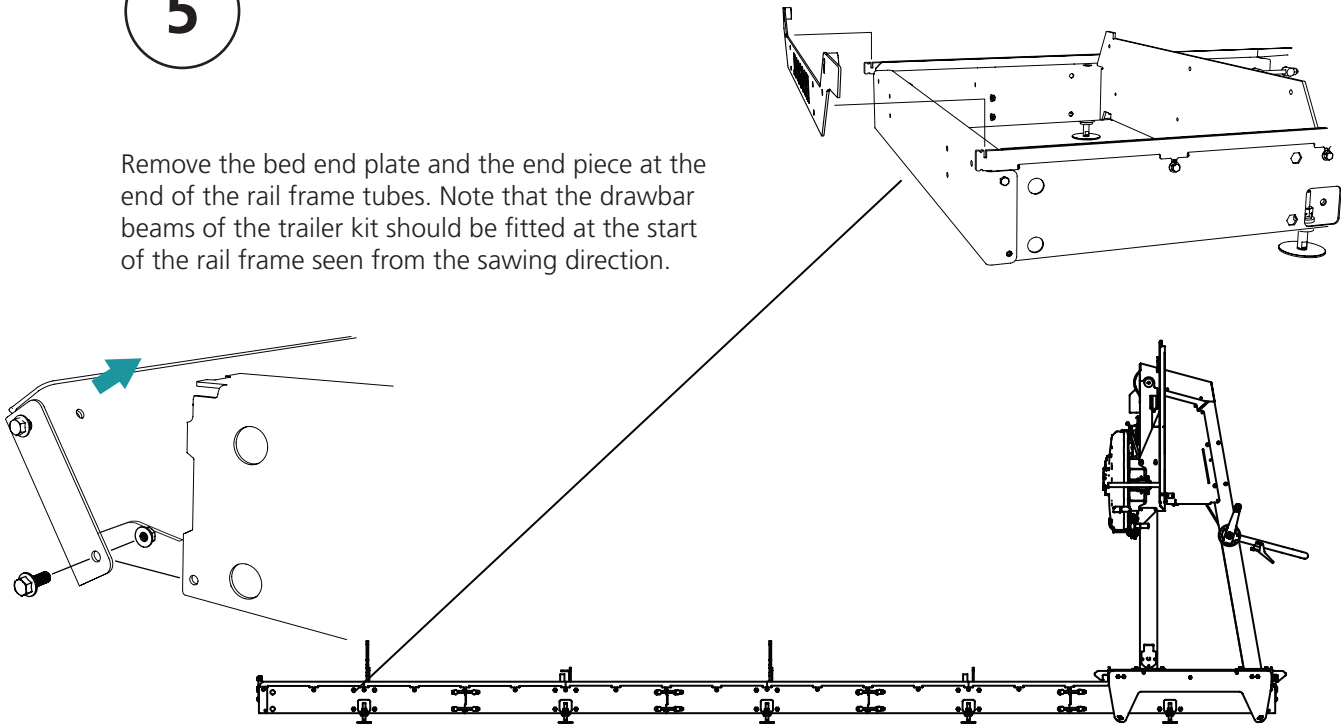
4





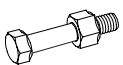
5

Remove the bed end plate and the end piece at the end of the rail frame tubes. Note that the drawbar beams of the trailer kit should be fitted at the start of the rail frame seen from the sawing direction.



6

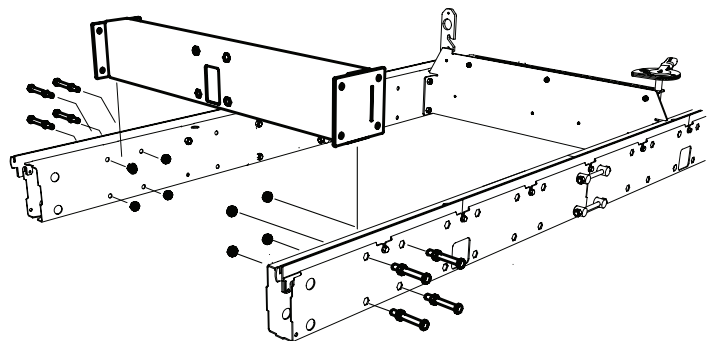
Fit the cross beam with bolts in the first hole pattern seen from the rail frame end. Finger-tighten the bolt joints.



8 x

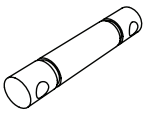


8 x M12

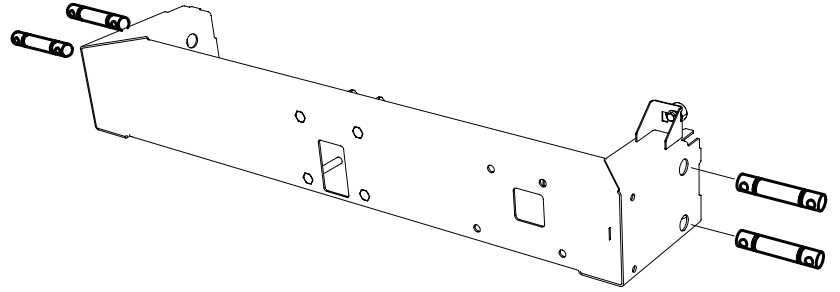




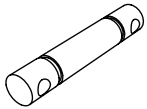
7



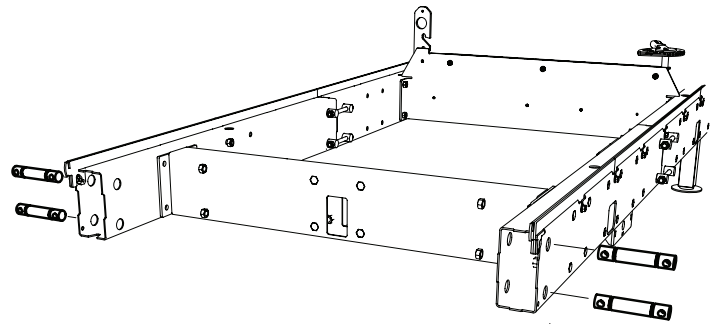
4 x



8

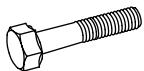
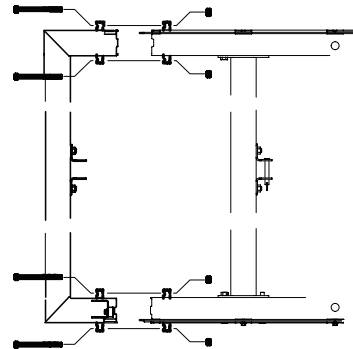


4 x



9

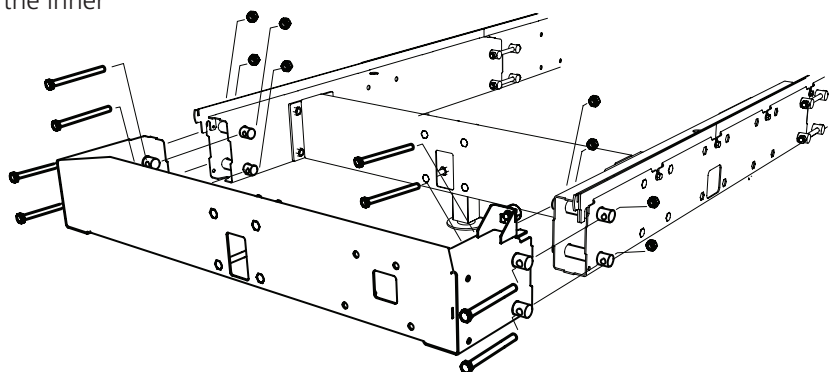
Fit the outer drawbar beam to the rail frame end. Make sure the joints are level with each other and then alternately tighten the interior and exterior nuts until the rail frame tubes match each other. When a good fit is reached, you tighten the bolt joints on both the inner and the outer drawbar beam.



8 x M12 x 140

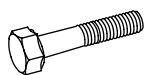


8 x M12





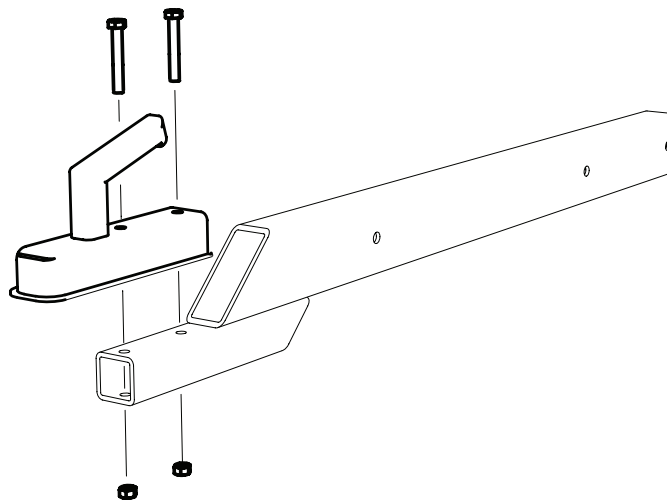
10



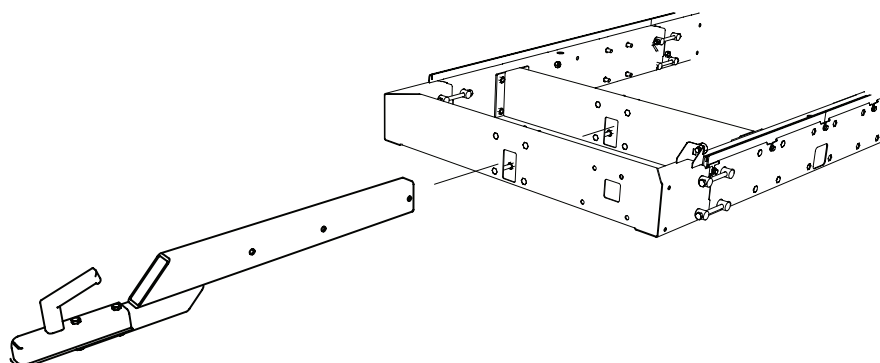
2 x M 10 x 65



2 x M 10



11



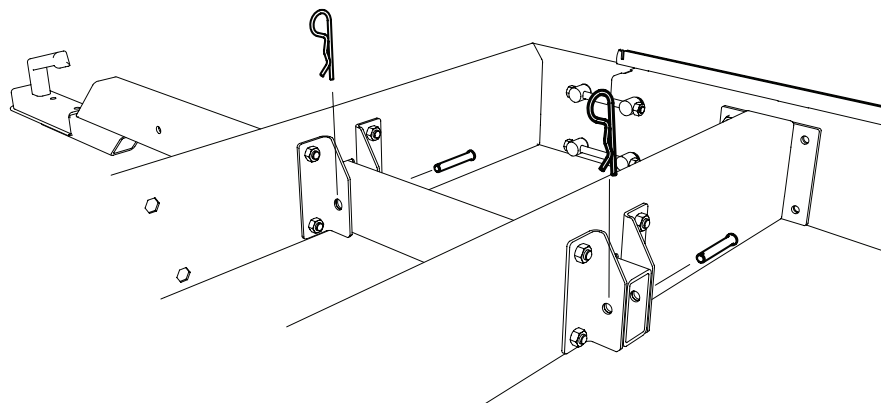
12



2x



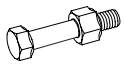
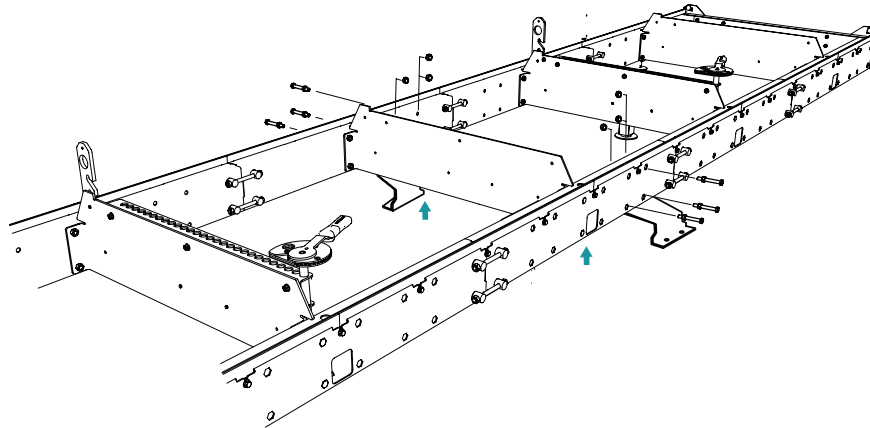
2x





13

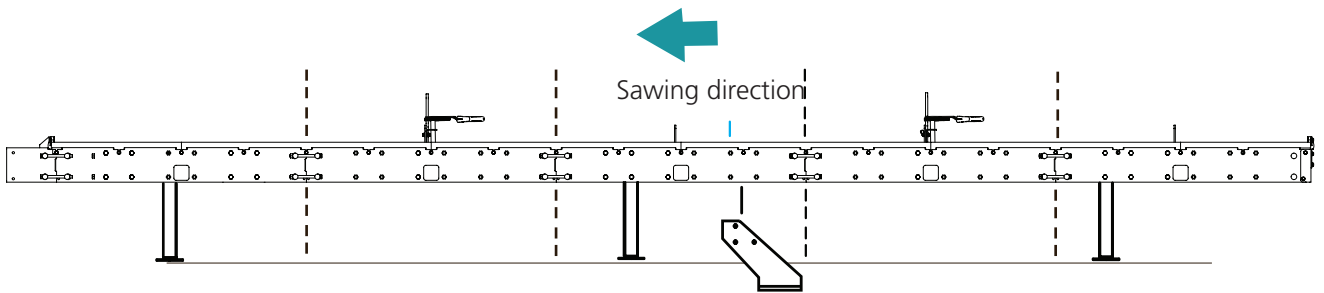
Fit the wheel axle mounts to the rail frame. Note their lateral position on the rail frame. The wheel axle mounts should be fitted right under the fourth rail joint (the drawbar beam joint is included) seen from the sawing direction.



6 x

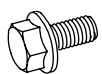
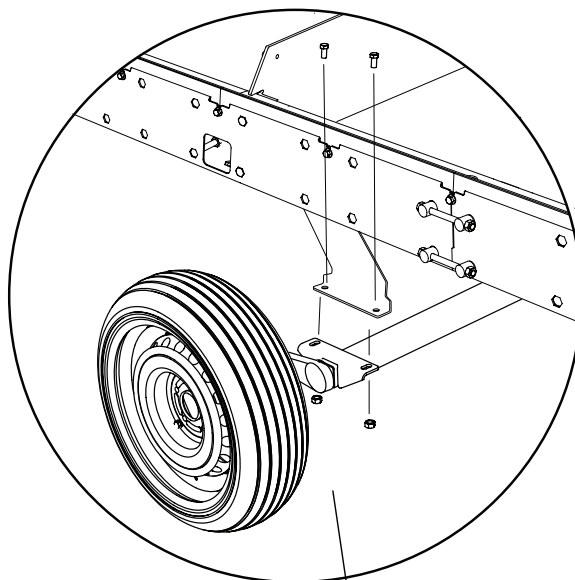


6 x M12



14

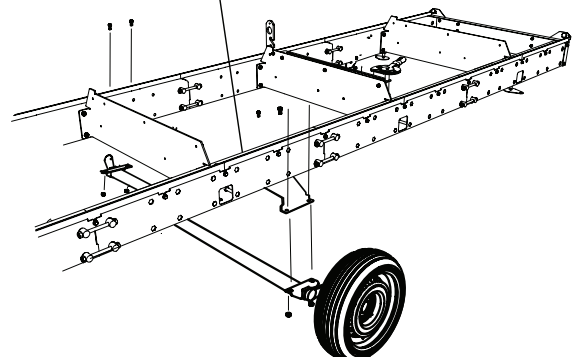
Fit the wheel axle to the wheel axle mounts. Note the lateral position of the wheel axle mounts on the rail frame, shown in the illustration.



4 x M12 x 25



4 x M12

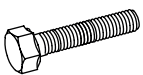




Good job!

Now it is time to install the sawhead locking mechanism.

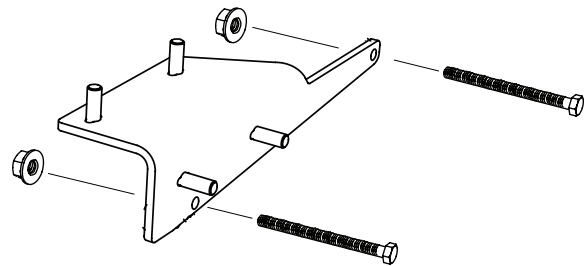
1



2 x M8 x 110



2 x M8

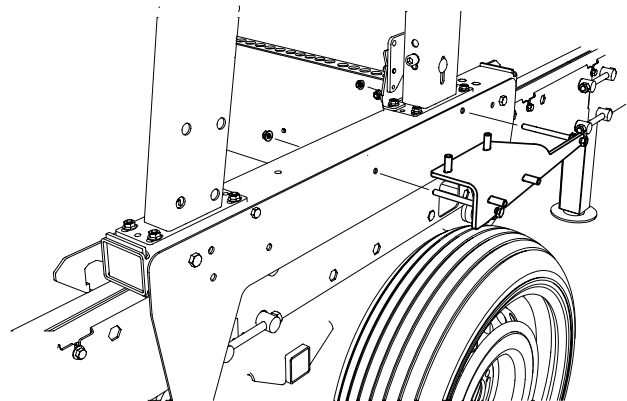


2

Fit the sawhead lock to the bogie tube.
Repeat this step on the other bogie tube.

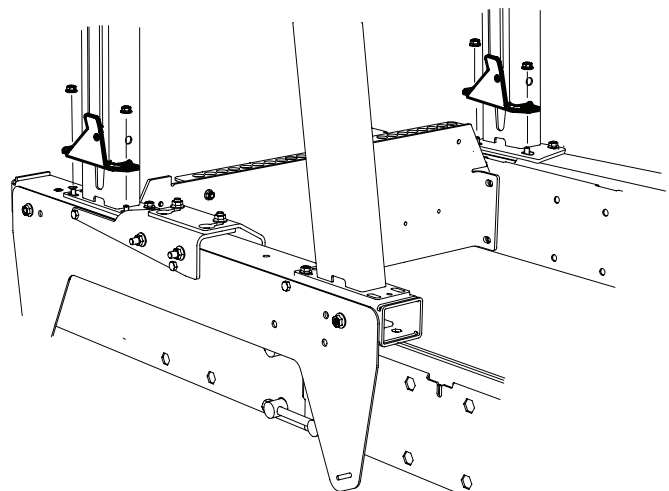


2 x M8



3

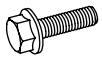
Fit the lower sawhead lock mounts to the bottom plates of both the sawhead bogie legs. Be careful when loosening the bolt joints; the bolts can easily fall out of the square tube on the underside.





4

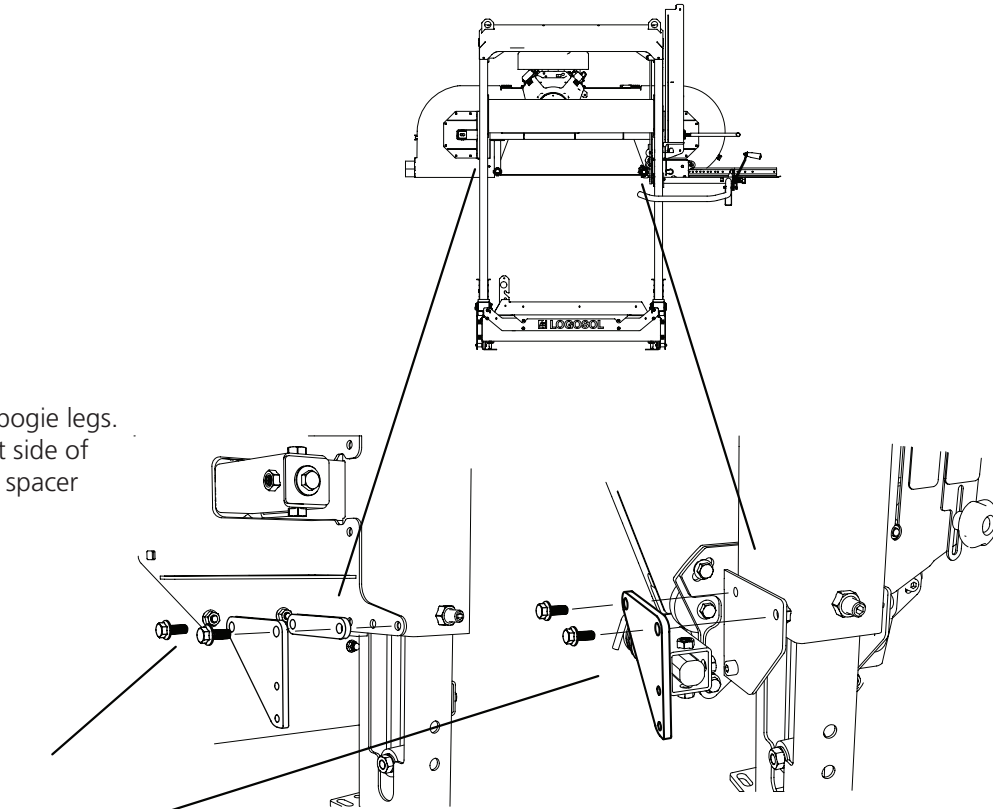
Fit the top mounts to the sawhead bogie legs.
Note that the mount on the exhaust side of
the sawhead has to be fitted with a spacer
between it and the bogie leg.



2 x M8 x 25



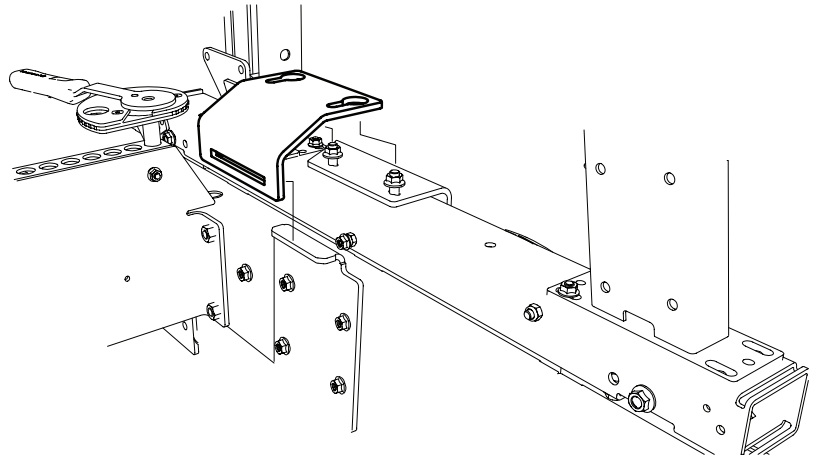
2 x M8 x 20



FUNCTIONS

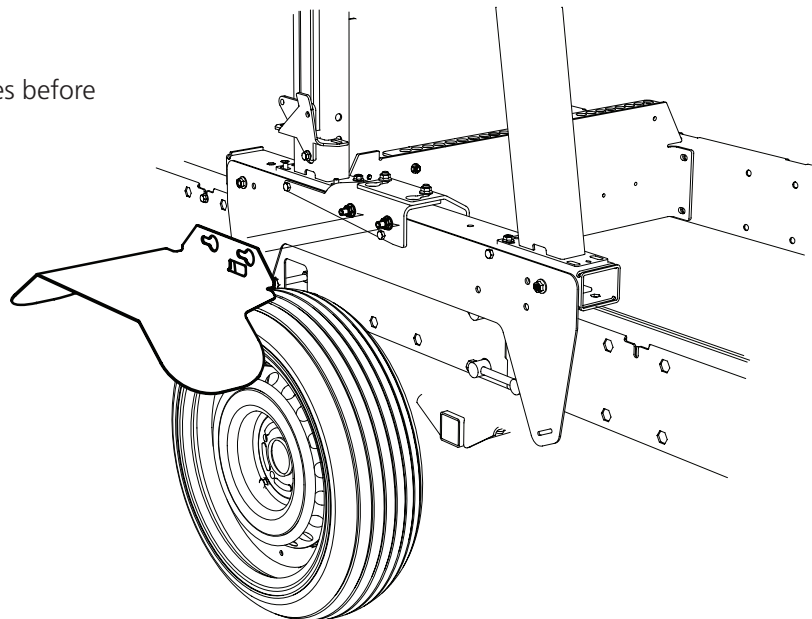
LOCKING THE SAWHEAD

Secure the sawhead with the lock bracket before transport.



FENDERS

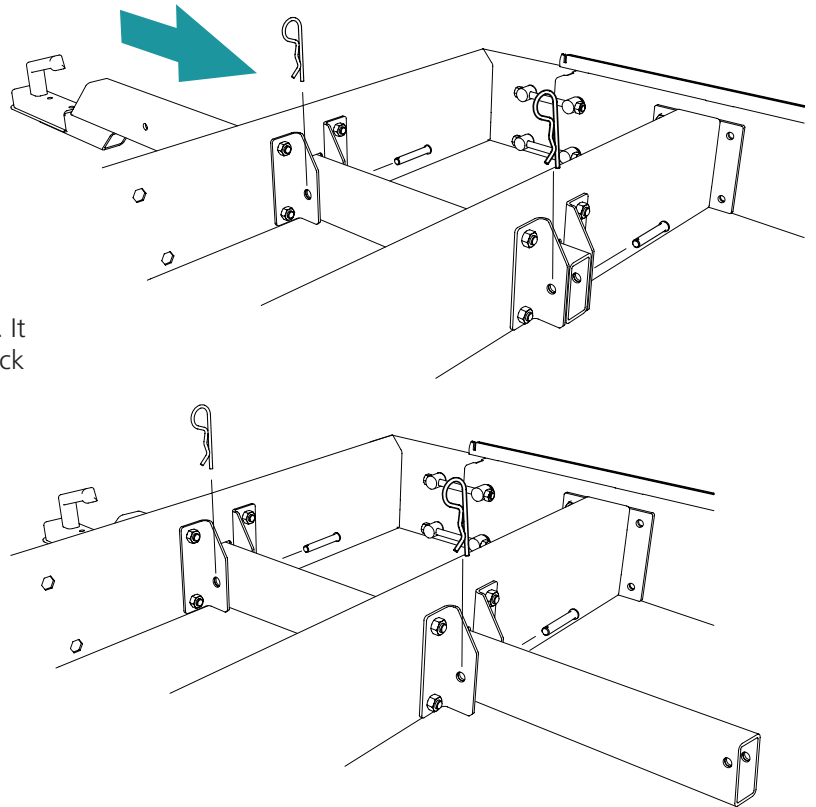
Fit the fenders to the attachment plates before transporting the sawmill.



FUNCTIONS

THE POSITIONS OF THE DRAWBAR

The trailer drawbar can be set to two positions. It can be pulled out for transport, and pushed back for a better access around the sawmill.





Fiskaregatan 2, 871 33 Härnösand, SWEDEN
+46 611 182 85 | info@logosol.com | www.logosol.com