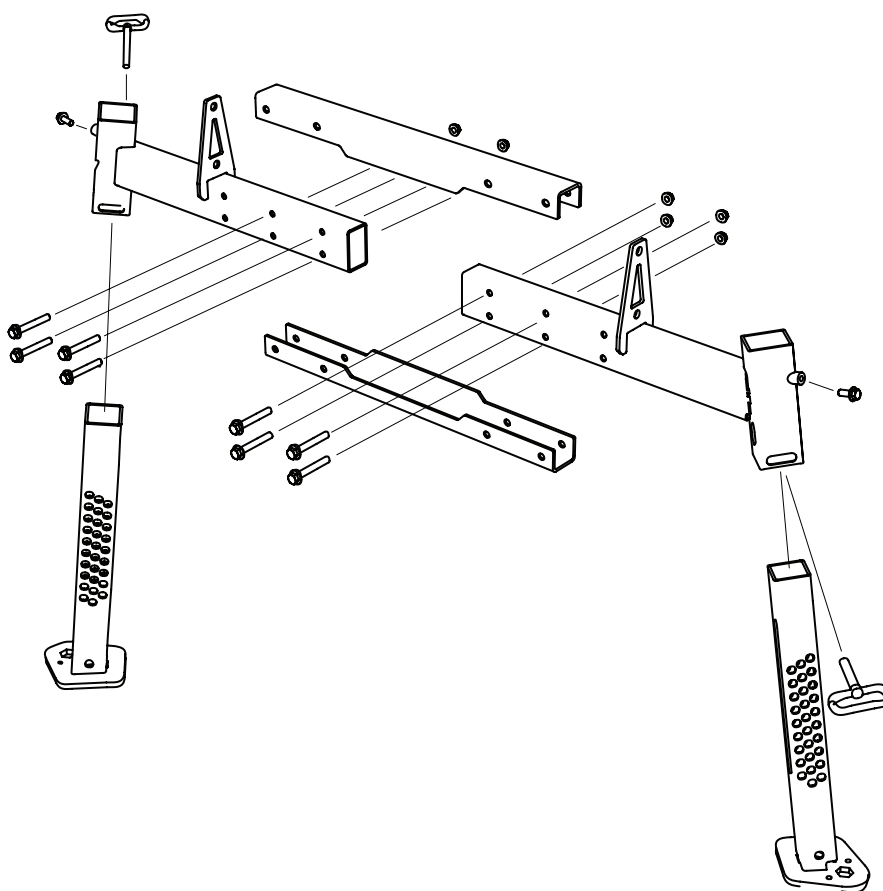


# USER MANUAL

Ref. No. 0458-395-2231

REV: 2



## SUPPORT LEGS

B1001 / B751 PRO

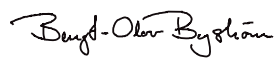
# THANK YOU FOR CHOOSING A LOGOSOL MACHINE!

**W**e are very pleased that you have demonstrated your confidence in us by purchasing this product, and we will do our utmost to meet your expectations.

Logosol has been manufacturing sawmills since 1989. In that time we have supplied approximately 50,000 machines to satisfied customers the world over.

We care about your safety as well as we want you to achieve the best possible results with your equipment. We therefore recommend that you take the time to carefully read this user manual from cover to cover in peace and quiet before you begin using the product.

We hope you get a lot of satisfaction from the use of your new equipment.



**Bengt-Olov Byström**  
Founder,  
Logosol in Härnösand, Sweden



Read through the user manual carefully and make sure you understand its contents before you use the equipment.



This user manual contains important safety instructions.



**WARNING!** Incorrect use can result in serious or fatal injuries to the operator or others.



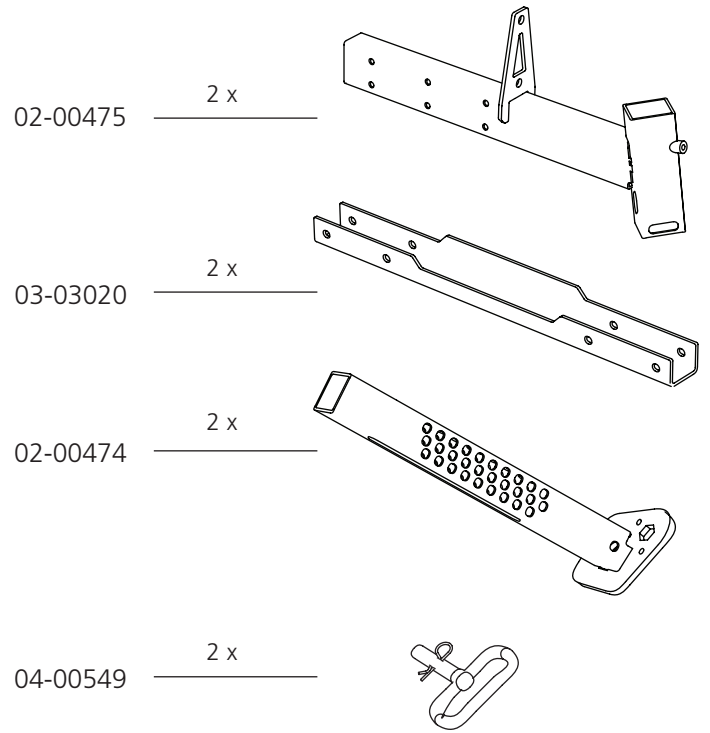
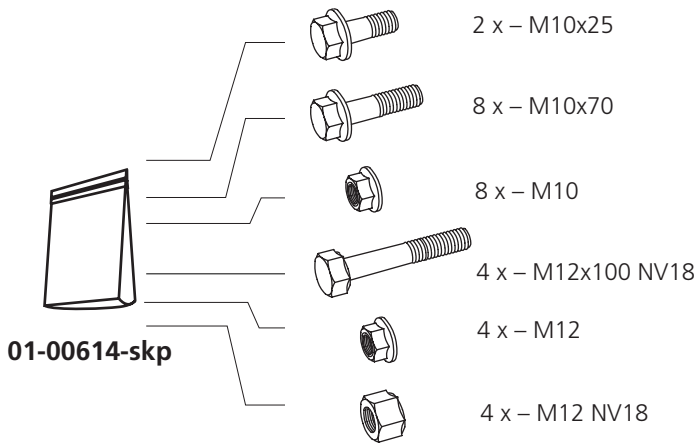
LOGOSOL continuously develops its products. For this reason, we must reserve the right to modify the configuration and design of our products.  
Document: User manual for support legs  
Ref. No. User Manual, English: 0458-395-2231  
Text: Martin Söderberg  
Illustrations: Martin Söderberg, Anna Fossane  
Last revised: December 2022  
© 2022 LOGOSOL, Härnösand Sweden

# SAFETY INSTRUCTIONS

- Read carefully through the entire user manual before starting to use the equipment. Failure to observe these safety instructions may result in fatal injuries.
- Make sure that everyone who uses the sawmill is well informed of the dangers and has read the user manual. The user manual shall always be available to the persons working with the sawmill. This also applies where the sawmill is sold or loaned out.
- Minors under 18 years of age are not allowed to operate the sawmill.
- Make sure that children and animals are not in the vicinity when the sawmill is being operated.
- Respect the safety distances to avoid injuries from high noise levels and from a broken blade that is thrown off.
- Anyone working with the sawmill must be fit for work, healthy and in good physical condition. Make sure you take regular breaks when operating the machine. Never operate the machine while under the influence of alcohol, narcotics or other drugs or medicines that can cause drowsiness or inattention.
- Only work with the equipment where visibility is good. Never work with the equipment in the dark or where visibility is poor.
- Make sure there are other persons within earshot who you can summon if you need help.
- Only add extra equipment to the sawmill that is made by Logosol or that is specifically approved by Logosol for the purpose. Other equipment can cause accidents and should not be used. Logosol will not accept liability for personal injury or material damage that occurs while using non-approved attachments on the sawmill.
- Always wear protective clothing and use personal protective equipment: Close-fitting work overalls are appropriate. Never operate the sawmill wearing loose-fitting clothes, overall coats or similar. Use safety shoes with high-grip soles and steel toecaps. Neckerchiefs, ties, jewellery or other items that can get caught in the equipment are not to be worn.

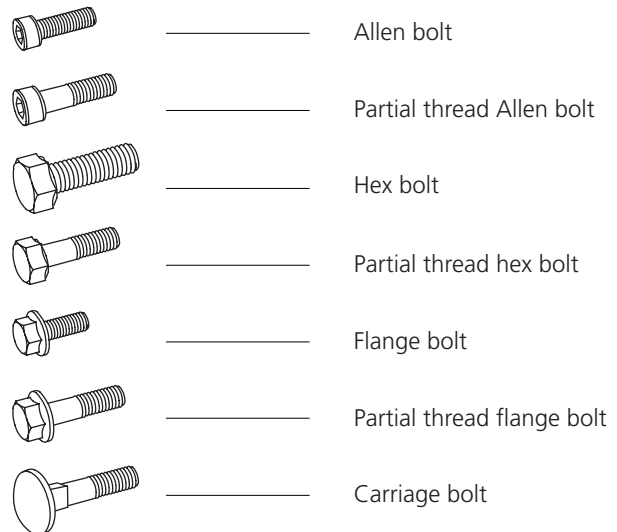
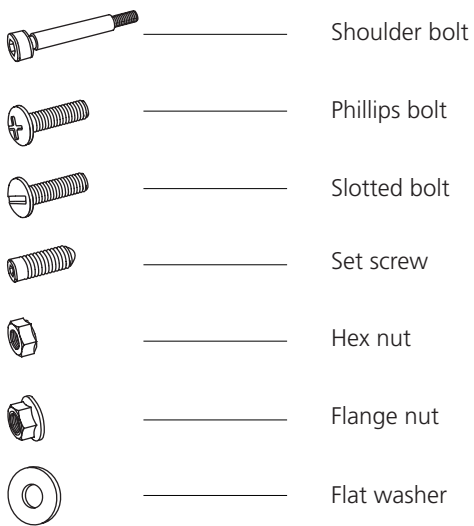


## 8310-001-0050



## BOLTS & NUTS

Definition of fasteners.



## ADDITIONAL SYMBOLS

The following symbols are used as supplements to the symbols above to describe the design or function of the fasteners.



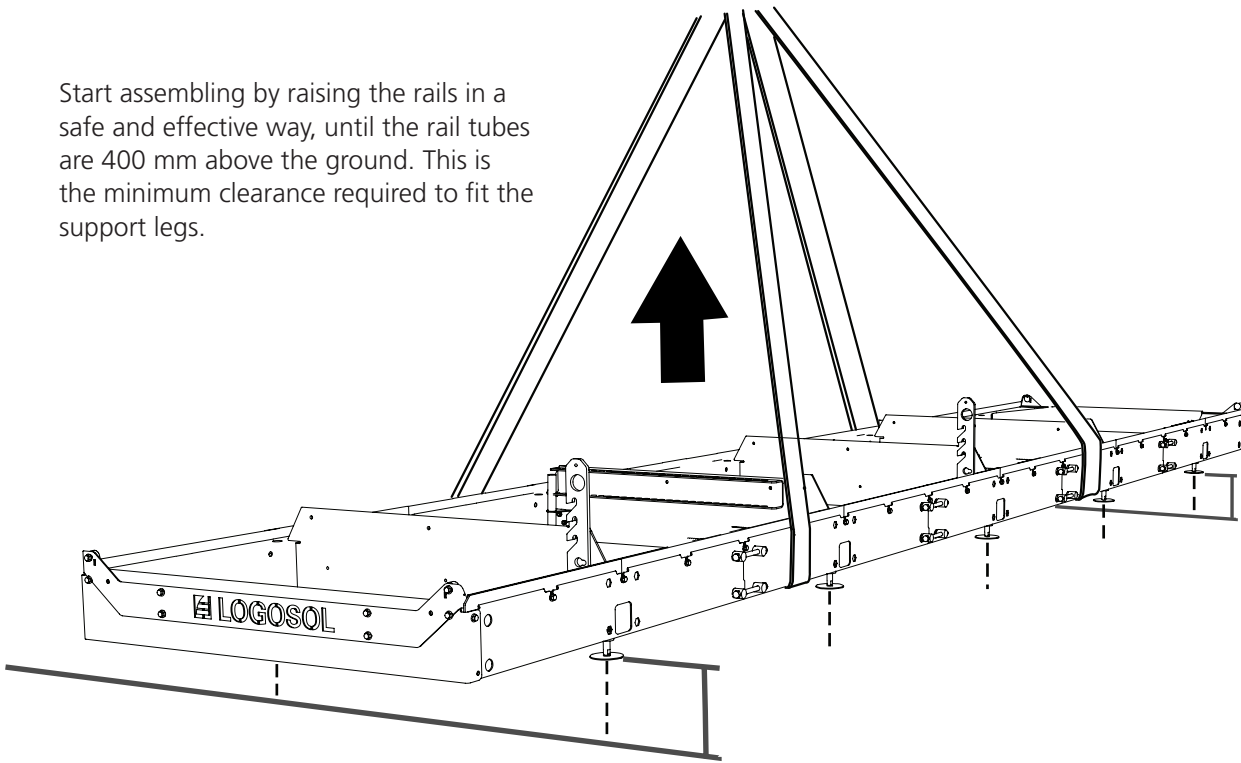
## DIMENSIONS/LENGTH

The size of a fastener is written as a diameter measurement (**M**) ISO 68-1. For bolts, this is followed by a length measurement. The length of the bolt is measured from below the head to the tip of the bolt.

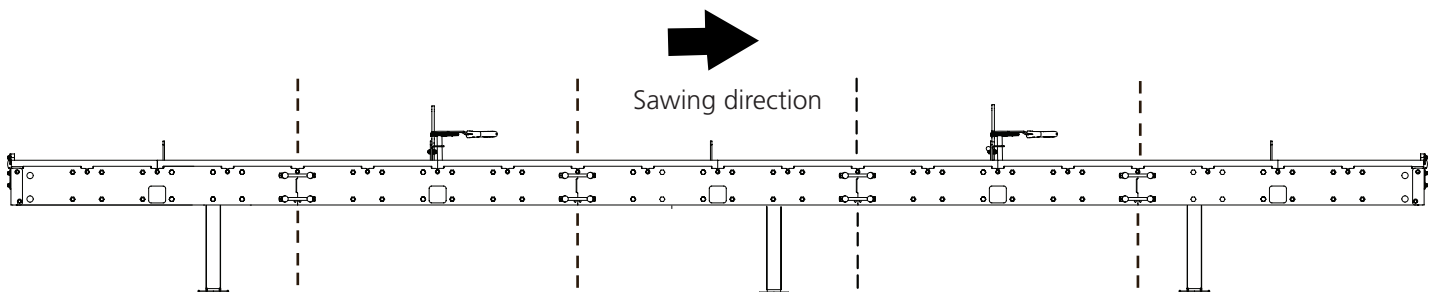
(Diameter) (Length)  
M8 x 20

**8310-001-0050**

Start assembling by raising the rails in a safe and effective way, until the rail tubes are 400 mm above the ground. This is the minimum clearance required to fit the support legs.



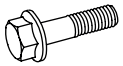
Recommended positions of the support legs on the rail frame.





**8310-001-0050**

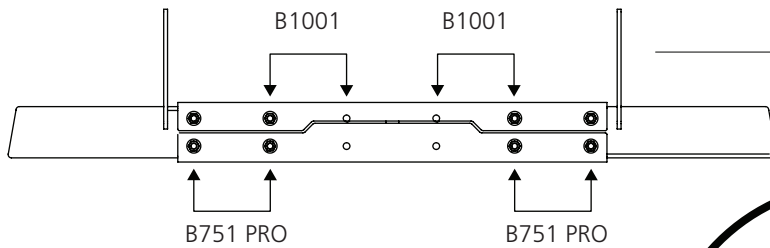
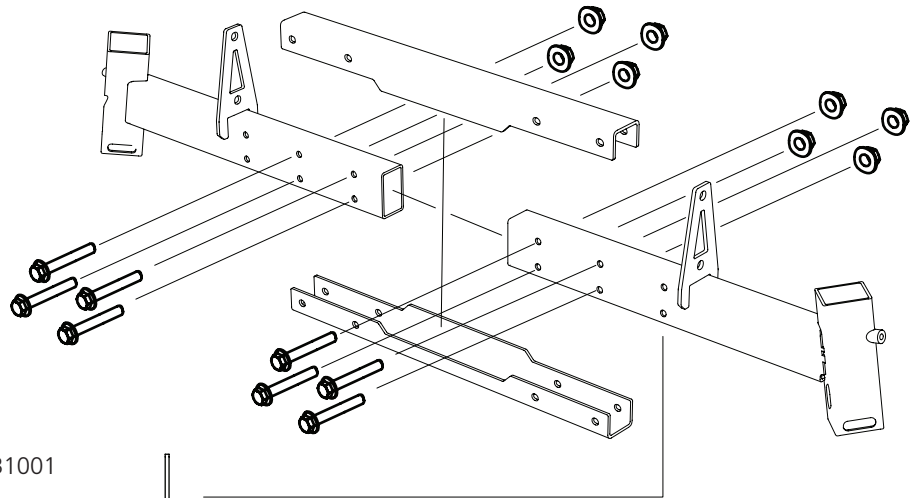
**1**



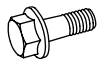
8 x - M10x70



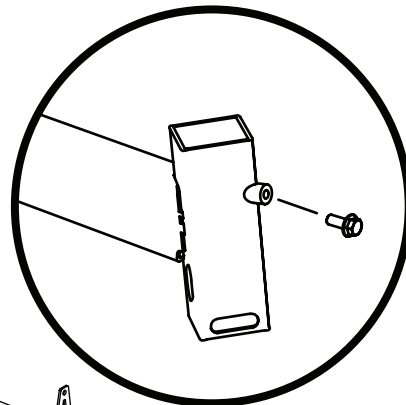
8 x - M10



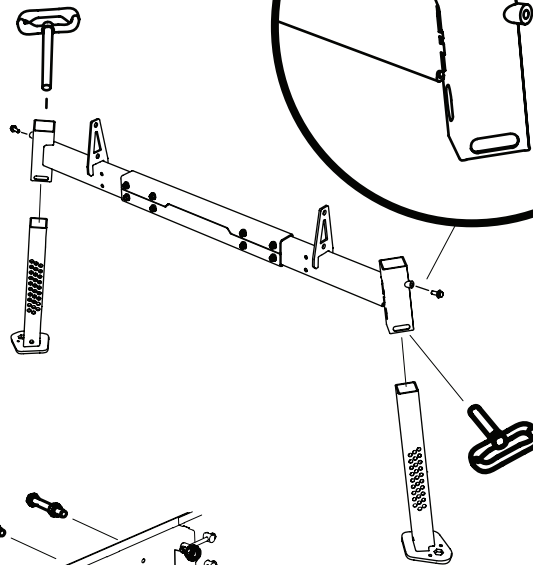
**2**



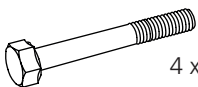
2 x - M10x25



Screw the locking screw about 10 mm into the two outer square tubes.



**3**



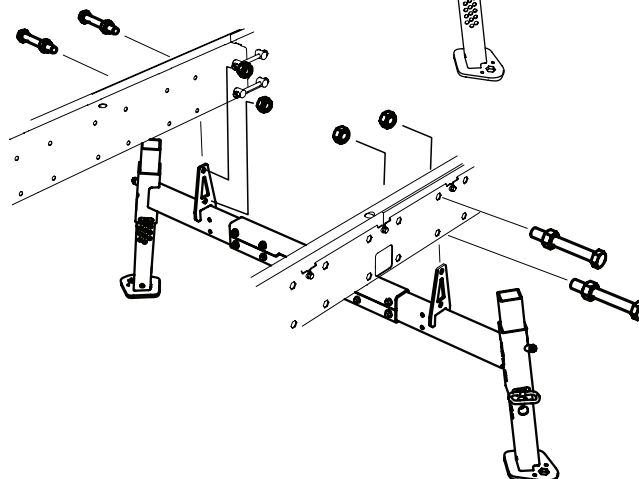
4 x - M12x 100



4 x - M12



4 x - M12



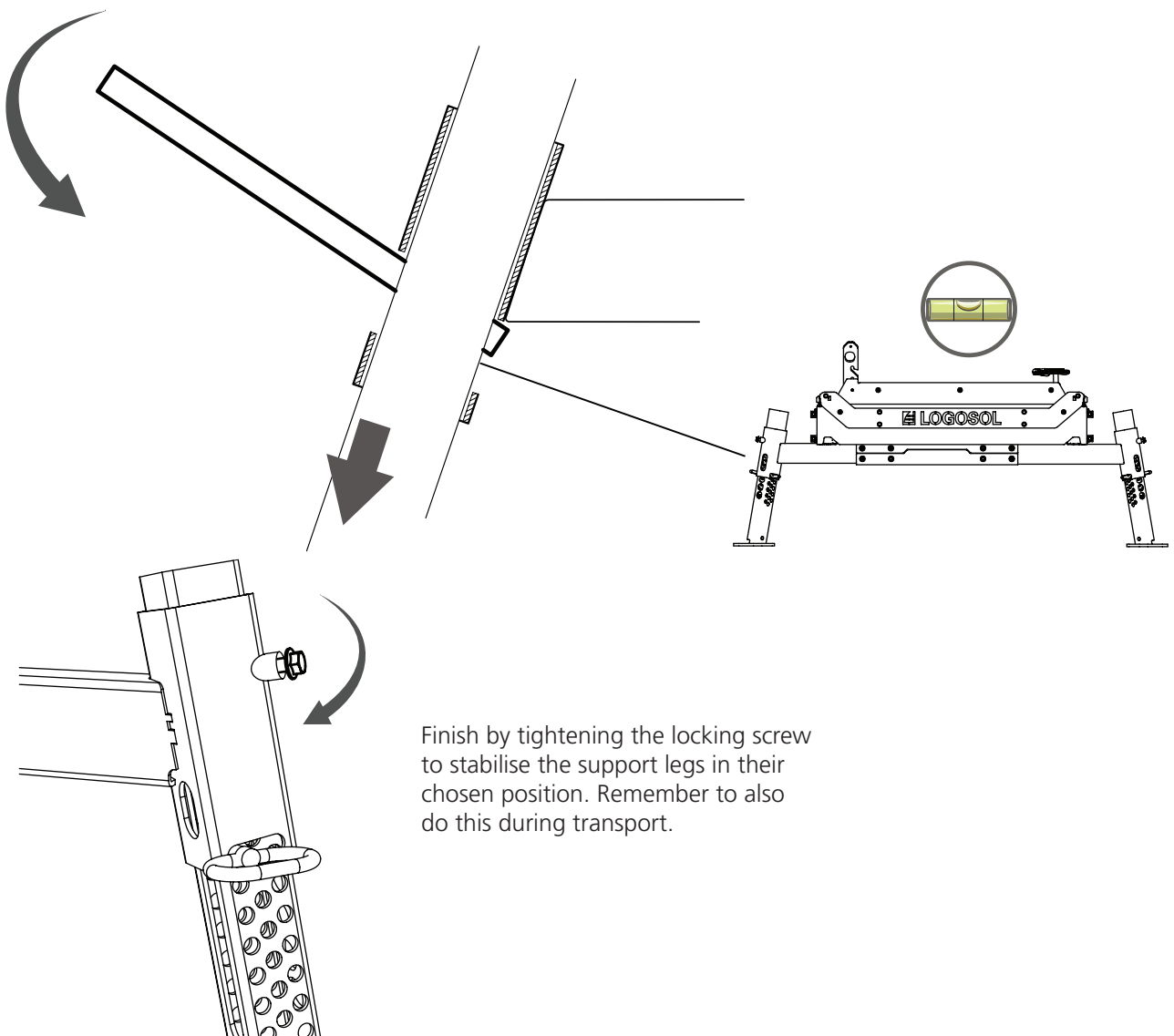
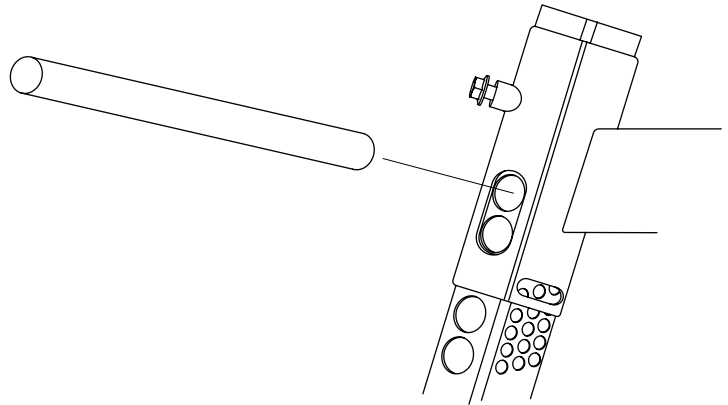


**8310-001-0050**

### ADJUSTING THE LEVELNESS OF THE RAIL FRAME

To ensure a good sawing result, it is important that the rails are completely level with each other. Place a spirit level on a cross bunk and adjust the support legs until the rails are on a level. Repeat this procedure on all cross bunks until the rails are on a level along the whole length of the rail frame.

**Advice!** Cut some wooden discs to use as distances between the foot of the support legs and the ground, if the unevenness of the ground exceeds the reach of the support legs.



Finish by tightening the locking screw to stabilise the support legs in their chosen position. Remember to also do this during transport.



Fiskaregatan 2, 871 33 Härnösand, SWEDEN  
+ 46 611 182 85 | [info@logosol.com](mailto:info@logosol.com) | [www.logosol.com](http://www.logosol.com)