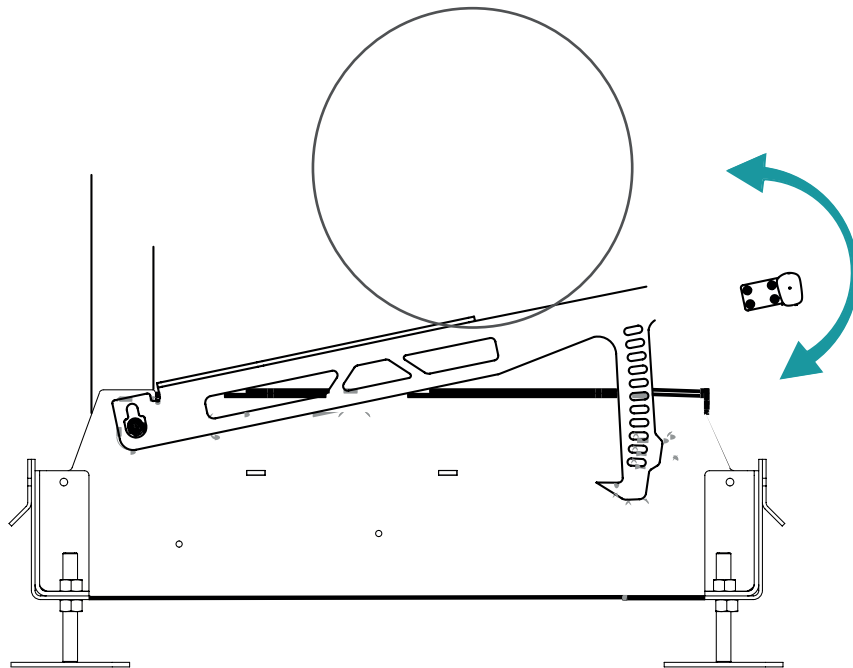


USER MANUAL

TRANSLATION OF ORIGINAL USER MANUAL

Ref. no. 0458-395-5013



MANUAL TOE BOARD



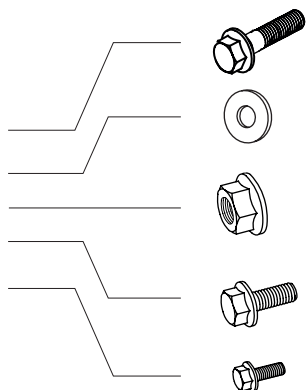
Read through the user manual carefully and make sure you understand its contents before you use the equipment.

COMPONENTS

Check that all the components are included in the shipment.



Bolt bag
8200-005-0050



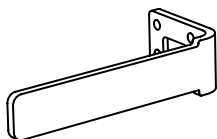
- 1 x — Hex bolt M8x50 9007-319-1850
- 3 x — Flat washer M8 9291-021-0180
- 3 x — Tensilock nut M8
- 1 x — Flange bolt M8x20 9018-346-1800
- 4 x — Flange bolt M5x16 9018-346-0516



- 1 x — Spacer sleeve 11mm 9291-020-0005



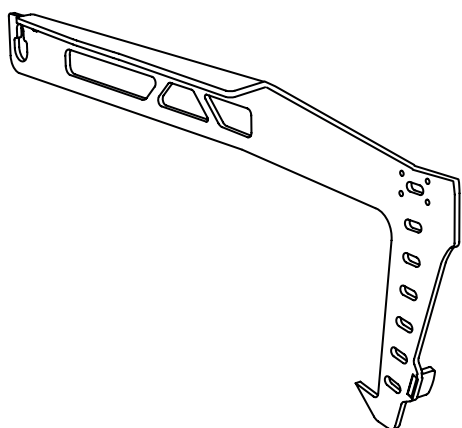
- 1 x — Plastic handle 03-01782



- 1 x — Handle plate 03-02067



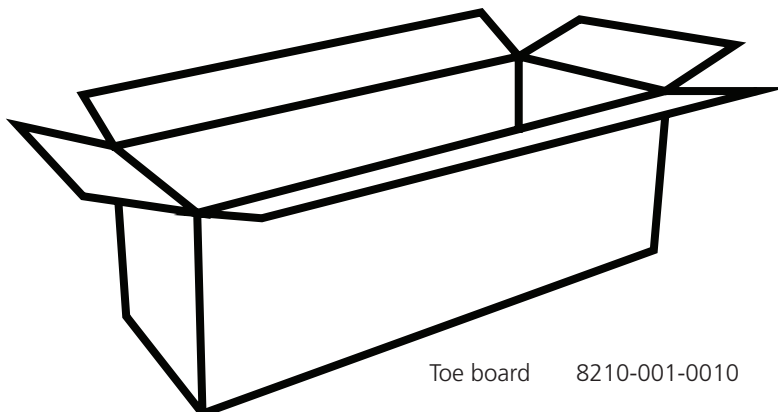
- 1 x — Hook 03-02068



- 1 x — Lifting arm 02-00351



User manual 0458-395-5013



Toe board 8210-001-0010

ASSEMBLY

The toe board is an optional attachment for the sawmill and should be fitted to one of the cross bunks.



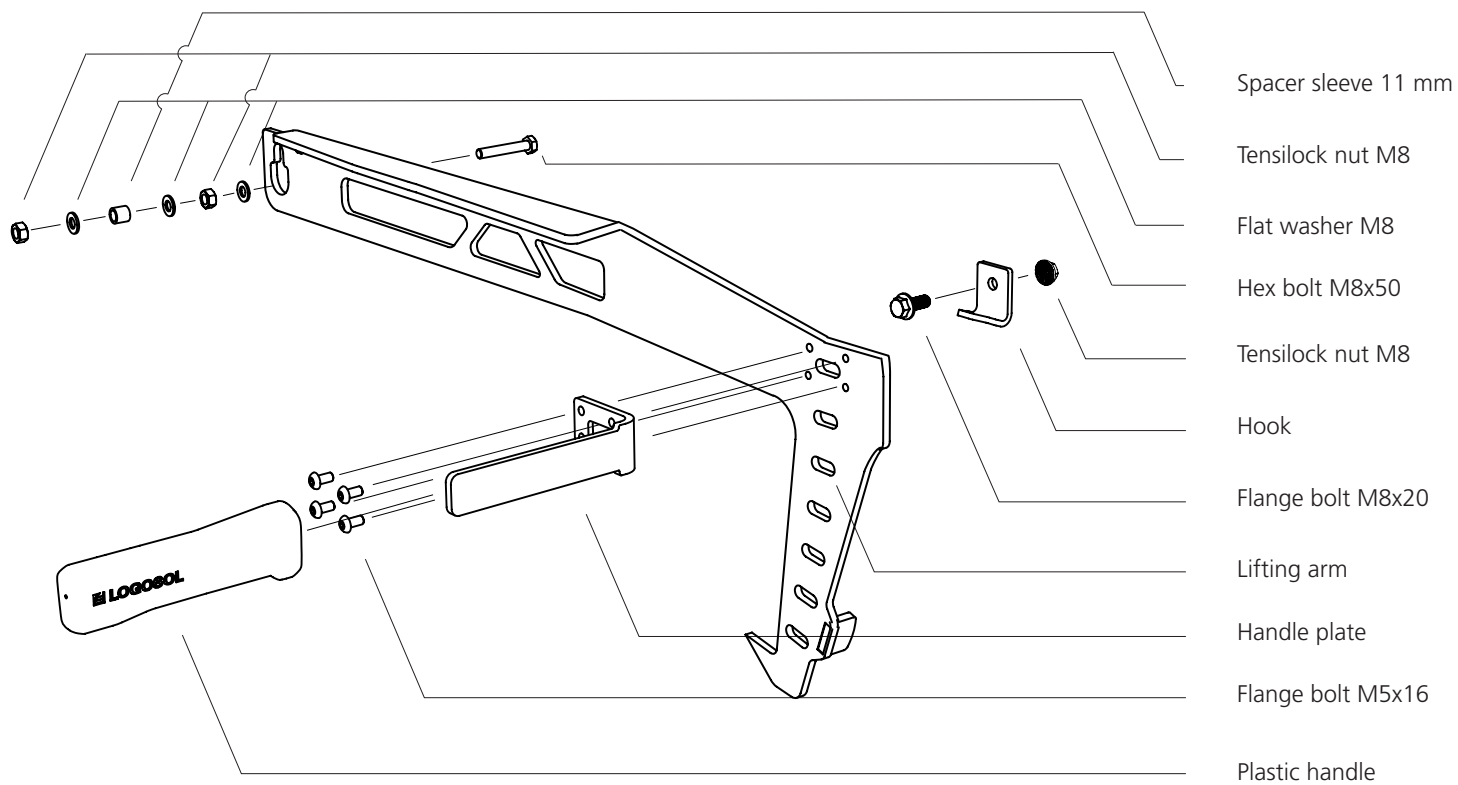
Read all the assembly instructions before beginning the assembly, and then follow the step-by-step instructions during the assembly.



Order of assembly

EXPLODED VIEW


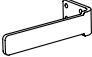
Toe board

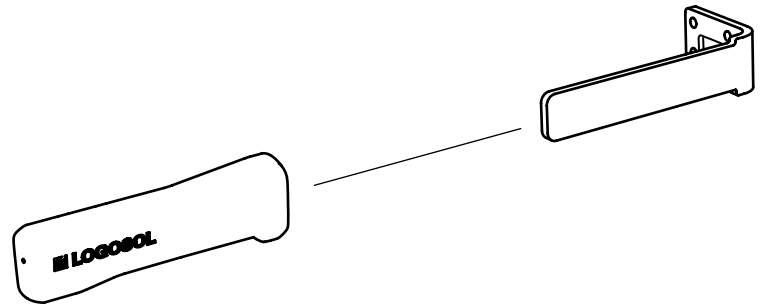


ASSEMBLY

1



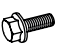
Fit the plastic handle on the handle plate.

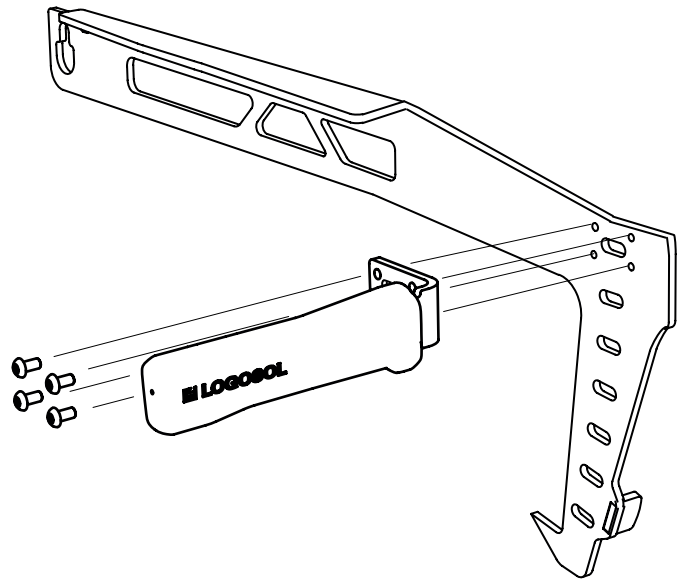
-  - 1 x — Handle
-  - 1 x — Handle plate



2




Screw the handle to the lifting arm.

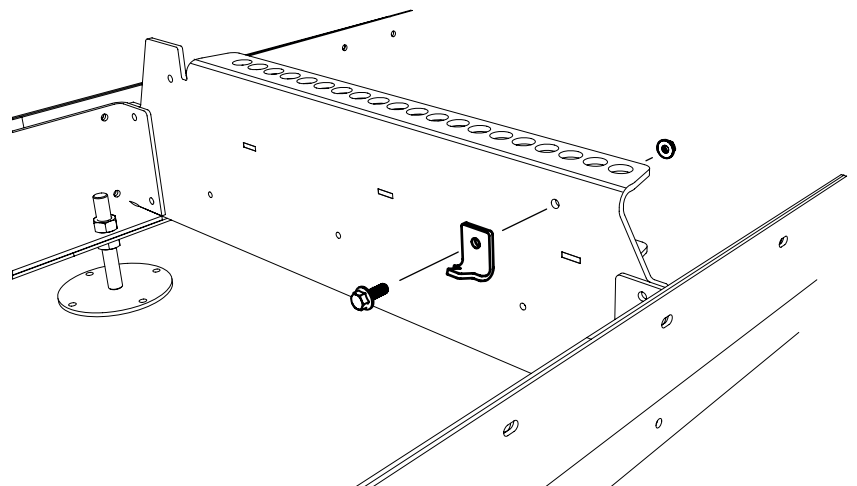
-  - 1 x — Lifting arm
-  - 1 x — Handle
-  - 4 x — Flange bolt M5x16



3

Screw the hook to the cross bunk.





-  - 1 x — Hook
-  - 1 x — Flange bolt M8x20
-  - 1 x — Tensilock nut M8



ASSEMBLY

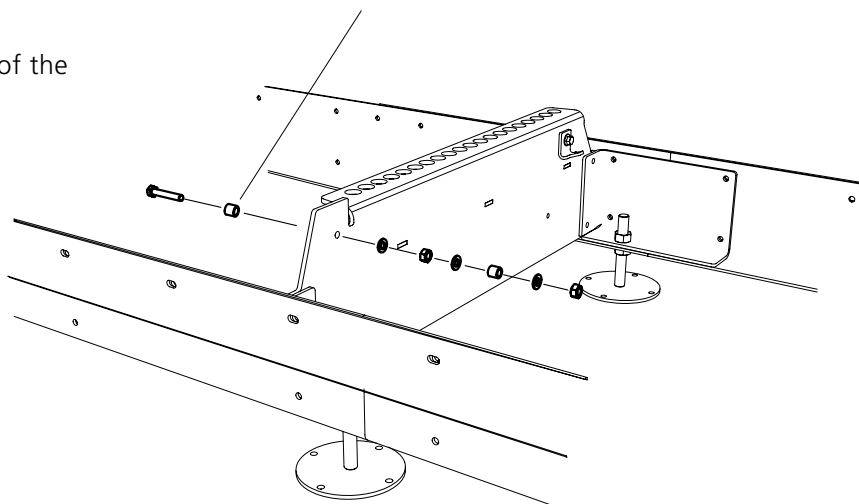
4

Fit the bolting in the cross bunk. Note that one of the spacer sleeves is taken from the cross bunk.

-  — 1 x — Hex bolt M8x50
-  — 3 x — Flat washer M8
-  — 2 x — Tensilock nut M8
-  — 1 x — Spacer sleeve 11mm

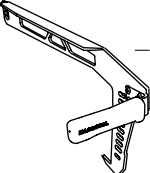


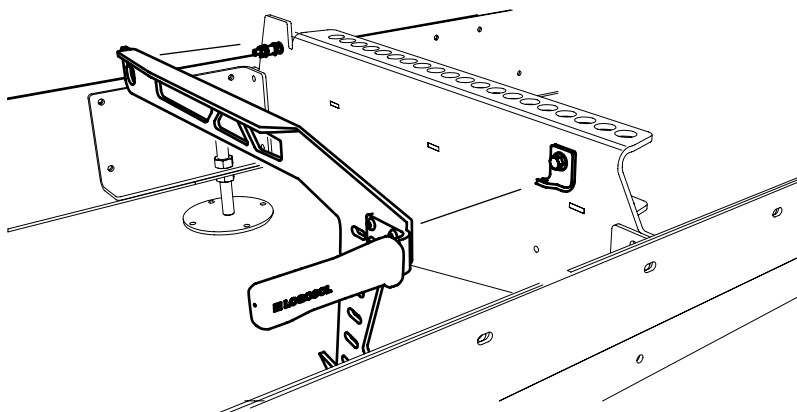
Spacer sleeve taken from the cross bunk.



5

Hang the toe board up on the attachment points on the cross bunk.

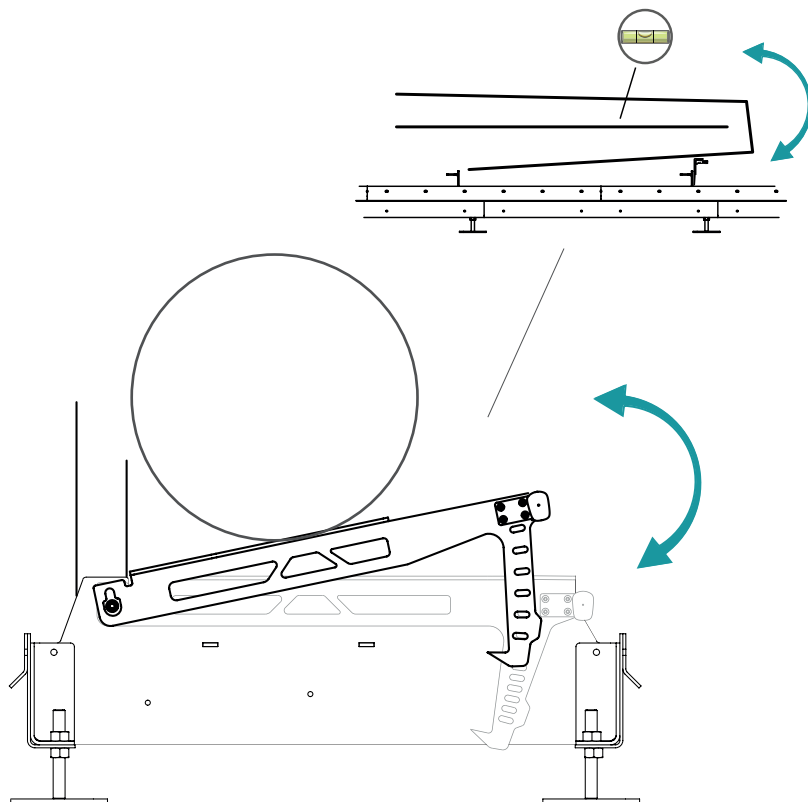
-  — 1 x — Toe board



USING THE TOE BOARD

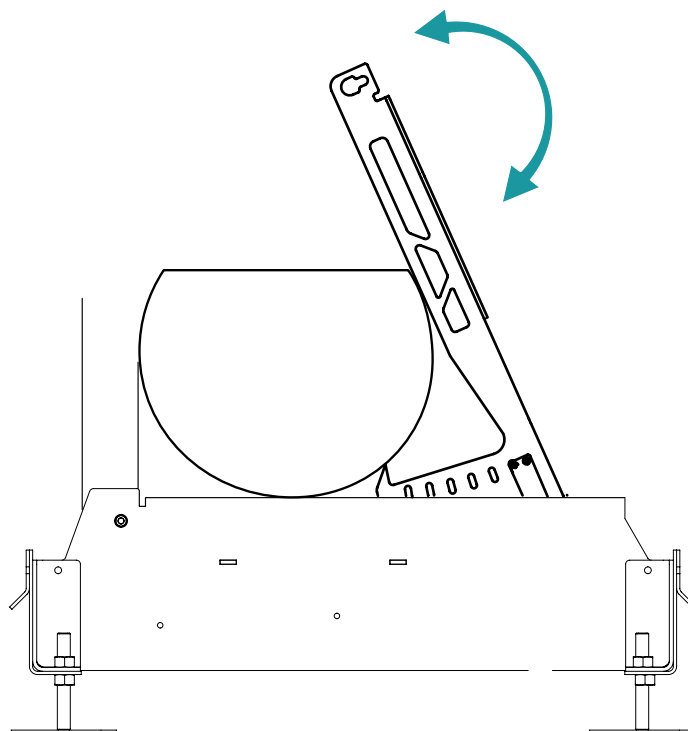
COMPENSATE FOR TAPERED LOGS

Use the toe board to compensate for tapered logs. Lift the log at its narrow end until the pith of the log is level.



ROTATE LOGS

When you are going to rotate a log before taking the next cut, you can use the toe board as a cant hook.



NOTES



LOGOSOL SWEDEN

Fiskaregatan 2 13, S-871 33 Härnösand, SWEDEN

Phone +46 611 182 85 | Fax +46 611 182 89

info@logosol.com | www.logosol.com