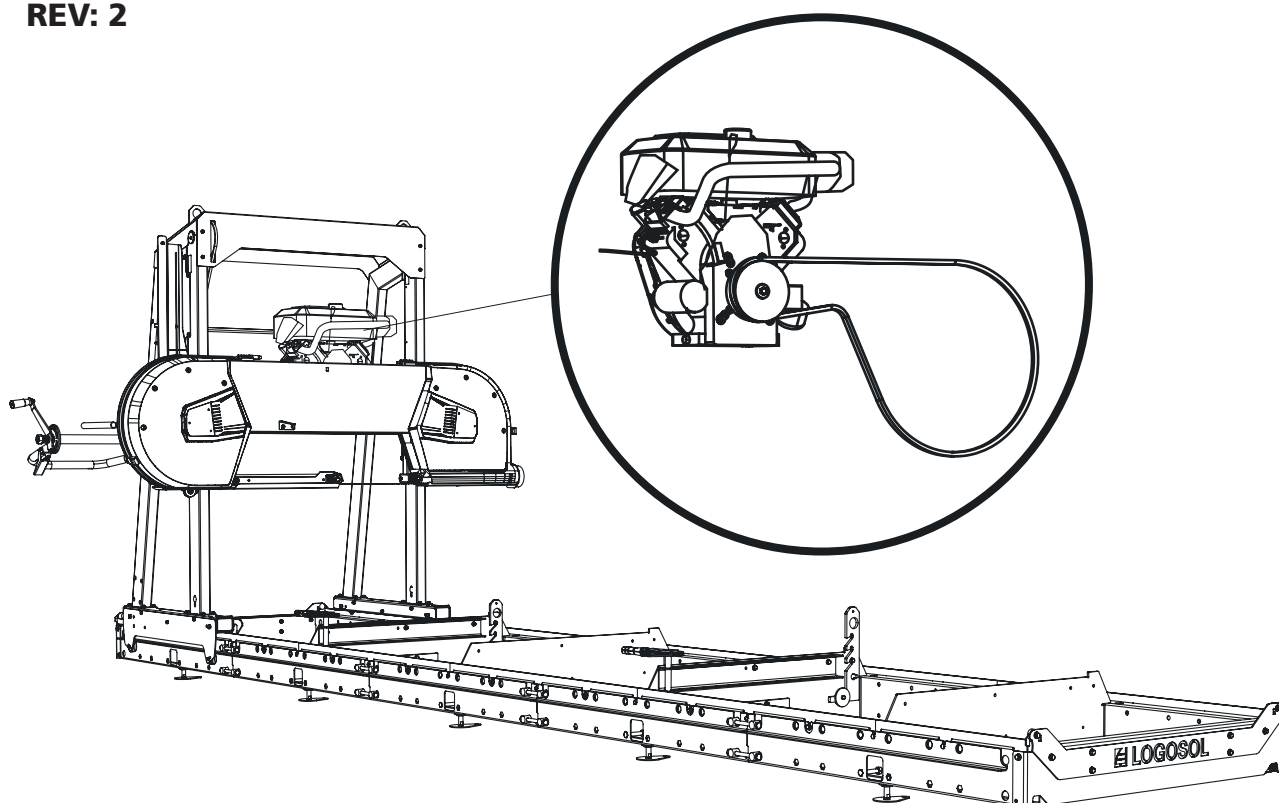


USER MANUAL

ORIGINAL USER MANUAL.

Article no: 0458-395-0821

REV: 2



27 HP PETROL ENGINE LONCIN

This manual describes installation of the petrol engine for the Logosol band sawmill.

Please see the user manual for your band sawmill for information on assembly, settings and safety instructions.



Read through the user manual carefully and make sure you understand its contents before using the saw.



FINAL SAW HEAD ASSEMBLY, 27 HP LONCIN




Read through all the set-up instructions before starting to set up, then follow the instructions step by step as you work.

1


Numbering for installation sequence




After assembly, follow the instructions under *Setup sequence* in the sawmill manual to complete setup before starting the machine.

 **WARNING!** Heavy! Risk of injury.

 **WARNING!** Risk of crushing injury.

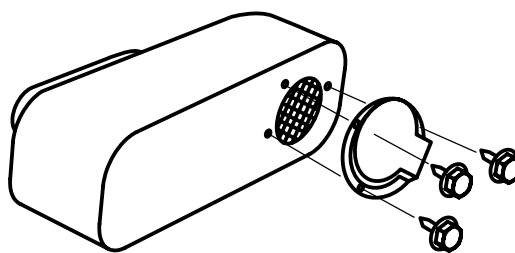
 Two people are always required to help with heavy lifting.


 Wear protective gloves and handle the engine carefully when placing it down on the engine shelf.

INSTALLATION: ENGINE AND THROTTLE CABLE

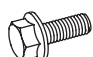
The engine has to be installed on the engine shelf and secured using the fastening screws. The drive belt and the gas cable shall be mounted on the sawmill. Follow the assembly instructions and then go through the machine's sequence of settings once assembly is complete.

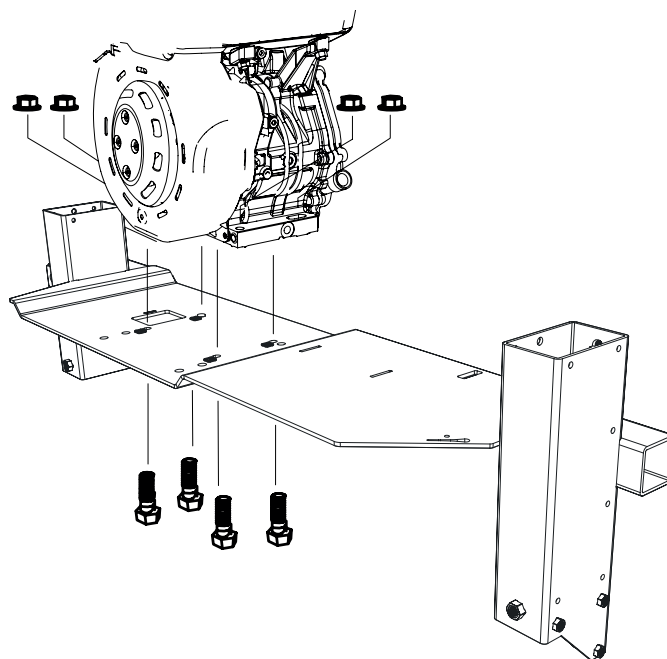
1 Fitting the exhaust reflector on the silencer.



 3 x – M4x15

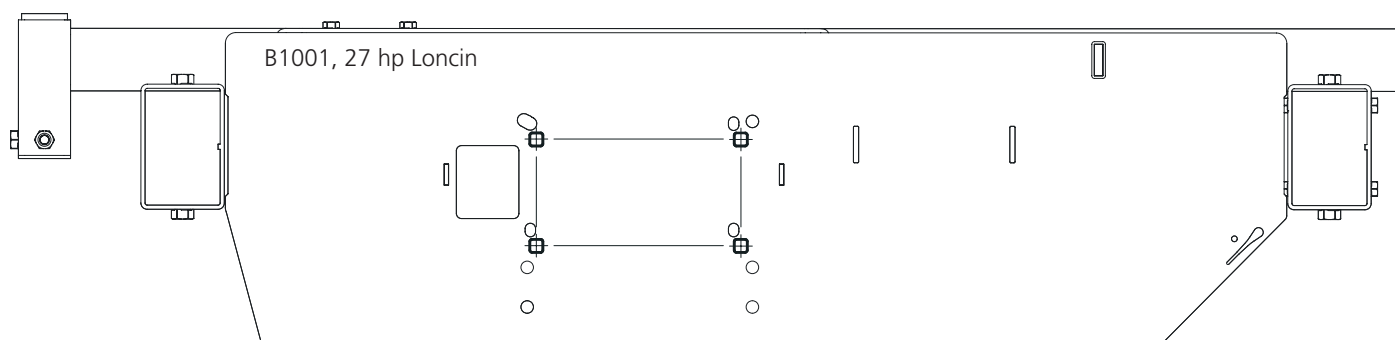
2 Install the engine on the engine shelf:
Install the engine on the saw head before placing the saw head on the rail. Two people are always required to help when the engine is lifted into place. The illustration below shows the hole pattern for installing the 27 hp Loncin engine.

 4 x – M10x50



 4 x – M10

Top view:

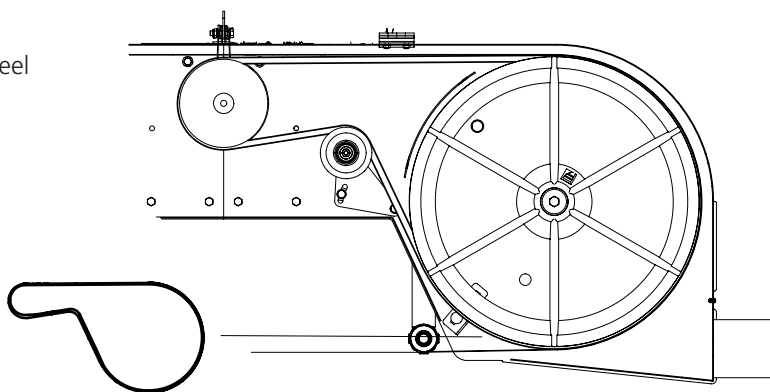


3

Thread the drive belt around the drive wheel and over the tensioner.

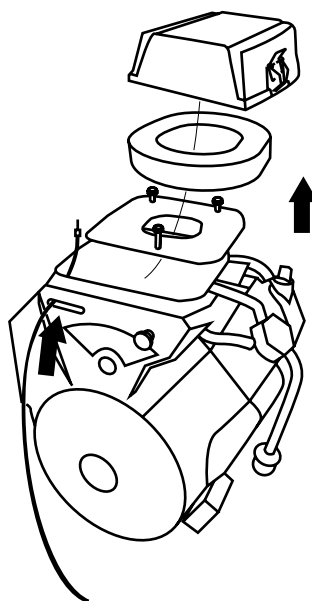


1 x - 9020-011-0091



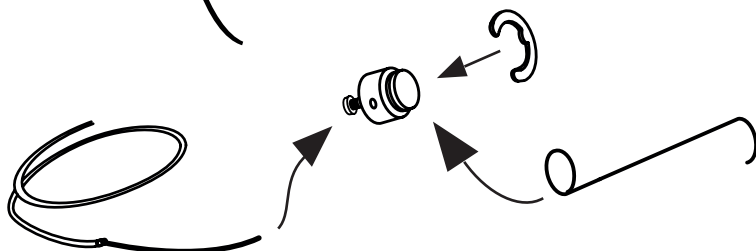
4

Remove the air filter cover, remove the air filter and unscrew the plate. Thread the gas cable through the front cover.



5

Fit the throttle link on the cable retainer, then lock the assembly into position using the lock washer.

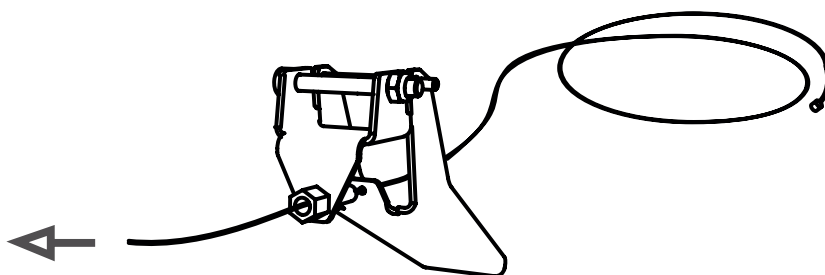
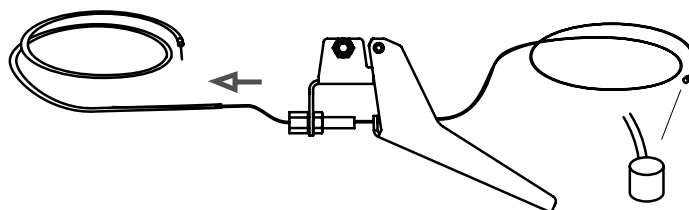


6

Install the end of the cable in the throttle handle, then thread it into the casing.







1 x - 01-00793

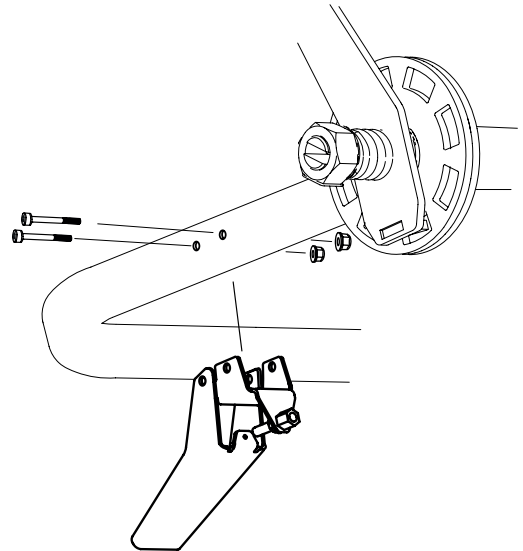


7

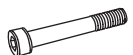
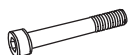


Fit the handle on the handle tube.

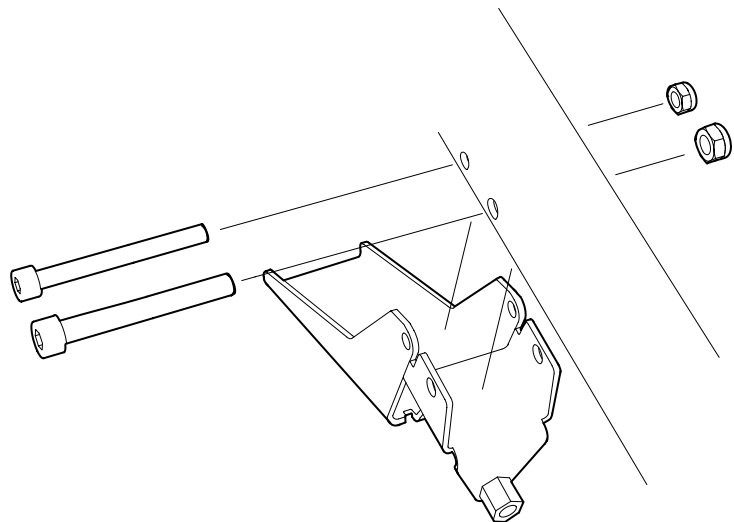
If this handle is fitted:
Cut the wire housing to 2200 mm.

-  1 x – M6x50
-  1 x – M5x50
-  1 x – M6
-  1 x – M5

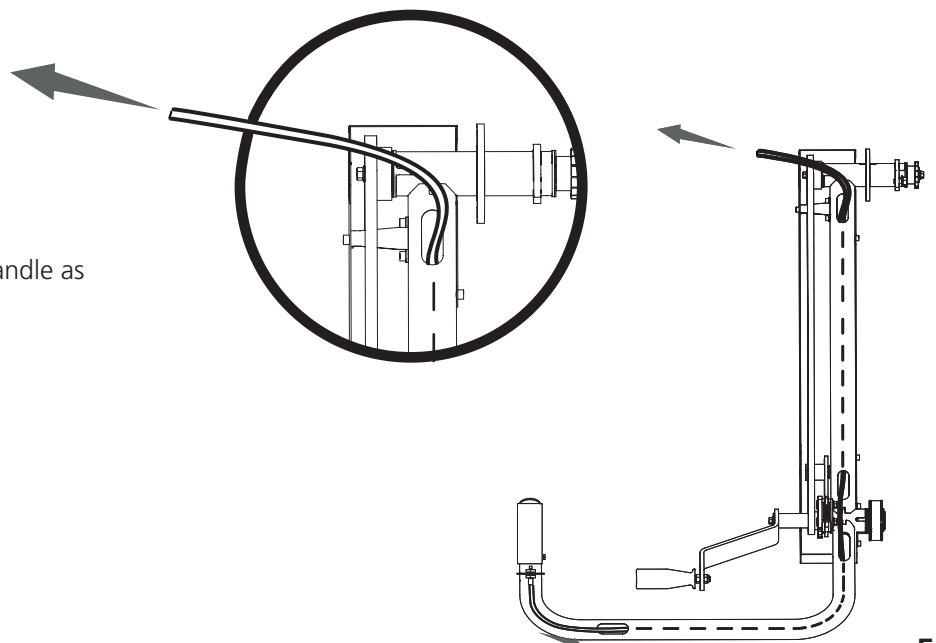


7

-  1 x – M6x50
-  1 x – M5x50
-  1 x – M6
-  1 x – M5

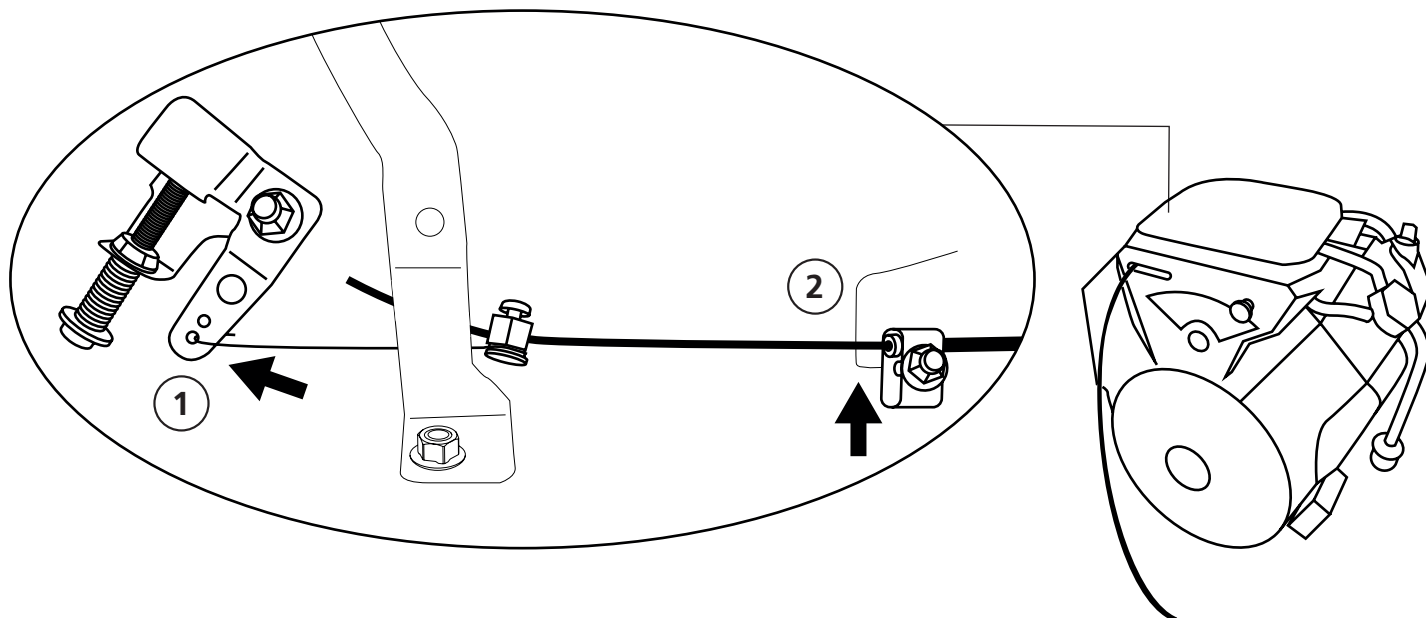


Pull the wire and wire housing into the handle as illustrated. If this handle is installed:
The wire housing = 2900 mm.



8

- Hang the throttle link in the outer hole of the throttle **(1)**.
- Clamp the wire into the front clamping bracket, closest to the front cover. NB! Attach it to the inside of the clamp bracket closest to the engine **(2)**.



WARNING! Risk of serious injury.



The hinge switch for the machine has to be fitted before starting to use the machine.



Always switch off the machine from the operator's position before working on the saw head.



WARNING! Risk of burn injuries. The engine and its silencer become very hot during operation and remain so after the engine has been shut down.



Allow the engine and the muffler to cool to cool before performing servicing or maintenance on the machine.

9

Now install the safety hinge on the side of the cover where no hinge is installed. Note that the cable output has to face the middle of the engine shelf.



2 x – M6x25



2 x – M6x30



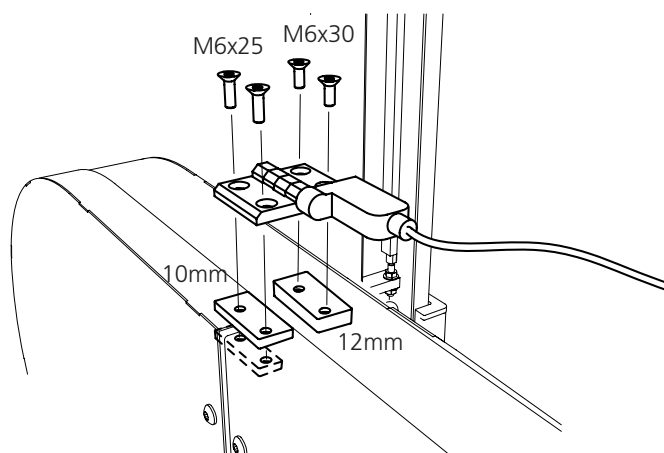
1 x – 03-01997
10 mm



1 x – 03-02080
12 mm



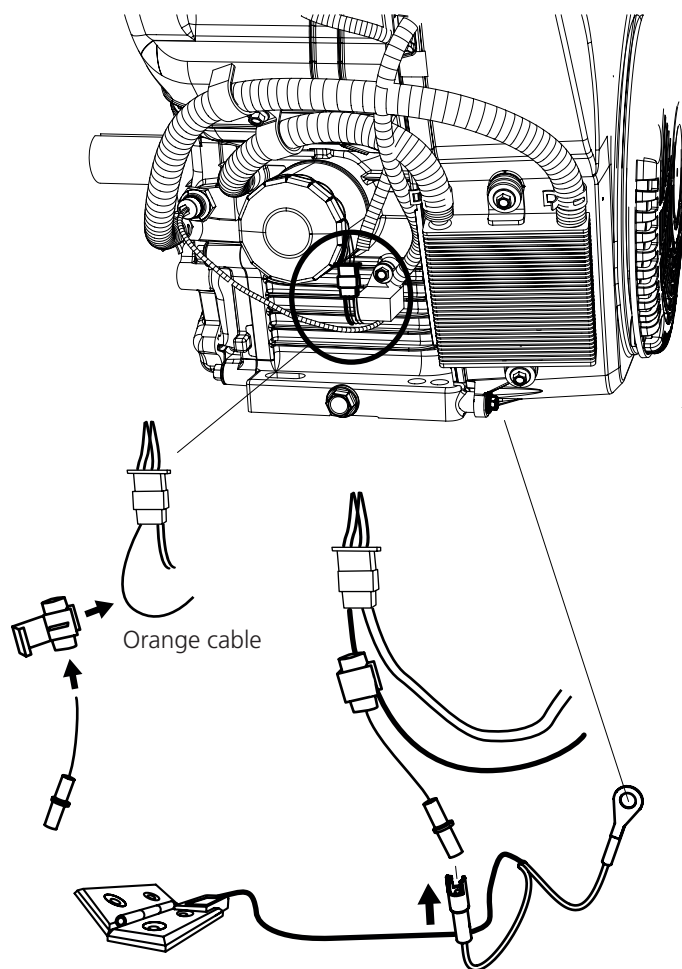
2 x – 03-02182




MOUNTING: SAFETY SWITCH & ELECTRIC STARTER

10 Now connect the safety switch to the engine as illustrated.

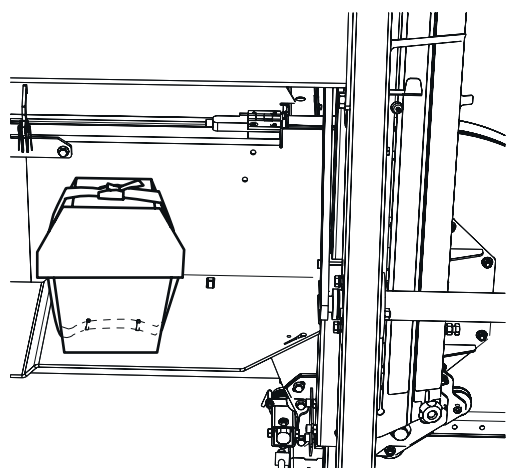
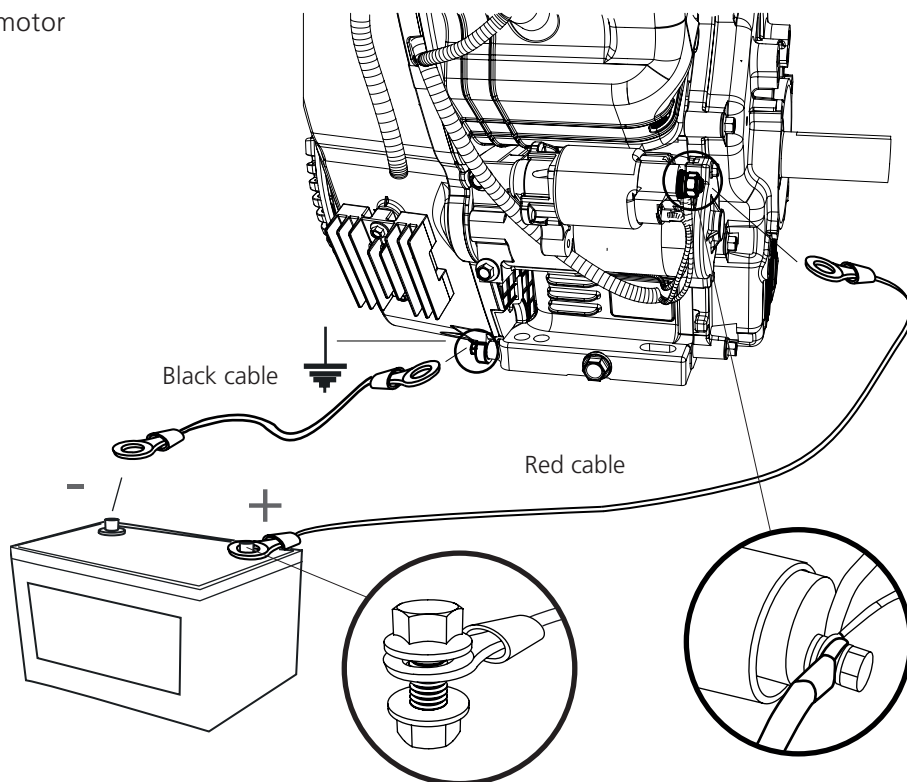
How to check the safety function: Start by opening the cover. Turn the ignition key from the operator's station to start the engine. The installation is correct if the engine does not start when the key is turned. Switch off the engine from the operator's station if the engine starts with the cover open. Then double-check the connection.



11 Now connect the battery to the motor according to the sketch.

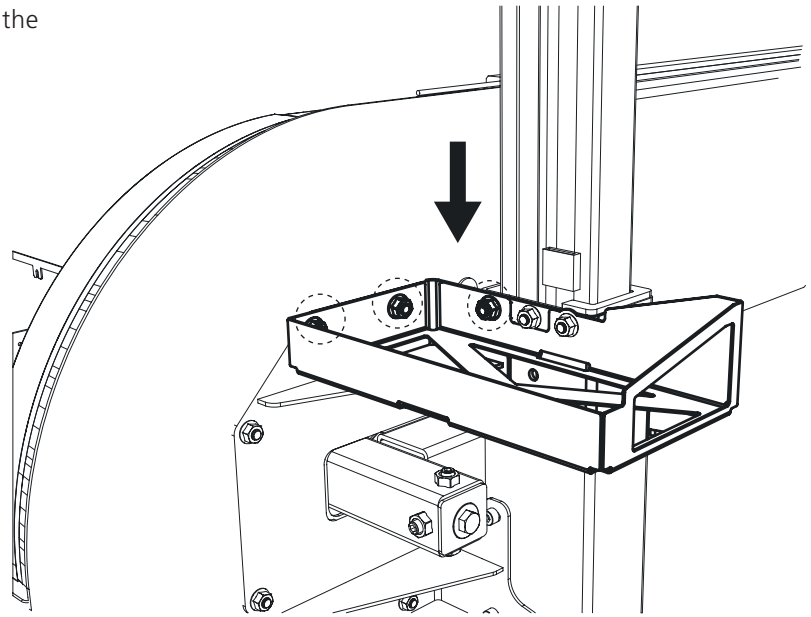
 2 x – M6x20

 2 x – M6

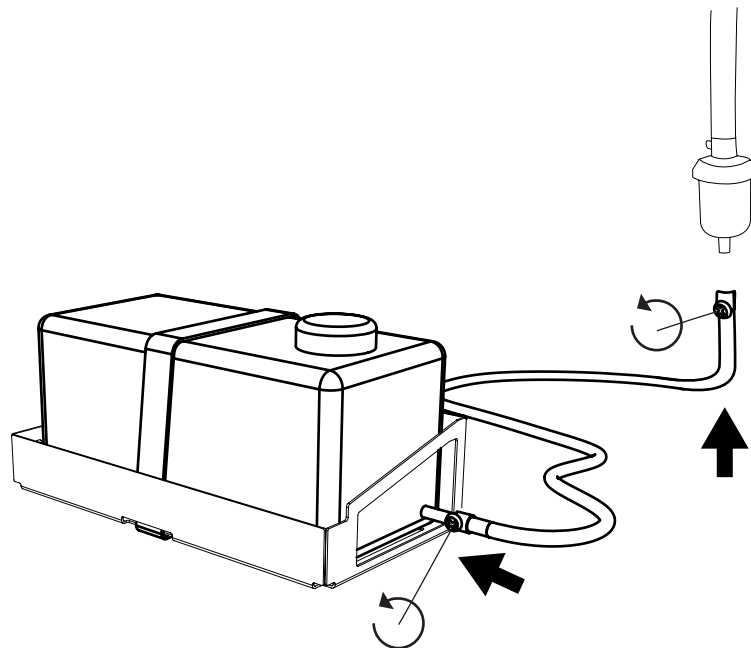


The battery is placed in the protective box and secured using the strap as illustrated.

- 12 Install the shelf to the gas tank using the sawmill's existing screws.



- 13 Place the gas tank on the shelf and fasten it with the tensioning strap. Attach the fuel hose to the tank and engine.



Before start-up, top up with recommended oil level in the motor and fill up the fuel tank with recommended fuel

WARNING! Risk of serious injury.

Before adjusting the throttle cable tension on the engine: Turn the ignition to OFF and close the fuel valve.

Always start the machine from the operator's station. Always turn off the machine before adjusting the tension of the throttle cable on the engine side.

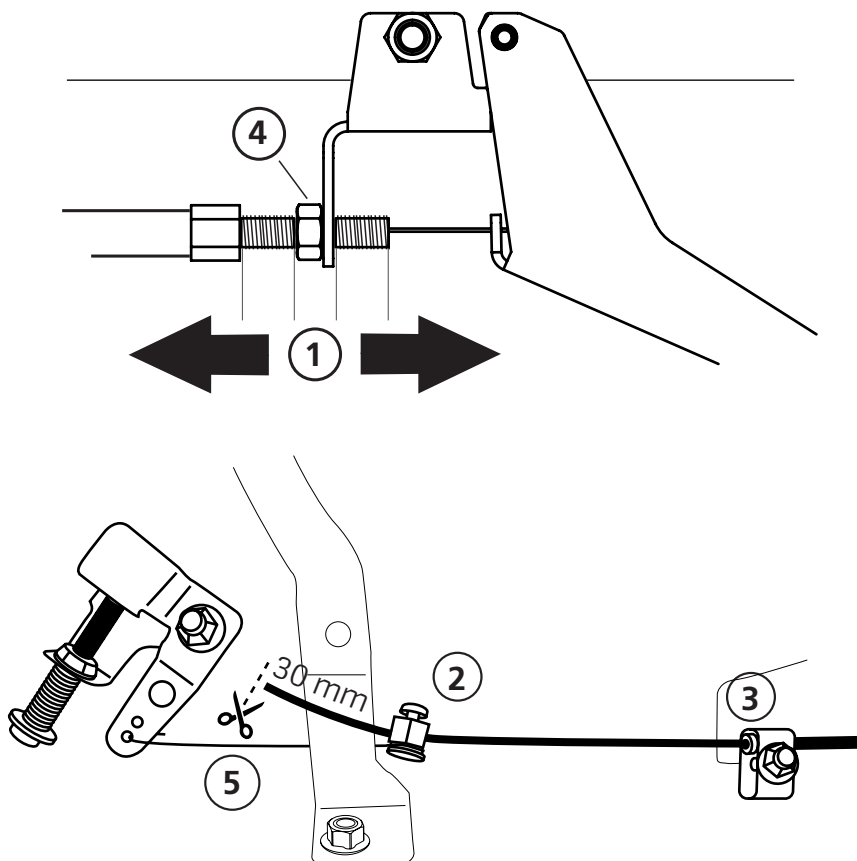
WARNING! Risk of burn injuries. The engine and its silencer become very hot during operation and remain so after the engine has been shut down.

Allow the engine and the muffler to cool to cool before performing servicing or maintenance on the machine.

14

THROTTLE ADJUSTMENT

- Start by adjusting the throttle cable at the throttle handle so that you have equal adjustment travel in both directions **(1)**.
- Attach the other end of the cable housing to the clamp on the engine **(2)**.
- Screw the cable into the nipple **(3)**. Make sure that the throttle is in the neutral/unaffected position when doing this.
- Check that you have 1 to 3 mm of play in the throttle handle, and that the cable moves freely. Adjust the cable tension at the throttle handle **(1)**, if necessary
- Start the engine and check that it is idling and that the saw blade does not move while the throttle handle is in idle position. Adjust the cable tension at the throttle handle **(1)**, if necessary
- **Secure the adjustment using the locking nuts (4)**
- Cut off the wire that is left over, save about 30 mm **(5)**.





Well done!

Now you have finished installing the engine, go back to the manual for your band sawmill and carry on with the setup sequence, starting at the point as indicated in the instructions below.

ADJUSTMENT SEQUENCE



Read through all the set-up instructions before starting to set up, then follow the instructions step by step as you work.



IMPORTANT!

It is important to adjust the saw head before starting to ensure satisfactory sawing and the correct functioning of the sawmill. Carefully follow the adjustment sequence! Certain adjustments affect other machine settings.

LOGOSOL

Fiskaregatan 2, SE-871 53 Härmösand, Sweden
+46 0611-182 85 | info@logosol.com | www.logosol.se