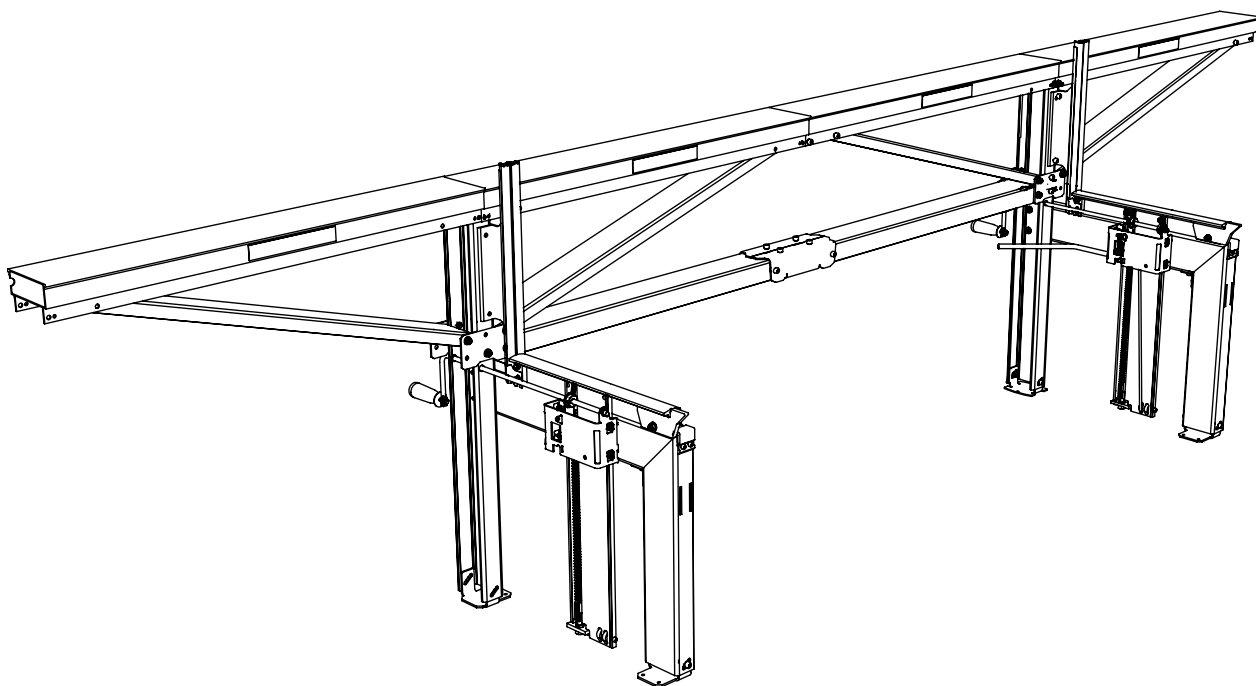


 **LOGOSOL**

USER MANUAL

Ref. no. 0458-395-1210



LOGOSOL F2 CHAIN SAWMILL

EN

THANK YOU FOR CHOOSING A LOGOSOL MACHINE!

We are very pleased that you have demonstrated your confidence in us by purchasing this sawmill and we will do our utmost to meet your expectations.

Logosol has been manufacturing sawmills since 1989, and in that time we have supplied approximately 30 000 machines to satisfied customers the world over.

We are just as concerned with your safety as we are that you achieve the best possible results with your sawmill. We therefore recommend that you take the time to carefully read this user manual from cover to cover in peace and quiet before you begin using the saw. Remember that the machine itself is just part of the value of the product. Much of the value is also to be found in the expertise we pass on to you in this user manual. It would be a pity if that were not utilised.

We hope you get a lot of satisfaction from the use of your new machine.

/LOGOSOL



LOGOSOL continuously develops its products.
For this reason, we must reserve the right to modify
the configuration and design of our products.
Document: LOGOSOL F2, user manual
Manual, ref. no.: 0458-395-1210
Text: Mattias Byström, Robert Berglund, Erik Svensson
Illustrations: Mattias Byström, Martin Söderberg, Robert Berglund
Last revised:: November 2017
© 2018 LOGOSOL, Härnösand Sweden

#2

TABLE OF CONTENTS

Safety instructions	4
Description of machine	6
Technical data	7
Sawmill components	8
Components: boxes in shipment	9
Components: log lifter	10
Components: guide rail	12
Components: saw carriage	13
Assembly: log lifters	17
Assembly: guide rail	31
Assembly: saw carriage	35
Assembly: chainsaw	38
Siting	39
Adjustment: log lifters	40
Adjustment: guide rail	41
Adjustment: saw carriage	42
Cutting equipment	43
Sawing: step by step	44
Sawing: tips and advice	45
Troubleshooting	46
Precision	48
Material drying	49
Accessories	50
CE declaration of conformity	51

SAFETY INSTRUCTIONS

- Read carefully through the entire user manual before starting to operate the LOGOSOL F2. Failure to observe these safety instructions may result in fatal injuries.
- Make sure that everyone who uses the sawmill is well informed of the dangers and has read the user manual. The user manual shall always be available to the persons working with the sawmill. This also applies where the sawmill is sold or loaned out.
- Read the manual and safety instructions for the saw unit used on the sawmill.
- Minors under 18 years of age are not allowed to operate the Logosol sawmill.
- Make sure that children and animals are not in the vicinity when the sawmill is being operated.
- Respect the safety distances to avoid injury from high noise levels and from chain thrown-off in the direction of the guide bar if the chain breaks.
- Anyone working with the sawmill must be fit for work, healthy and in good physical condition. Make sure you take regular breaks when operating the machine. Never operate the machine while under the influence of alcohol, narcotics or other drugs or medicines that can cause drowsiness or inattention.
- The LOGOSOL F2 is only to be operated where visibility is good. It is not to be operated in the dark or where visibility is poor.
- Never work alone and make sure there are other persons within earshot who you can summon if you need help.
- Only add extra equipment to the sawmill that is made by LOGOSOL or that is specifically approved by LOGOSOL for the purpose. Other equipment can cause accidents and should not be used. LOGOSOL will not accept liability for personal injury or material damage that occurs while using non-approved attachments on the sawmill.
- If the saw unit used weighs more than 15 kg, support legs must be fitted under the guide rail ends. Risk of overturning.
- Always wear protective clothing and use personal protective equipment: Close-fitting work overalls are appropriate. Never operate the sawmill wearing loose-fitting clothes, overall coats or similar.
- Use safety shoes with high-grip soles and steel toecaps. Neckerchiefs, ties, jewellery or other items that can get caught in the equipment are not to be worn.
- Never stretch over or under the Logosol sawmill's guide rail when the sawmill is in operation. Rotating cutting equipment. Risk of cut injuries!
- Wear strong protective gloves. Risk of cut injuries when handling the guide bar and the saw chain. Cutting equipment can also be hot immediately after sawing.

Key to symbols



For your own safety, read through the entire user manual carefully and do not start the machine before you have understood everything.



Use approved ear protectors and protective eyewear. Hearing can be damaged even after short periods of exposure.



Sharp rotating tools. Make sure that your fingers never come near the cutting tools.



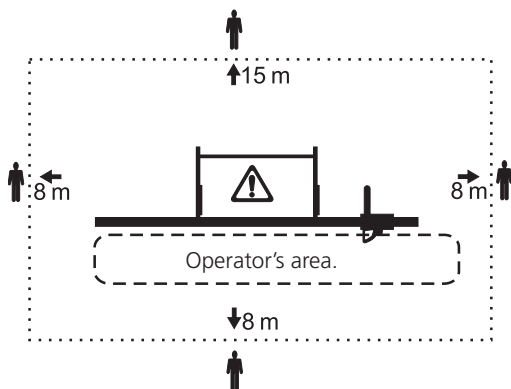
This symbol means 'WARNING'. Pay particular attention where this symbol appears in the manual text.



This symbol is followed by instructions that must be observed. Pay particular attention where this symbol appears in the manual text.

Safety distances

! Respect the safety distances. The safety distance is 8 m for the operator and 15 m for persons other than the operator. The illustration below shows the sawmill from above. The operator is to remain within the area marked with a dashed line (- - -) when the saw is in operation. The operator is not to stretch over the line when operating the sawmill.



When using a petrol-driven chainsaw

! Fire risk. Turn off the engine before refuelling. Petrol is extremely flammable. Burn injuries can be life threatening. If you spill fuel, immediately clean the components the fuel has come in contact with. Clothes on which fuel has been spilt are to be changed immediately.

- Tighten the tank cap as tightly as possible, to minimise the risk that the cap vibrates loose during sawing.
- Never saw with the chainsaw throttle locked. Always operate the throttle manually when sawing.

! Increased throw-out risk! Never use a chain sharpened for rip sawing when cross cutting.

Before each work period

- Check the lifting line's condition in particular. Change immediately if any sign of wear is detected. Check that bolted joints and locks in the log bed lift and lock system are fully tightened and that all the moving parts of the sawmill move freely and smoothly.
- Check that the sawmill is completely level and that it is securely fixed to the underlying surface.

- Check that the cutting equipment is correctly assembled. Risk of chain breaks!
- Check that saw unit is pushed fully into position on the guide rail. Throw-out risk on start up!

During operation

! The sawmill is not to be in any other position than level when in operation. Risk of overturning! The Logosol sawmill should be fastened directly to the underlying surface or to a bedding of planks (see manual) which increases the area of the load bearing surface.

- Hold the crank firmly whenever raising or lowering a log. If released, the crank may spin back and hit your hand hard.

! Do not place your hand on the inside of the long leg when raising or lowering the log. There is a risk that your hand can be trapped if the lifting line snaps or the crank spins.

- Do not saw short logs that extend less than 0.2 m beyond each log bed. A shorter log can fall off when the log beds are raised!
- The maximum permitted load for the sawmill is 1000 kg. Extensions increase the maximum load by 250 kg for each additional log lifter.

! Always stand to the right of the saw unit when it is in operation. Chains that break can be thrown out through the sawdust outlet.

- Keep the worksite free of tools, pieces of wood, sawdust and other items you can trip on.

! Turn the chainsaw off after each cut. Never leave the LOGOSOL F2 unattended such that unauthorized persons can start it.

! If any kind of malfunction occurs, stop sawing immediately and turn off the chainsaw until the problem has been resolved. Always keep this in mind. Most accidents with dangerous machines, both the LOGOSOL F2 and other machines, happen when something goes wrong and the operator attempts to fix it while the machine is still running. A stop seldom shows up on the finished product.

DESCRIPTION OF MACHINE

- The aluminium components are anodized and completely rustproof. The outer surface is as wear-resistant as tempered steel, has a low friction coefficient and is easy to keep free of resin and sawdust.
- Adjustable feet make it easy to compensate for uneven surfaces.
- Clear scales show the height of the log bed. Extra measuring rods are available as accessories to show the set sawing height.
- The crank axle runs through maintenance-free bronze bearings that do not wear out.
- The slide rails use low-friction plastic that has a long lifetime thanks to the fine surface of the aluminium components.
- The settings for sawing parallel to the grain of conical logs are quick and simple to set. (The log beds should be set at different heights for more than half of the cuts to get an acceptable yield.)
- There are many accessories available for the LOGOSOL F2.

Maintenance

The LOGOSOL F2 should be kept clean, and all plastic parts should be lubricated with LOGOSOL's lubricant (7500-001-5050) or silicone lubricant (7500-001-5067). Regularly check the condition of the lifting lines.

The tempered ratchet bar is only lightly protected against rust and should be kept coated with a thin layer of Superflo (9999-000-5115) to prevent rust.

Service

The sawmill must be inspected regularly and maintained as needed.

Only carry out the maintenance and repairs specified in the manual. Other repairs must be carried out by LOGOSOL or by authorized LOGOSOL dealers.

Do not make any alterations to the construction of the sawmill as this can increase the risk of accidents. After service, the sawmill should be restored to its

original condition. LOGOSOL accepts no liability for damage that occurs while working on an improperly modified machine.

Assembly

The LOGOSOL F2 is designed for simple assembly and adjustment. Set up on an underlying surface that is level and does not scratch the sawmill during assembly.



Save time by reading through the entire assembly instruction before beginning assemble the sawmill, and then follow the instructions step by step during assembly.



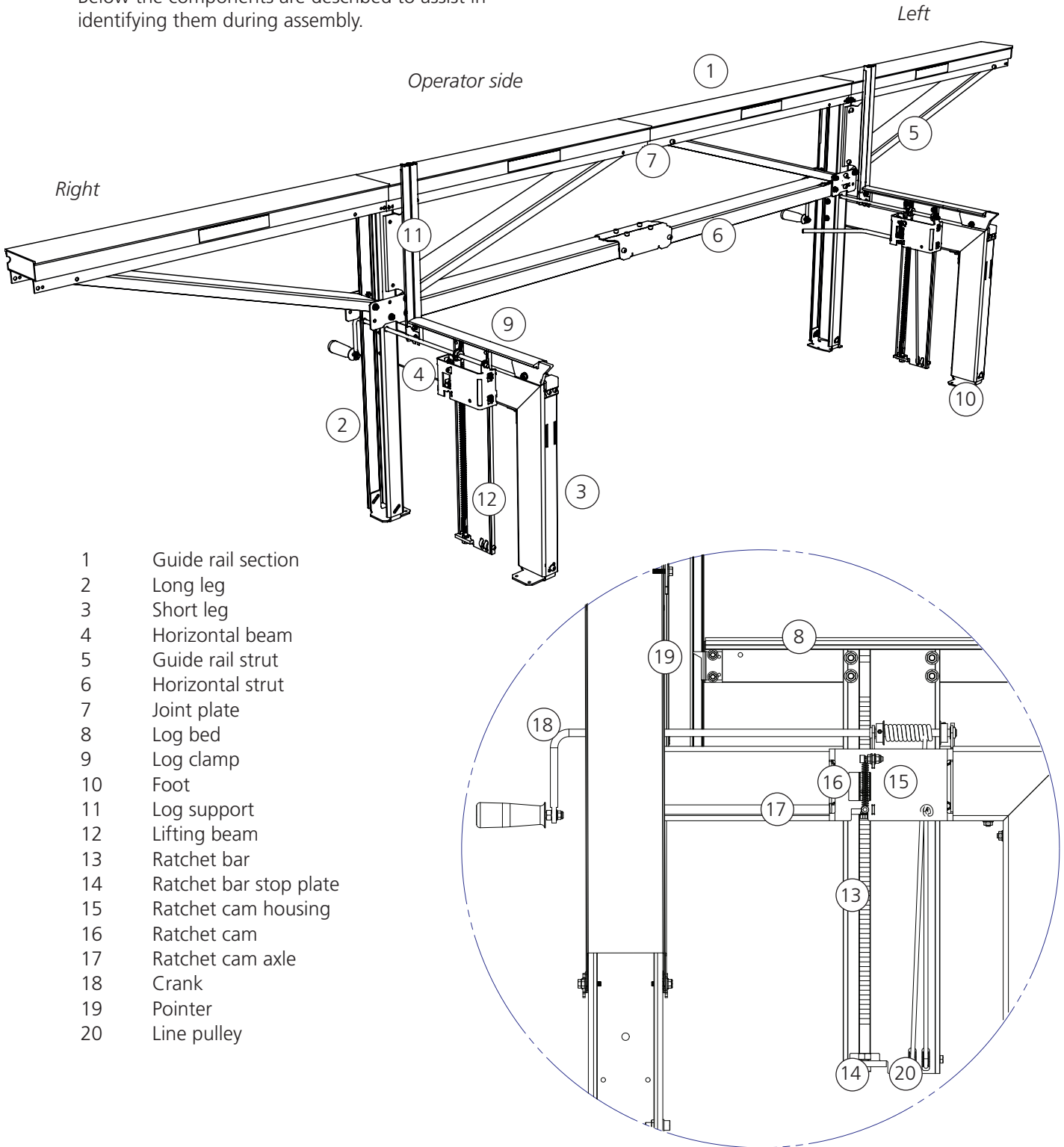
When this symbol appears, tighten the bolts so that they still can move. When there is no symbol, tighten the bolts well.

TECHNICAL DATA

Length:	4.0 m
Width:	0.7 m
Height:	1.0 m
Log loading height:	0.6 m
Weight:	55 kg
Weight with carriage for chainsaw:	58 kg
Max. recommended log diameter:	0.6 m
Min. stocklängd i standardutförande:	2.4 m
Max. recommended log length, standard version:	3.7 m
Max. log weight, standard version:	1000 kg

SAWMILL COMPONENTS

Below the components are described to assist in identifying them during assembly.

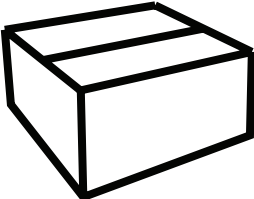


- 1 Guide rail section
- 2 Long leg
- 3 Short leg
- 4 Horizontal beam
- 5 Guide rail strut
- 6 Horizontal strut
- 7 Joint plate
- 8 Log bed
- 9 Log clamp
- 10 Foot
- 11 Log support
- 12 Lifting beam
- 13 Ratchet bar
- 14 Ratchet bar stop plate
- 15 Ratchet cam housing
- 16 Ratchet cam
- 17 Ratchet cam axle
- 18 Crank
- 19 Pointer
- 20 Line pulley

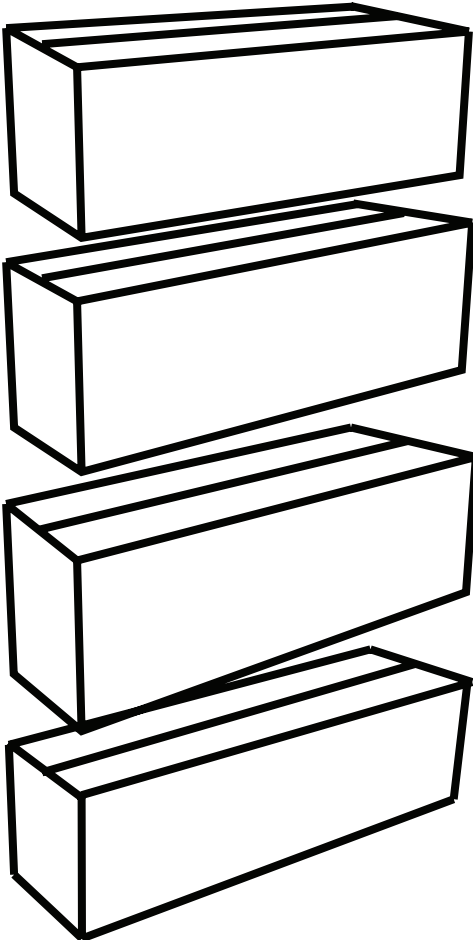
COMPONENTS: BOXES IN SHIPMENT

Your LOGOSOL F2 shipment consists of 7 boxes: one saw carriage box, two log lifter boxes, and four guide rail boxes. Check that all of these boxes are included in the shipment when receiving it.

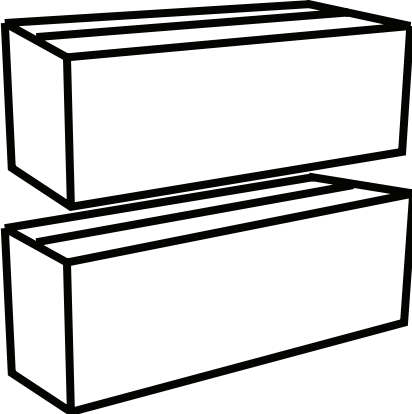
**One saw carriage box
4525-001-0010**



**Four guide rail boxes
4525-010-2000**

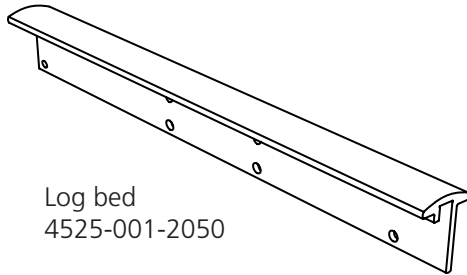


**Two log lifter boxes
4525-100-2000**

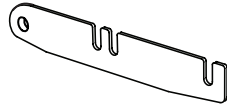


COMPONENTS: LOG LIFTER BOX

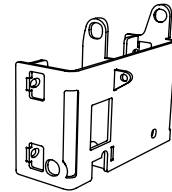
Contents in the log lifter box.



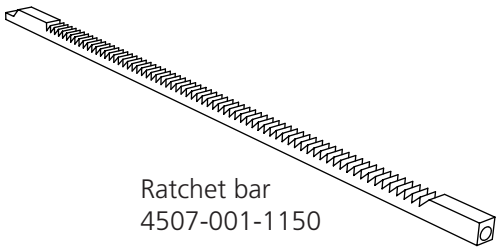
Log bed
4525-001-2050



Guide rail joint plate
4525-001-2065



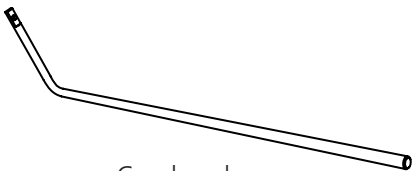
Ratchet cam housing
4525-001-1085



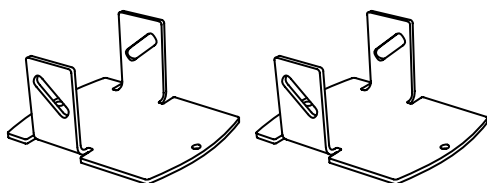
Ratchet bar
4507-001-1150



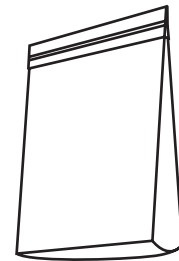
Ratchet cam axle
4525-001-2110



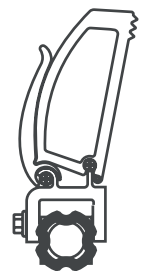
Crank rod
4507-001-1110



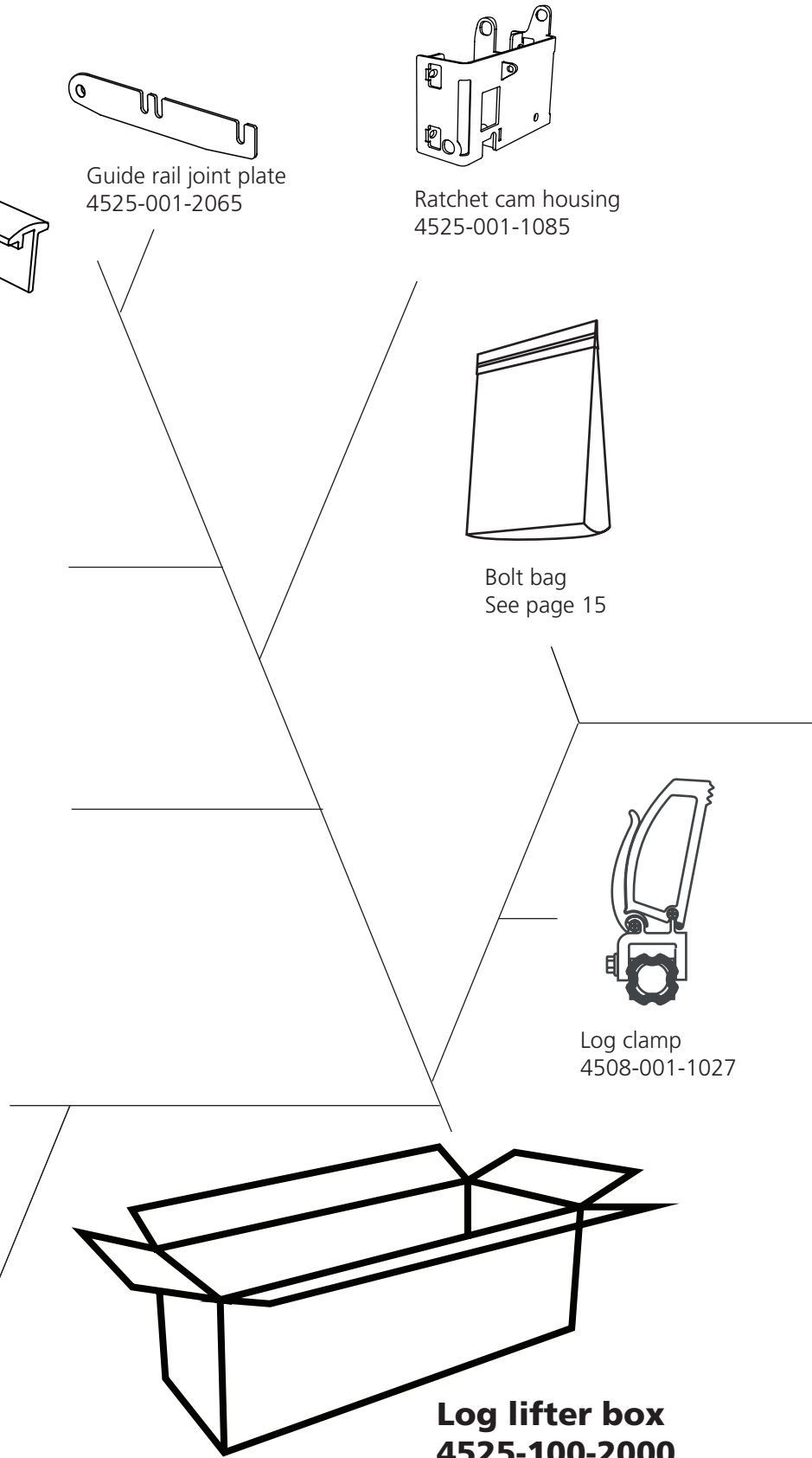
Foot
4520-001-1040



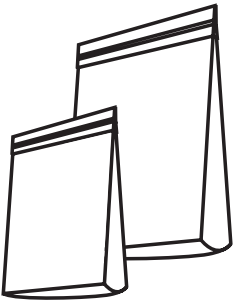
Bolt bag
See page 15



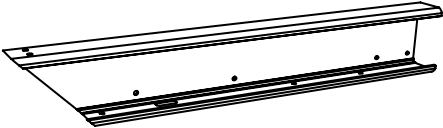
Log clamp
4508-001-1027



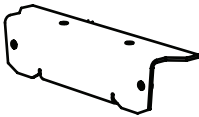
**Log lifter box
4525-100-2000**



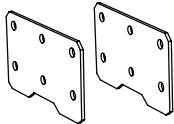
Bags of smaller components
See page 14



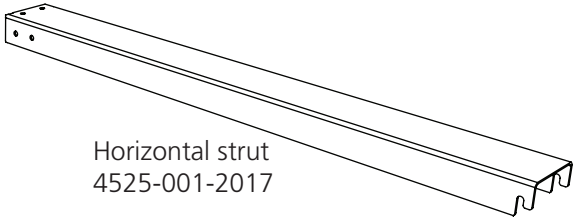
Horizontal beam
4525-001-2200



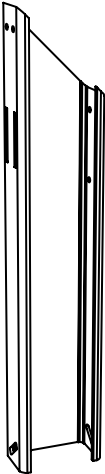
Joint plate / carrying handle
4525-001-2060



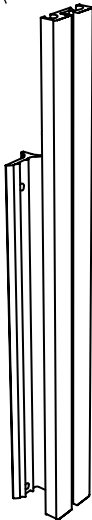
Strut plate
4525-001-2055



Horizontal strut
4525-001-2017



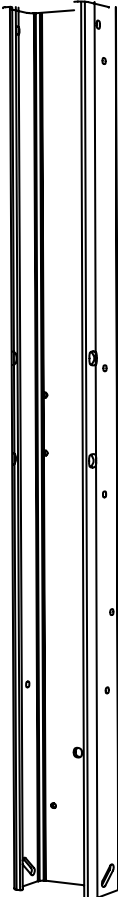
Short leg
4525-001-2035



Log support
4525-001-2075



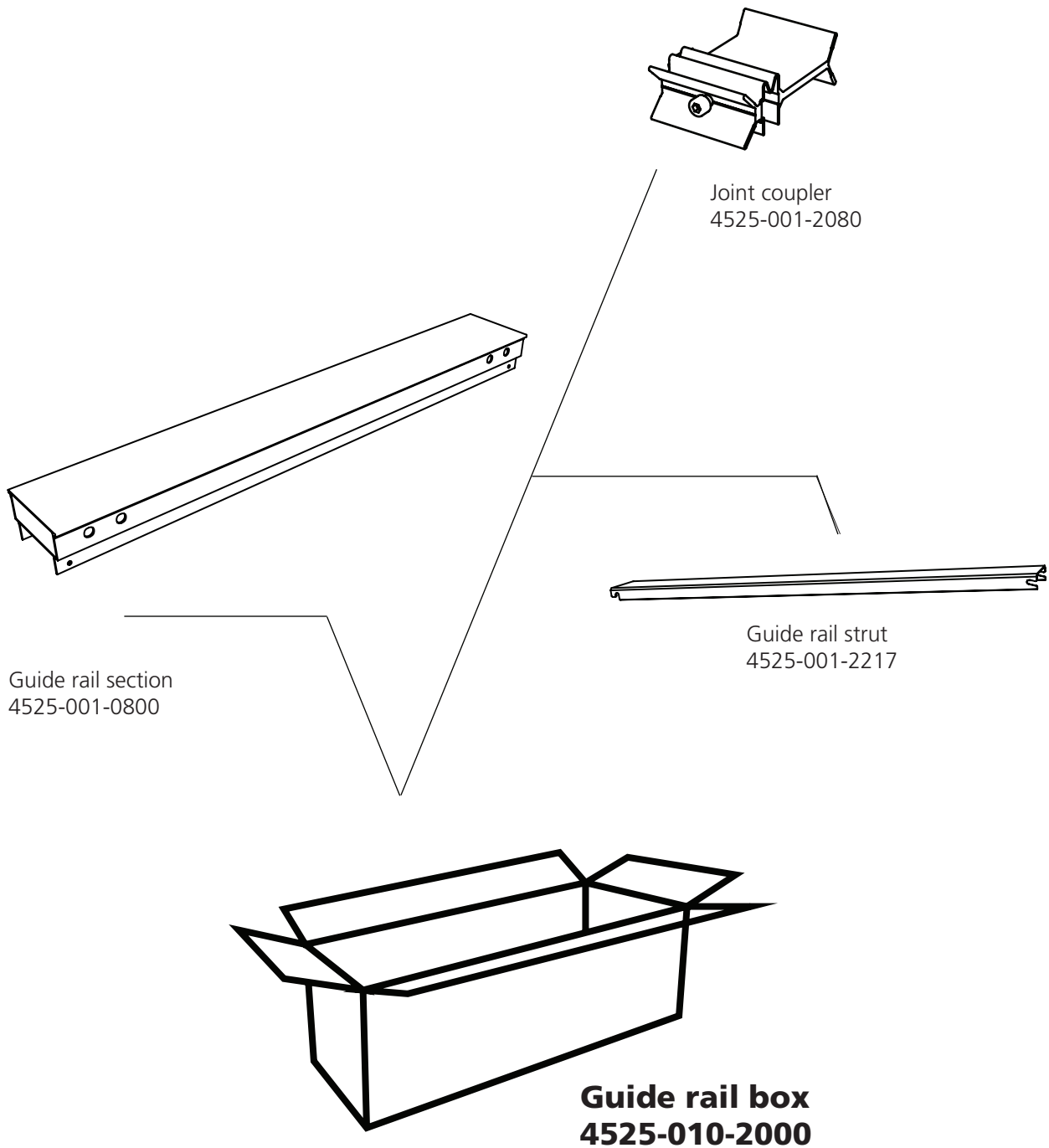
Lifting beam
4520-001-1065



Long leg
4525-001-2030

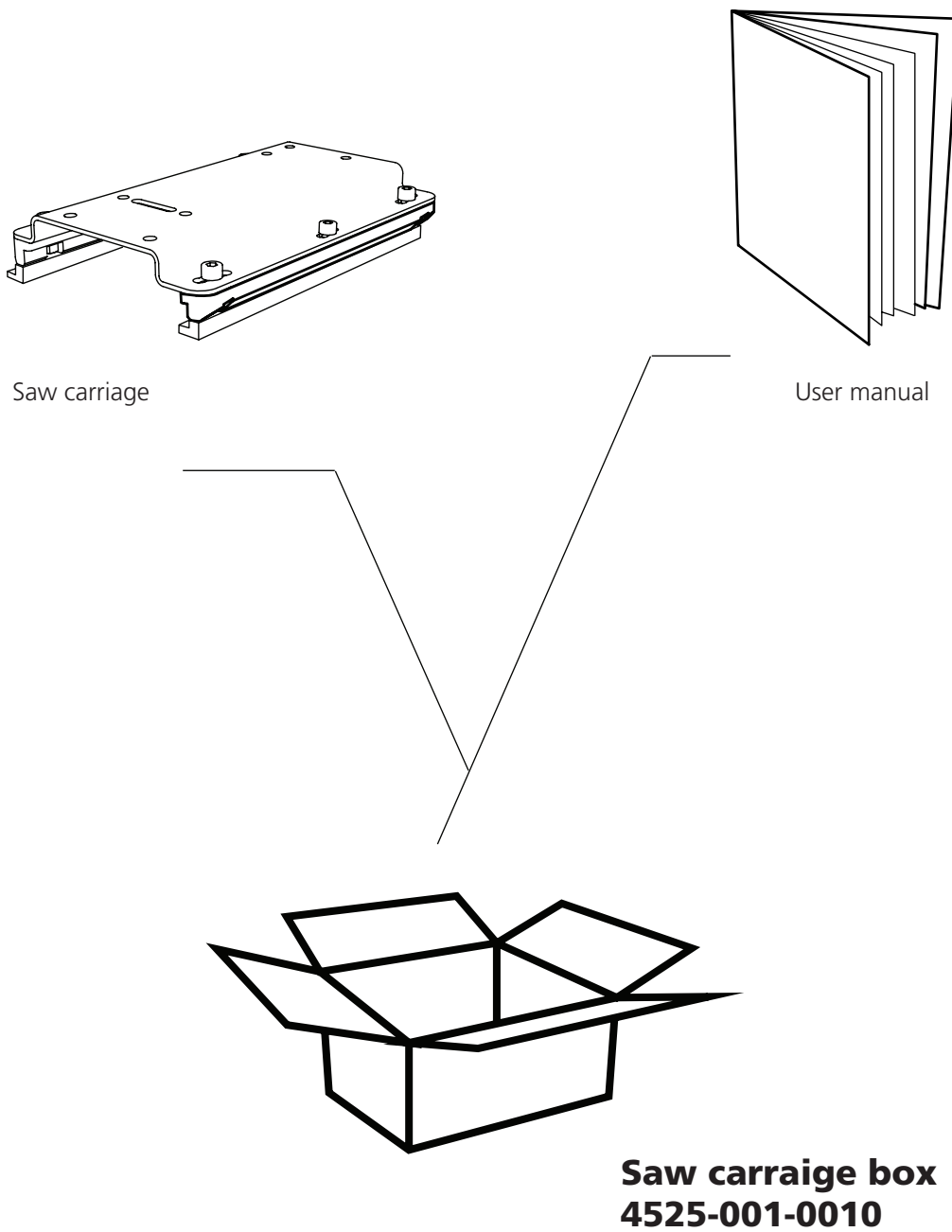
COMPONENTS: GUIDE RAIL BOX

Contents in the guide rail box.



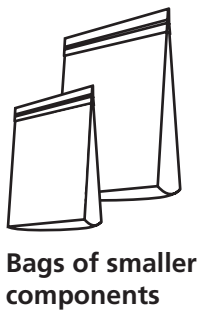
COMPONENTS: SAW CARRIAGE BOX







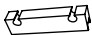
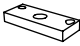








Contents in the saw carriage box.



COMPONENTS: BAG OF SMALLER COMPONENTS

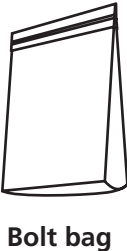
Contents in the bags of smaller components.



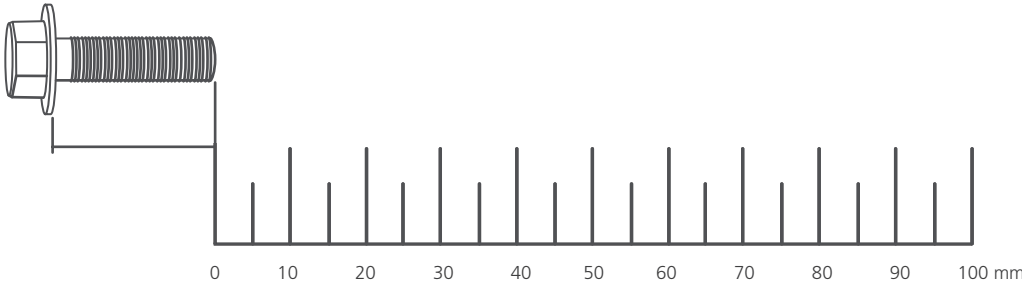
	— 1 pc ————	Ratchet spring
	— 1 pc ————	Line pulley holder
	— 1 pc ————	Inner knee connector
	— 1 pc ————	Outer knee connector
	— 2 pcs ————	Line pulley
	— 5 pcs ————	Spacer sleeve
	— 2 pcs ————	Plastic glide, lifting beam
	— 1 pc ————	Ratchet bar stop plate
	— 2 pcs ————	Locking ring
	— 1 pc ————	Pointer
	— 1 pc ————	Guide block, log bed
	— 1 pc ————	Ratchet cam
	— 1 pc ————	Crank handle
	— 1 pc ————	Lifting line
	— 1 pc ————	Guide rail end plug
	— 1 pc ————	Sandpaper

COMPONENTS: BOLT BAG

Contents in bolt bag.

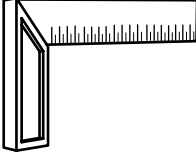



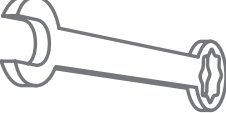


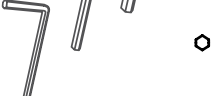


	— 5 pcs	— Allen bolt M6x20
	— 9 pcs	— Allen bolt M6x30
	— 1 pc	— Allen bolt M6x60
	— 38 pcs	— Allen bolt M8x20
	— 5 pcs	— Allen bolt M8x30
	— 1 pc	— Allen bolt M8x80
	— 1 pc	— Hex bolt M10x40
	— 43 pcs	— Flange lock nut M8
	— 11 pcs	— Flange lock nut M6
	— 1 pc	— Lock nut M8
	— 1 pc	— Lock nut M6
	— 1 pc	— Hex nut M8
	— 1 pc	— Hex nut M6
	— 1 pc	— Hex nut M10, low
	— 4 pcs	— Set screw



TOOLS REQUIRED

These tools are not included in the shipment of the sawmill.

	1 pc	Set square
	2 pcs	Fixed spanner 10 mm
	1 pc	Fixed spanner 13 mm
	1 pc	Fixed spanner 16 mm
	1 pc	Fixed spanner 19 mm
	1 pc	Allen key 6 mm
	1 pc	Allen key 5 mm
	1 pc	Allen key 3 mm



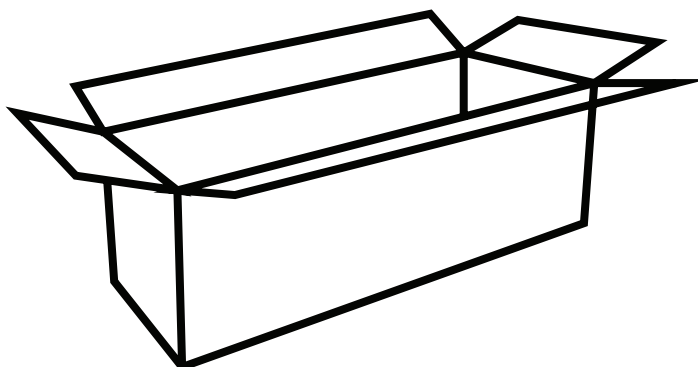
Here we go!

We recommend that you start with assembling the log lifters. These are identical, and all components needed are found in the log lifter boxes.

We recommend that you place all fastening elements on a tray or the like to facilitate finding the bolts, nuts, etc.



Open one of the log lifter boxes and start assembling.

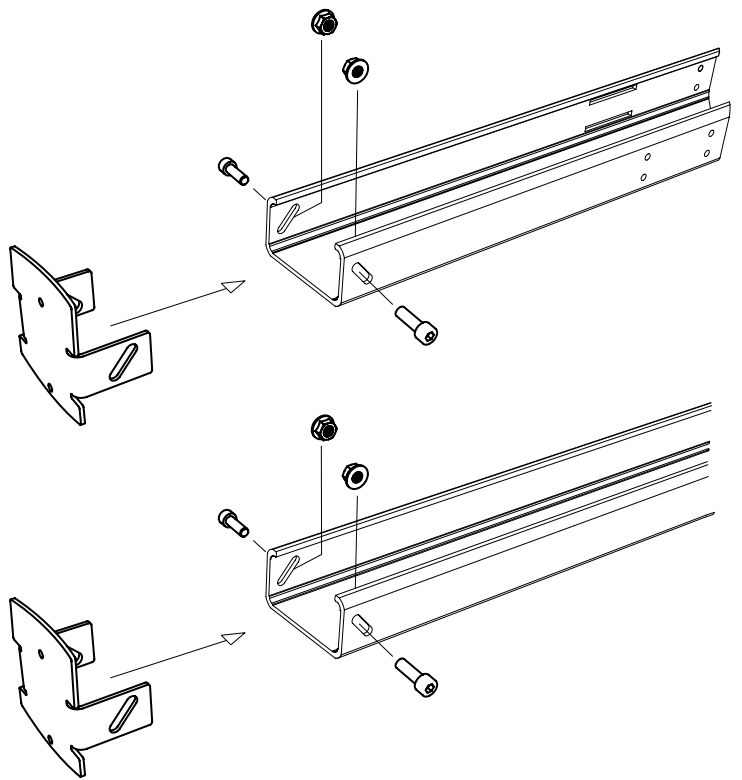
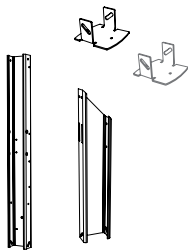
**Log lifter
4525-100-1000**









ASSEMBLY: LOG LIFTER

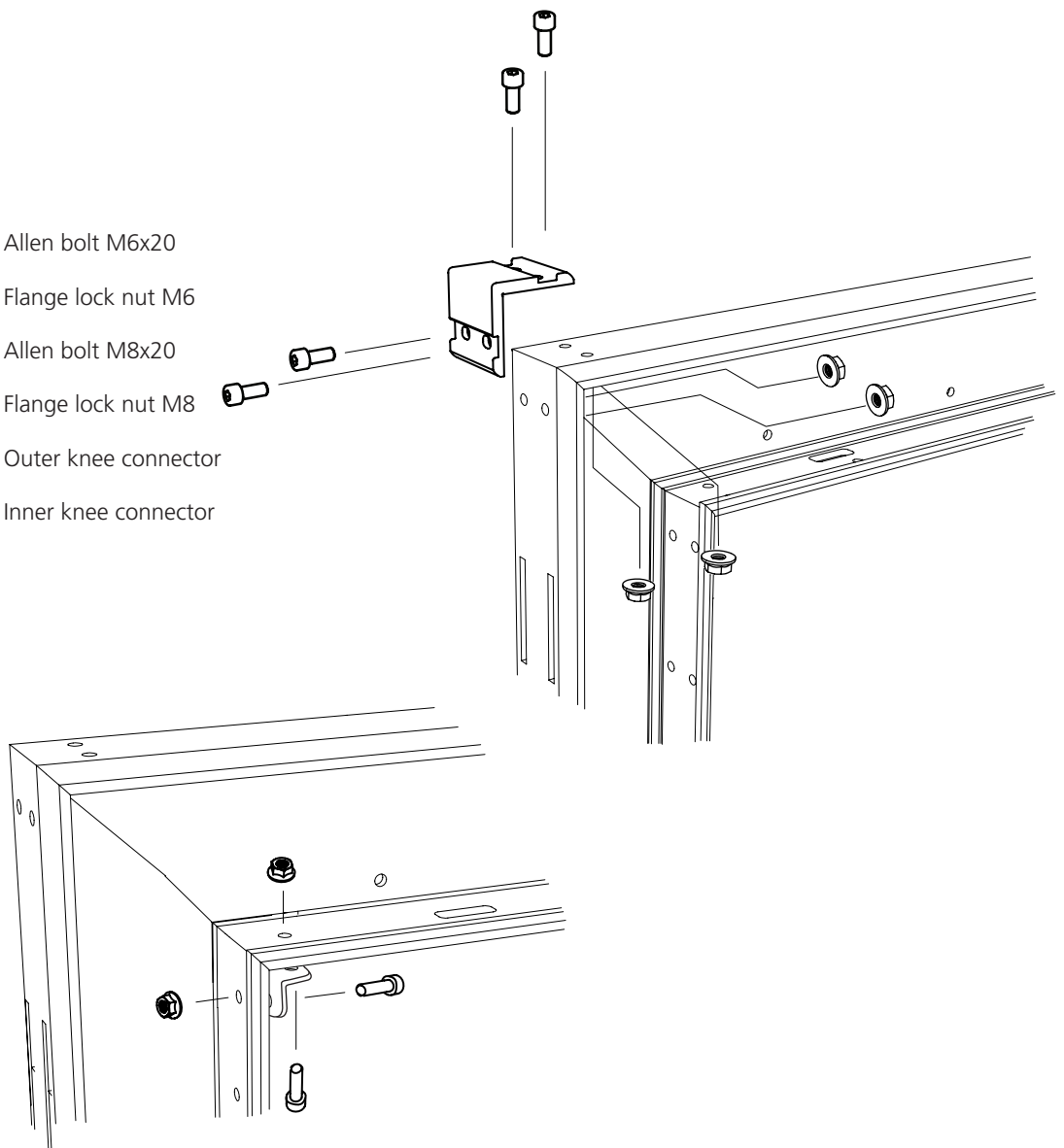
1

-  — 4 pcs — Allen bolt M8x20
-  — 4 pcs — Flange lock nut M8



2

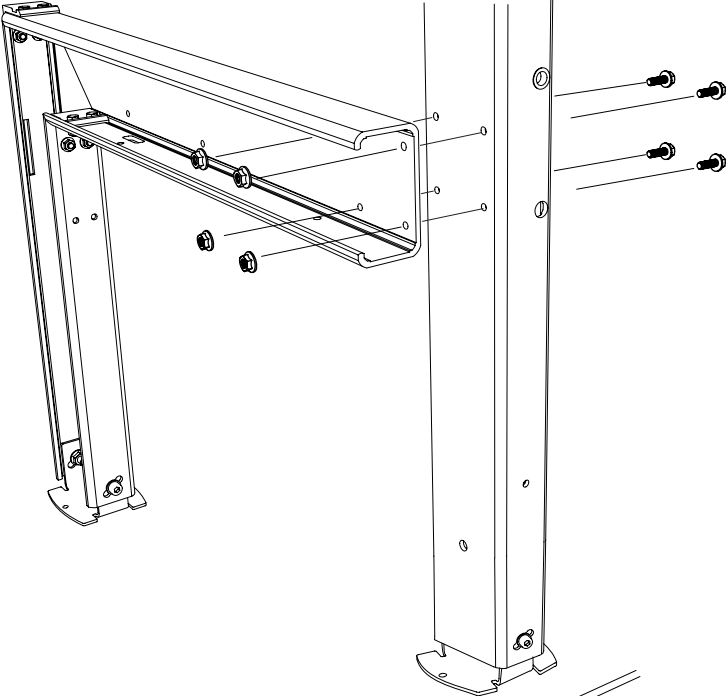
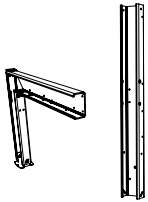
-  — 4 pcs — Allen bolt M6x20
-  — 4 pcs — Flange lock nut M6
-  — 2 pcs — Allen bolt M8x20
-  — 2 pcs — Flange lock nut M8
-  — 1pc — Outer knee connector
-  — 1pc — Inner knee connector



ASSEMBLY: LOG LIFTER

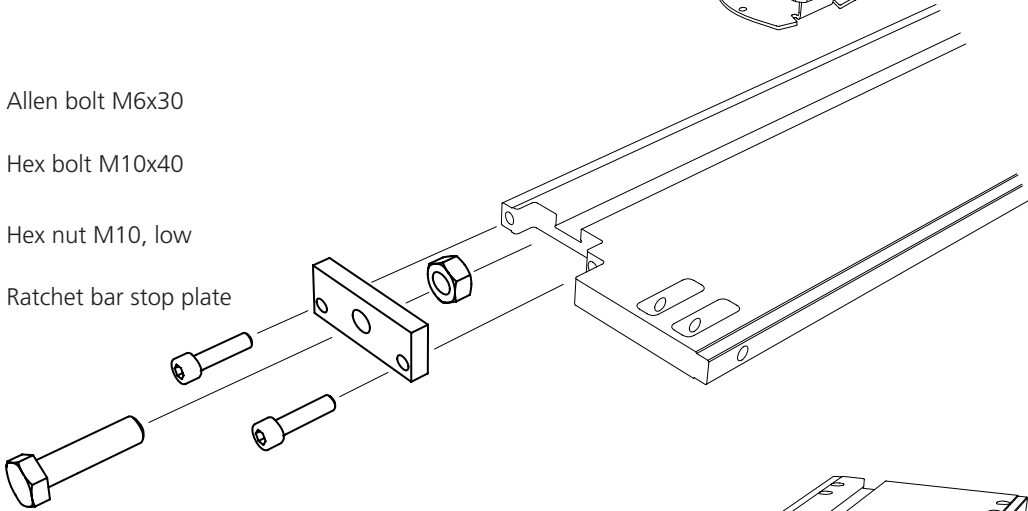
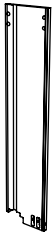
3

- Allen bolt M8x20 — 4 pcs
- Flange lock nut M8 — 4 pcs



4

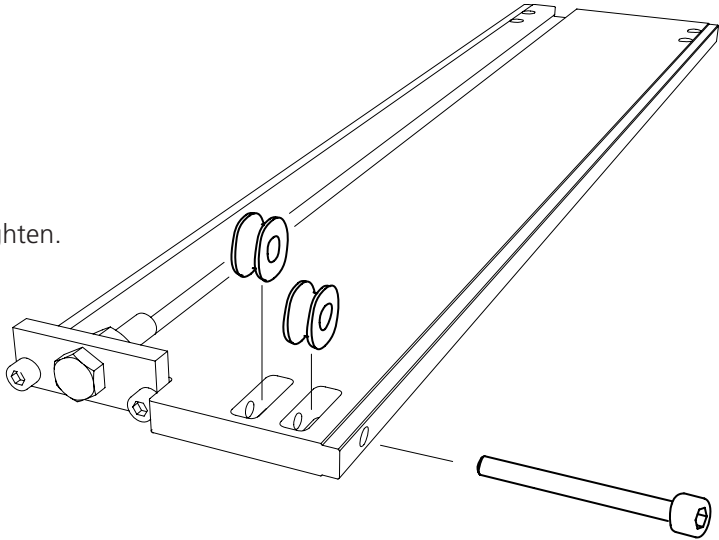
- Allen bolt M6x30 — 2 pcs
- Hex bolt M10x40 — 1 pc
- Hex nut M10, low — 1 pc
- Ratchet bar stop plate — 1 pc



5

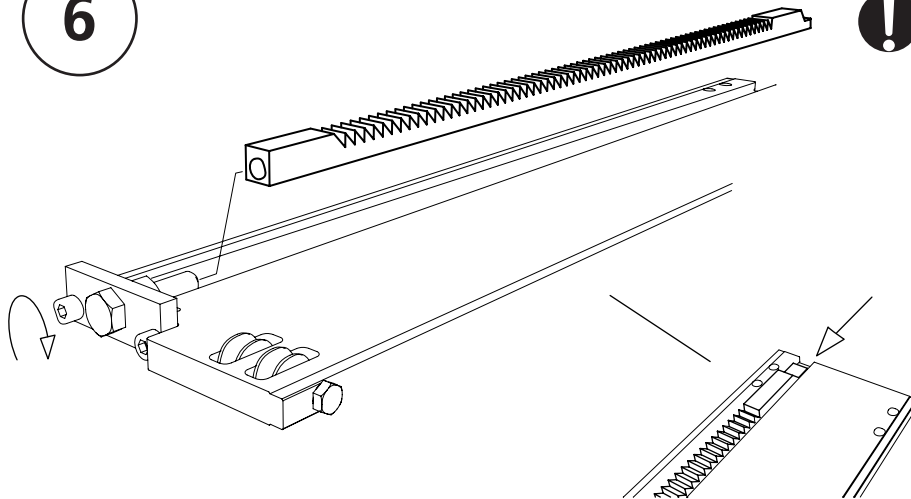
The Allen bolt can be difficult to tighten.

- Allen bolt M6x60 — 1 pc
- Line pulley — 2 pc




ASSEMBLY: LOG LIFTER


6

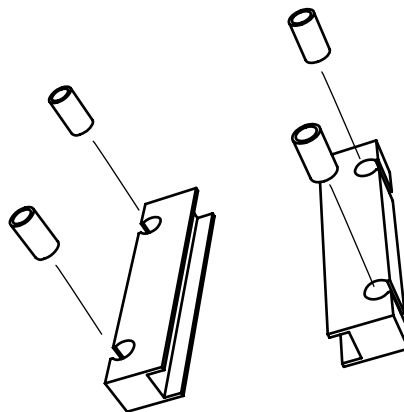


! Make sure that the end of the ratchet bar does not extend over the end of the lifting beam, since this makes it impossible to assemble the log bed. The ratchet bar is normally slightly bent towards the toothed side. When screwing it into place, it will get a tight fit against the lifting beam by the tension created.

7


 — 4 pcs — Spacer sleeve

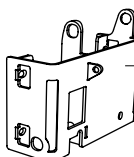
 — 2 pcs — Plastic glide

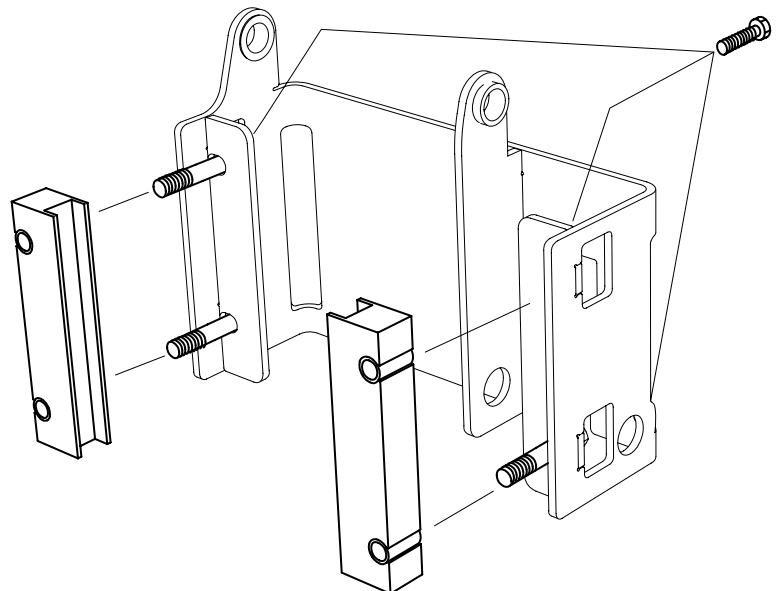


8

 — 4 pcs — Allen bolt M6x30

 — 2 pcs — Plastic glide

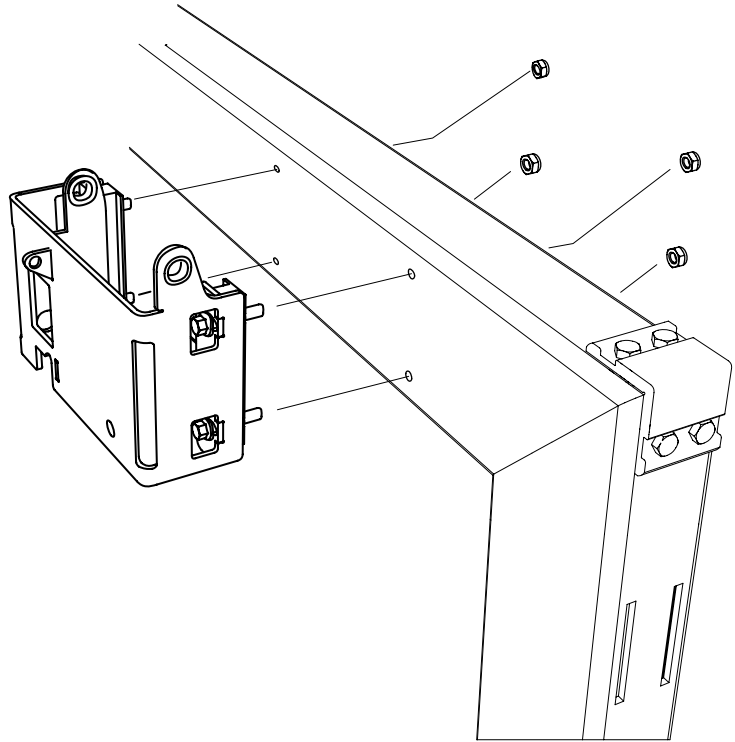
 — 1 pc — Ratchet cam housing



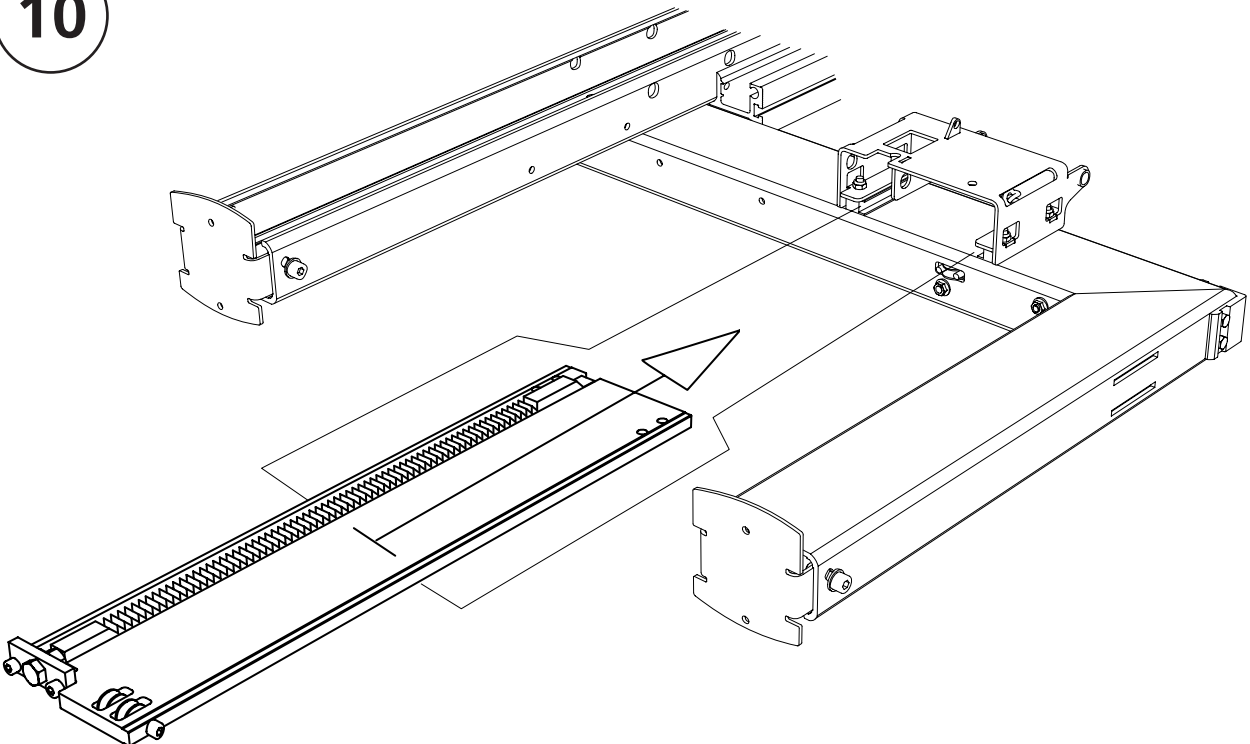
ASSEMBLY: LOG LIFTER

9

 — 4 pcs — Flange lock nut M6





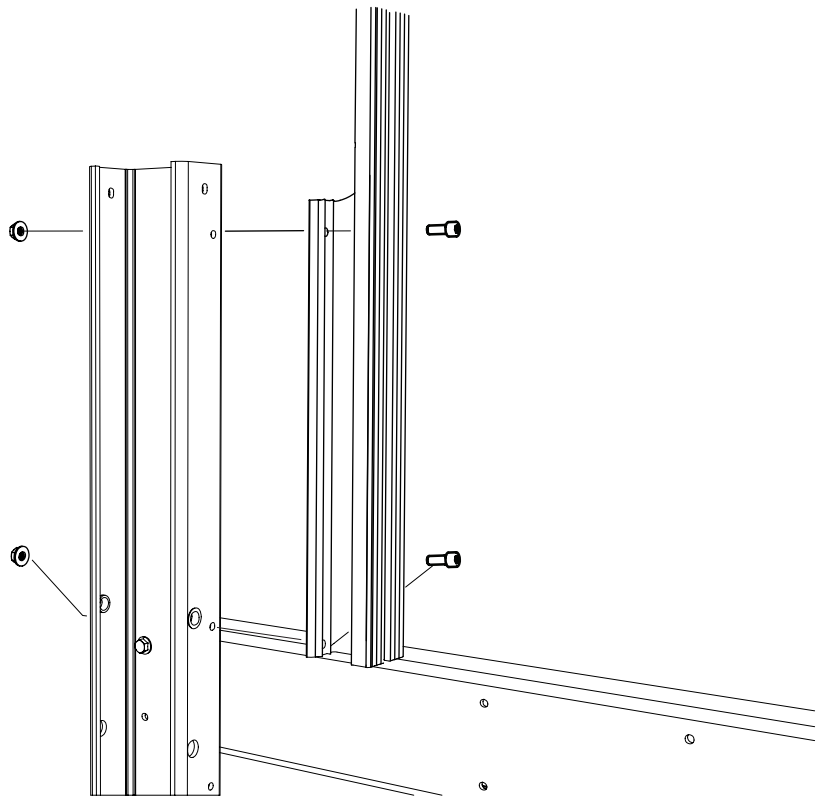
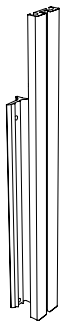
10





ASSEMBLY: LOG LIFTER

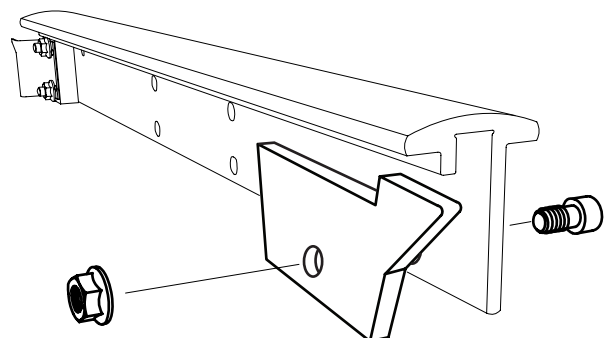
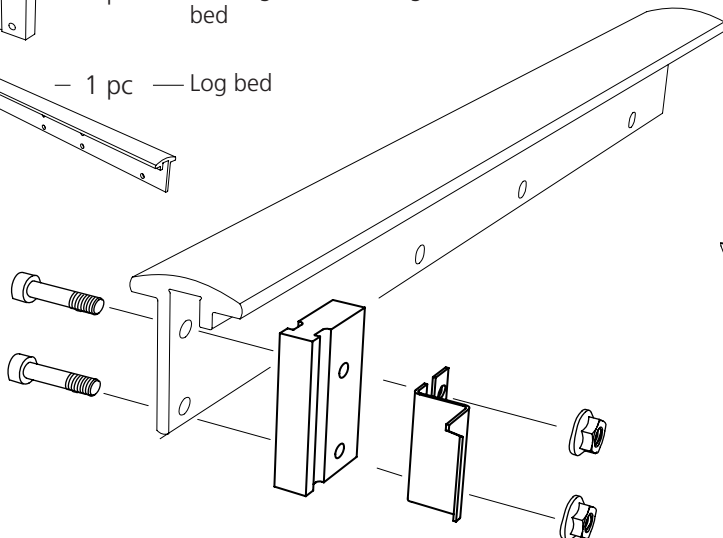
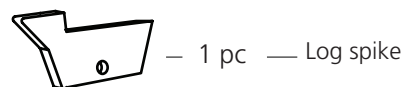
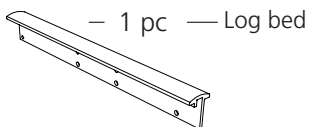
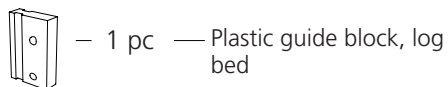
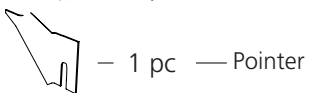
11

-  — 2 pcs — Allen bolt M8x20
-  — 2 pcs — Flange lock nut M8



12

-  — 2 pcs — Allen bolt M6x30
-  — 2 pcs — Flange lock nut M6



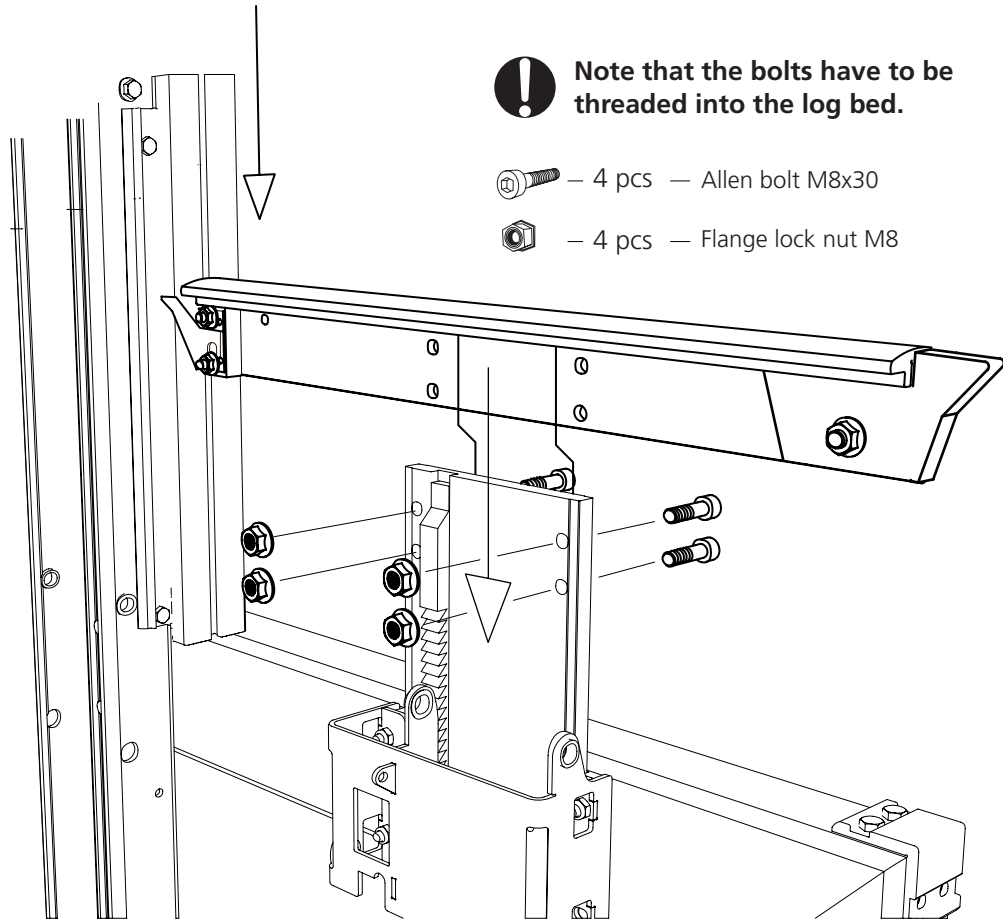
ASSEMBLY: LOG LIFTER

13


! Note that the bolts have to be threaded into the log bed.


 - 4 pcs - Allen bolt M8x30

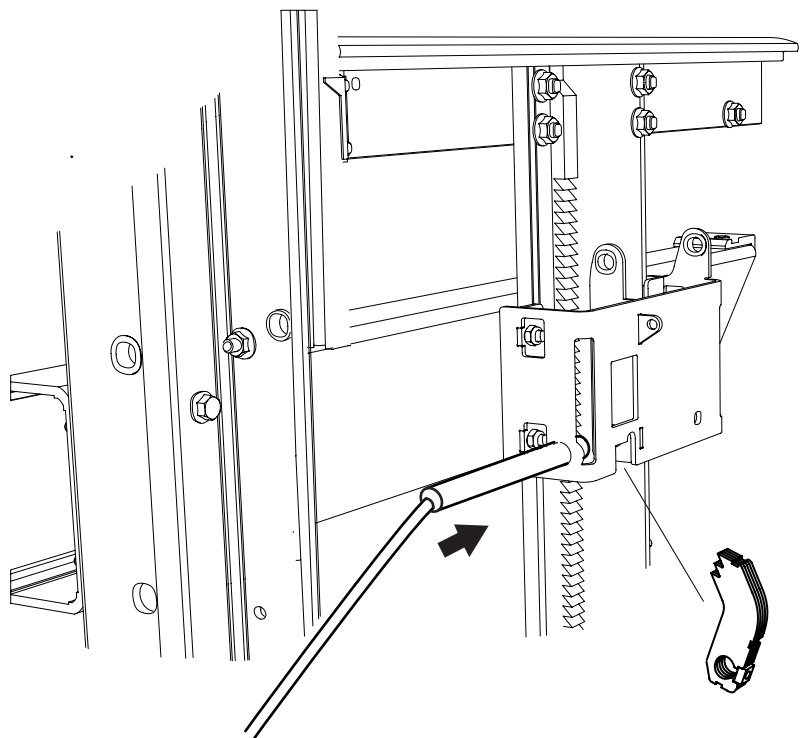
 - 4 pcs - Flange lock nut M8



14

 - 1 pc - Ratchet cam axle


 - 1 pc - Ratchet cam

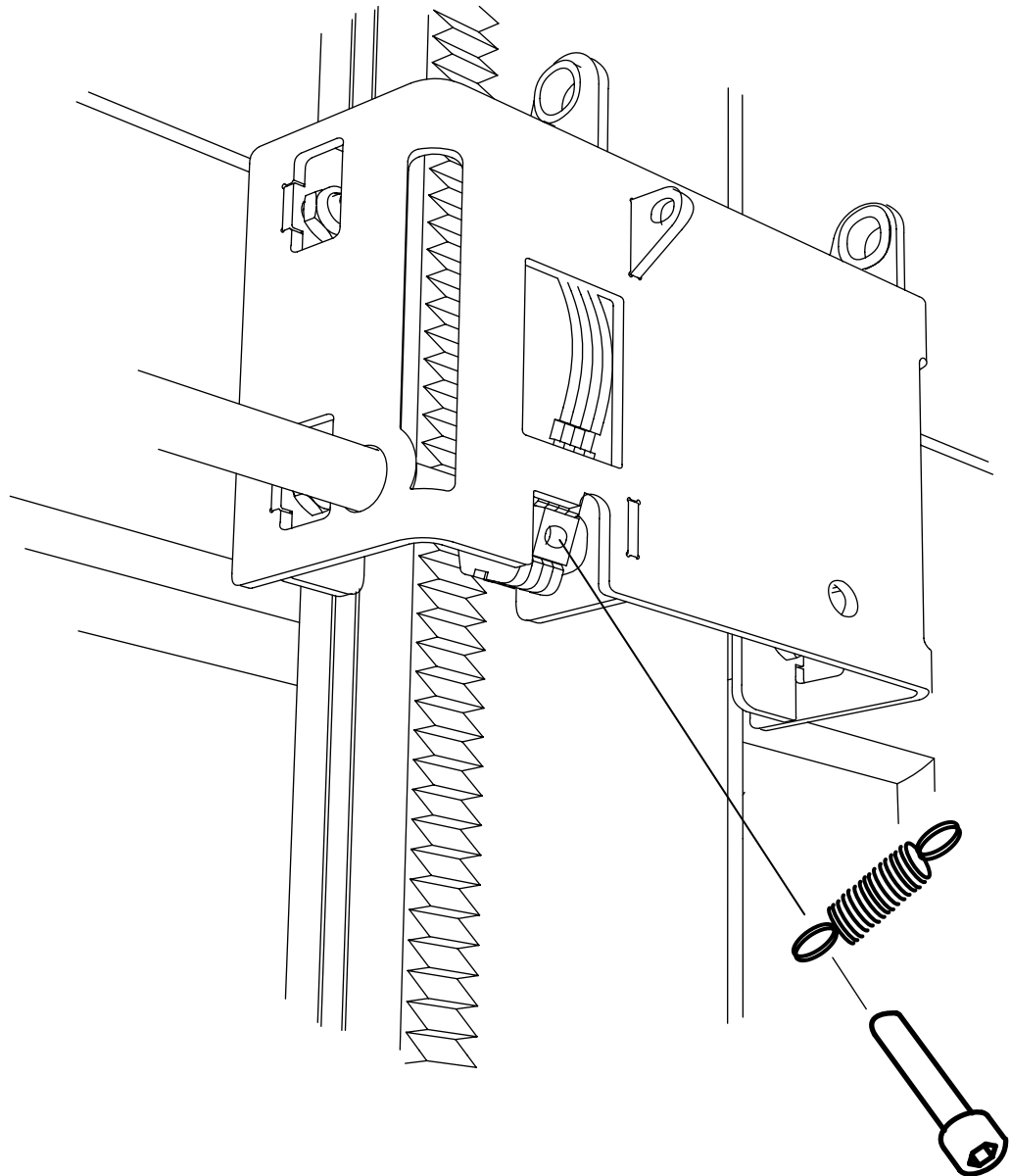


ASSEMBLY: LOG LIFTER

15

 — 1 pc — Allen bolt M6x20


 — 1 pc — Spring




ASSEMBLY: LOG LIFTER

16


 — 1 pc — Allen bolt M6x30

 — 1 pc — Lock nut M6

 — 1 pc — Hex nut M6

 — 1 pc — Spacer sleeve

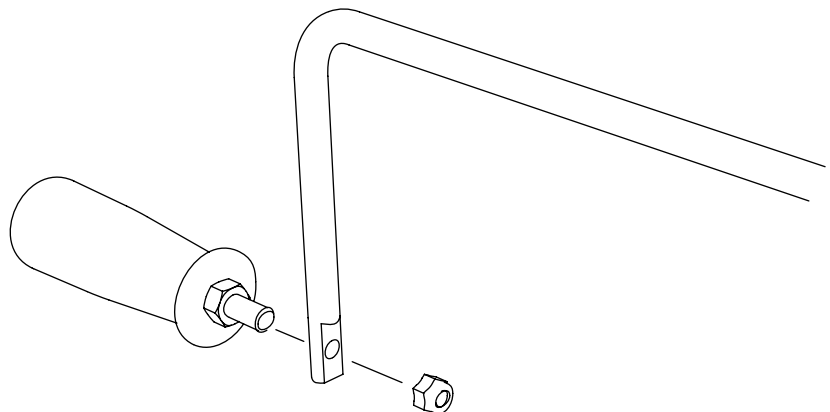
17

 — 1 pc — Allen bolt M8x80

 — 1 pc — Lock nut M8

 — 1 pc — Hex nut M8

 — 1 pc — Crank handle



ASSEMBLY: LOG LIFTER

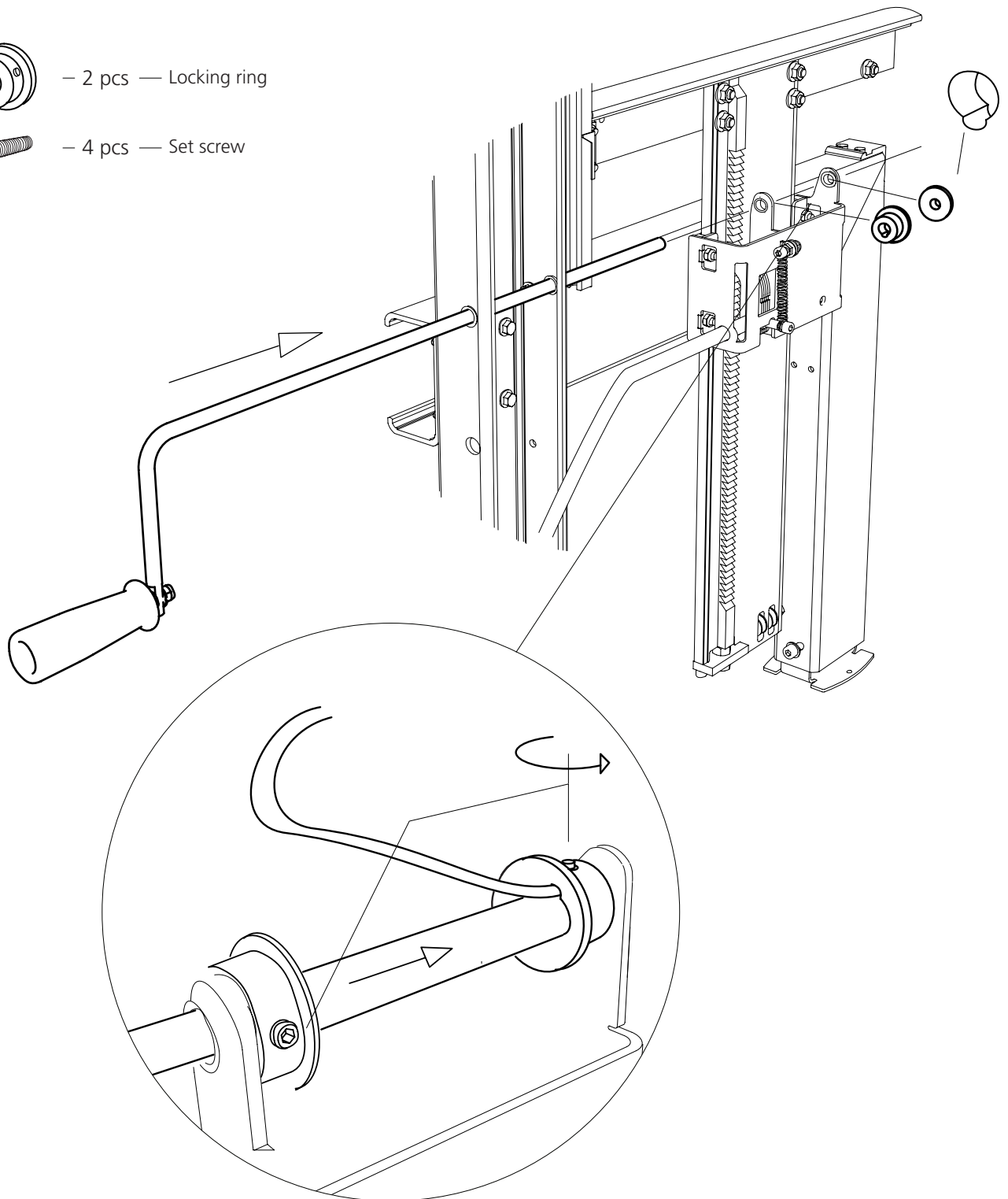
18 Note that the end of the line has to be fitted in the locking ring before assembly.



– 2 pcs — Locking ring



– 4 pcs — Set screw




ASSEMBLY: LOG LIFTER


19 Thread the lifting line through the bottom of the lifting beam.

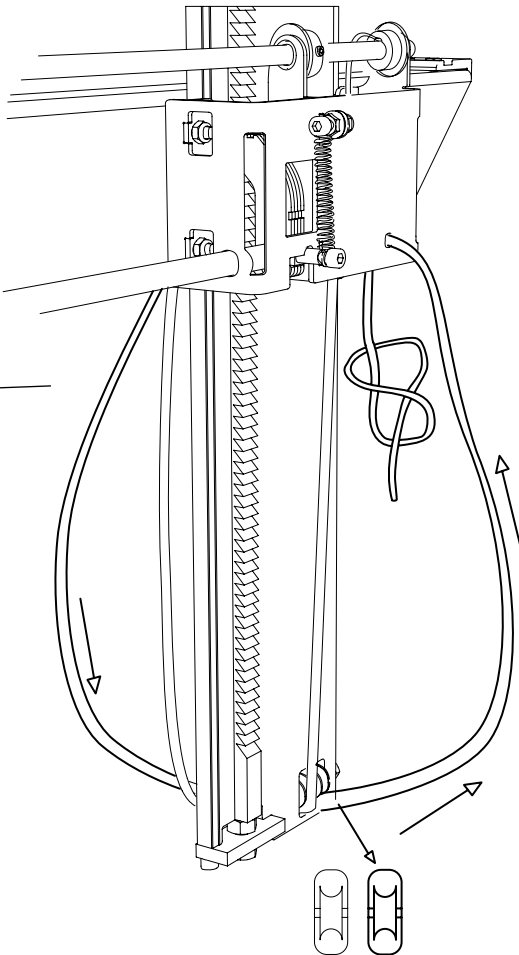
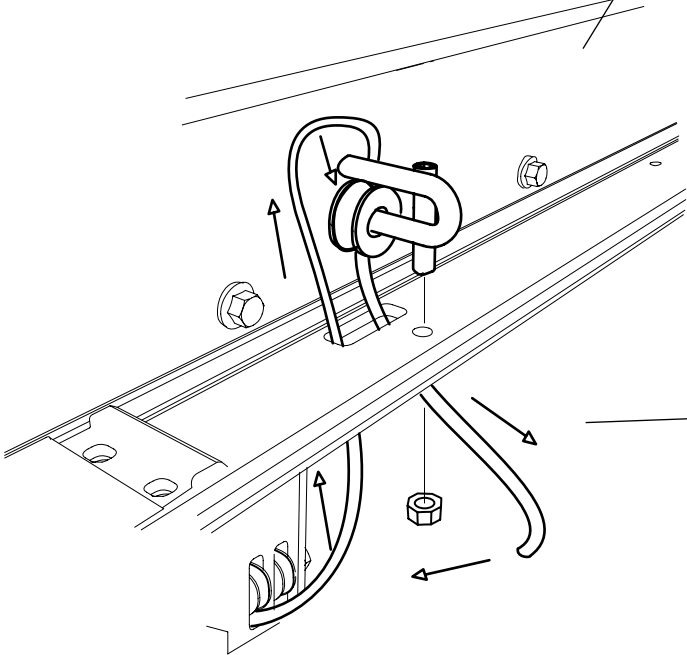
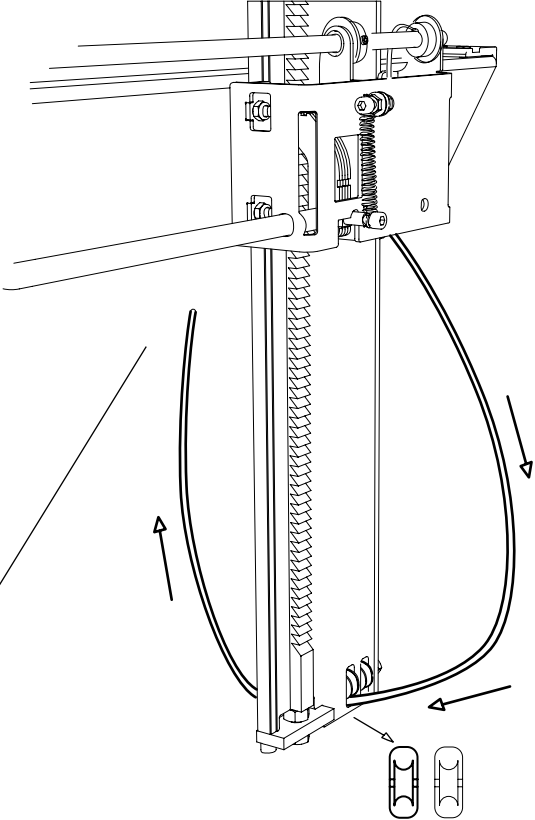
 - 1pc — Lifting line

20

 - 1pc — Flange lock nut M6

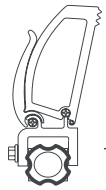
 - 1pc — Line pulley holder

 - 1pc — Line pulley

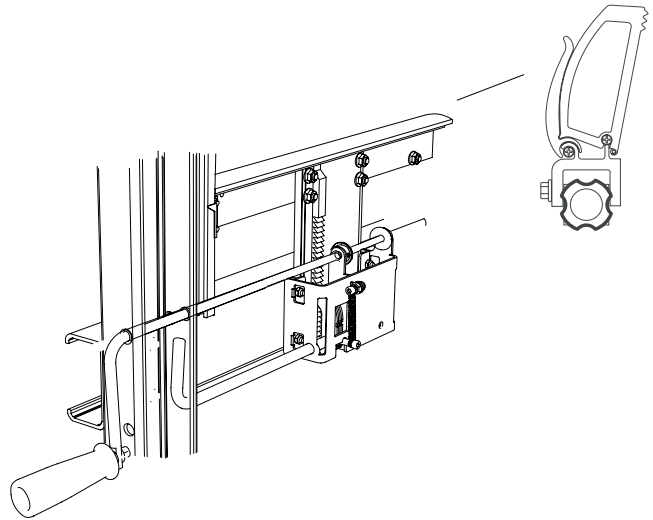


ASSEMBLY: LOG LIFTER

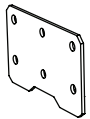
21



- 1 pcs — Log clamp



22



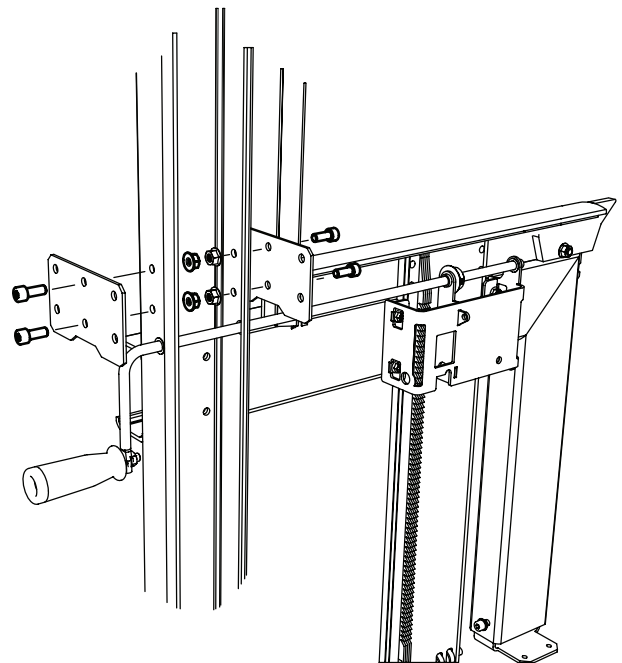
- 2 pcs — Strut plate



- 4 pcs — Allen bolt M8x20



- 4 pcs — Flange lock nut M8



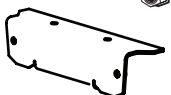
23



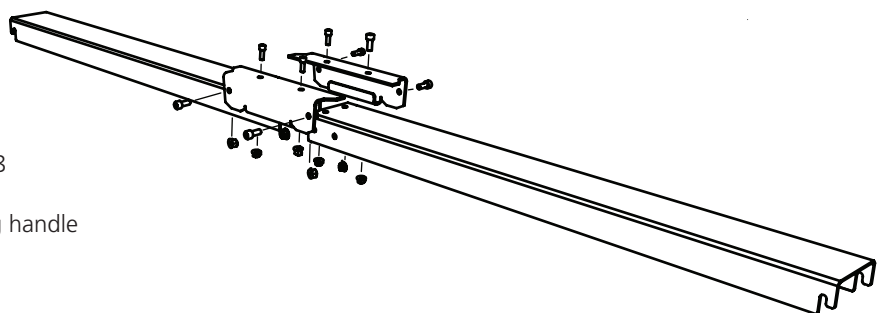
- 8 pcs — Allen bolt M8x20



- 8 pcs — Flange lock nut M8



- 2 pcs — Joint plate/carrying handle




ASSEMBLY: LOG LIFTER

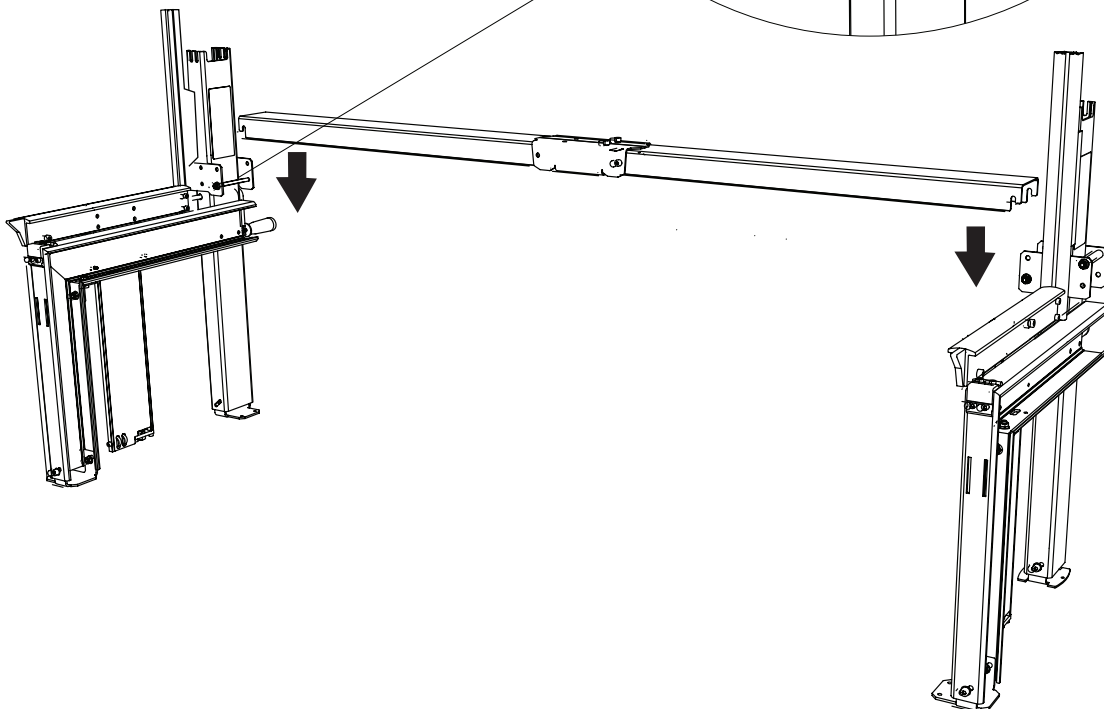
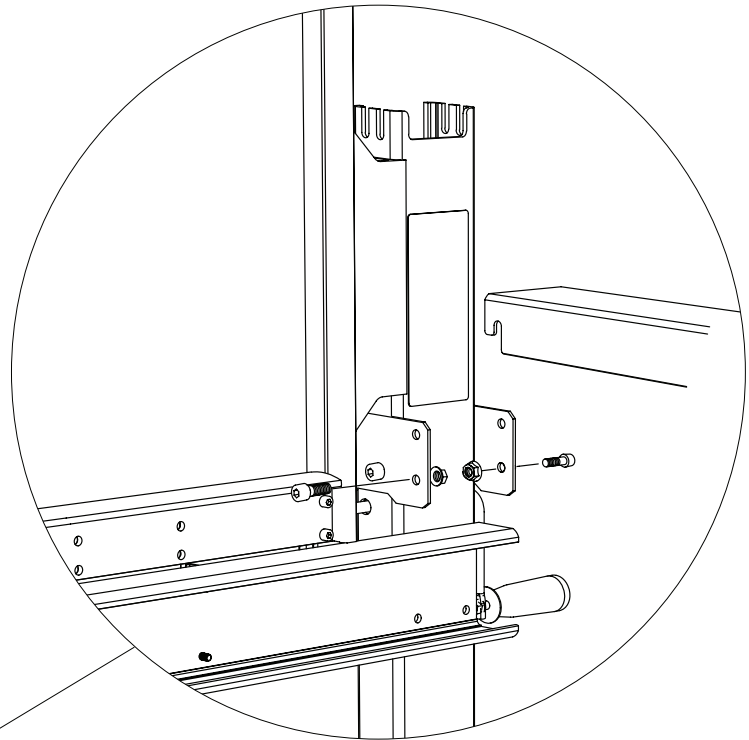
24

Repeat the steps 1-23 to assemble the other log lifter.

25

 – 4 pcs — Allen bolt M8x20

 – 4 pcs — Flange lock nut M8



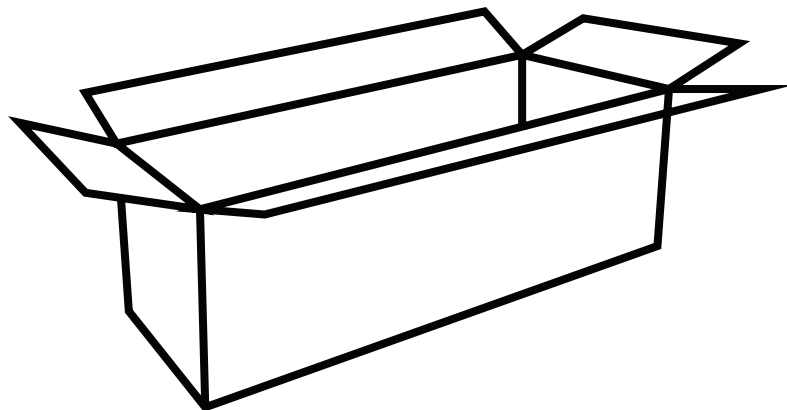


Good job!

To continue with the next step you need the parts from the guide rail boxes.

Open the guide rail boxes.

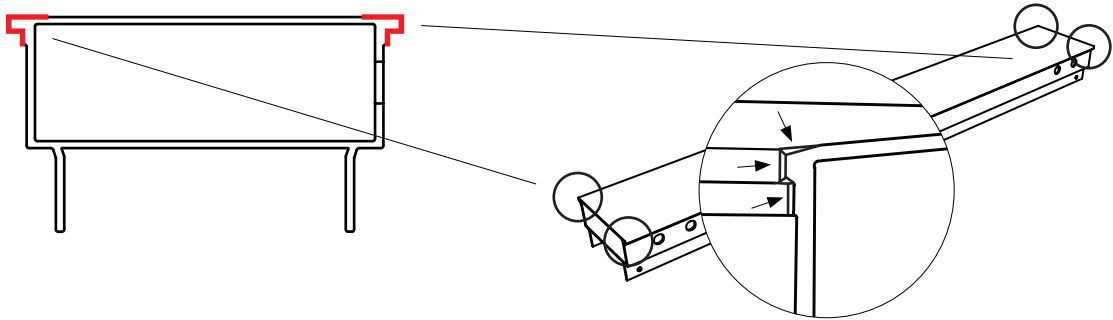
**Guide rail box
4525-010-2000**



ASSEMBLY: GUIDE RAIL

1

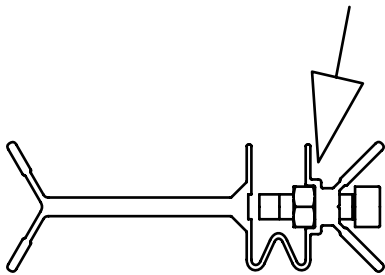
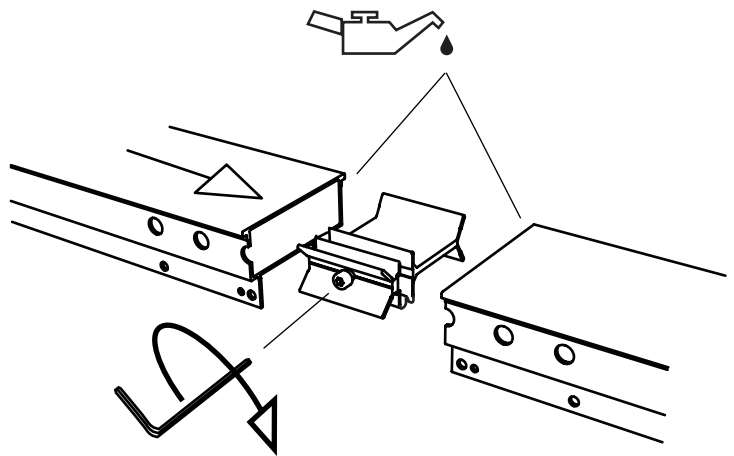
The guide rail sections can differ slightly in size. To ensure that the saw carriage will slide smoothly over the joints, the guide rail sections may need to be sanded down a little in the corners. Use the supplied sandpaper to rub off the four corners of the guide rail section, as shown in the illustration below.



2

Fit together four guide rail sections, as in the illustration.

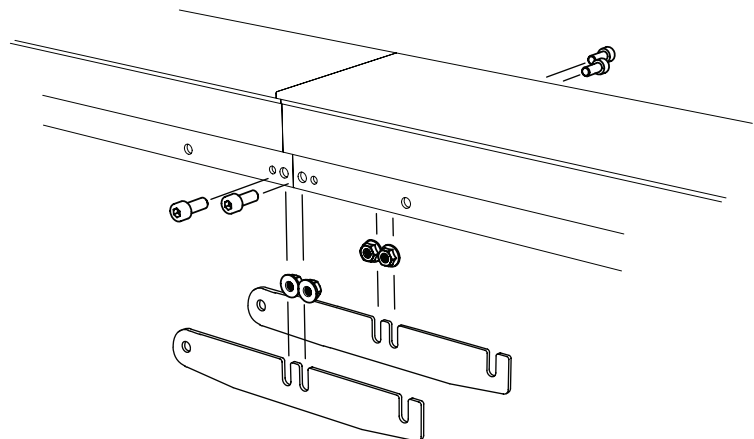
! The joint coupler should be fitted in the guide rail with its opening facing outwards, as in the illustration. The lock nut should be positioned correctly in the nut recess. The bolt should not be tightened when the joint coupler is installed in the guide rail ends.



3


 4 pcs — Allen bolt M8x20

 4 pcs — Flange lock nut M8

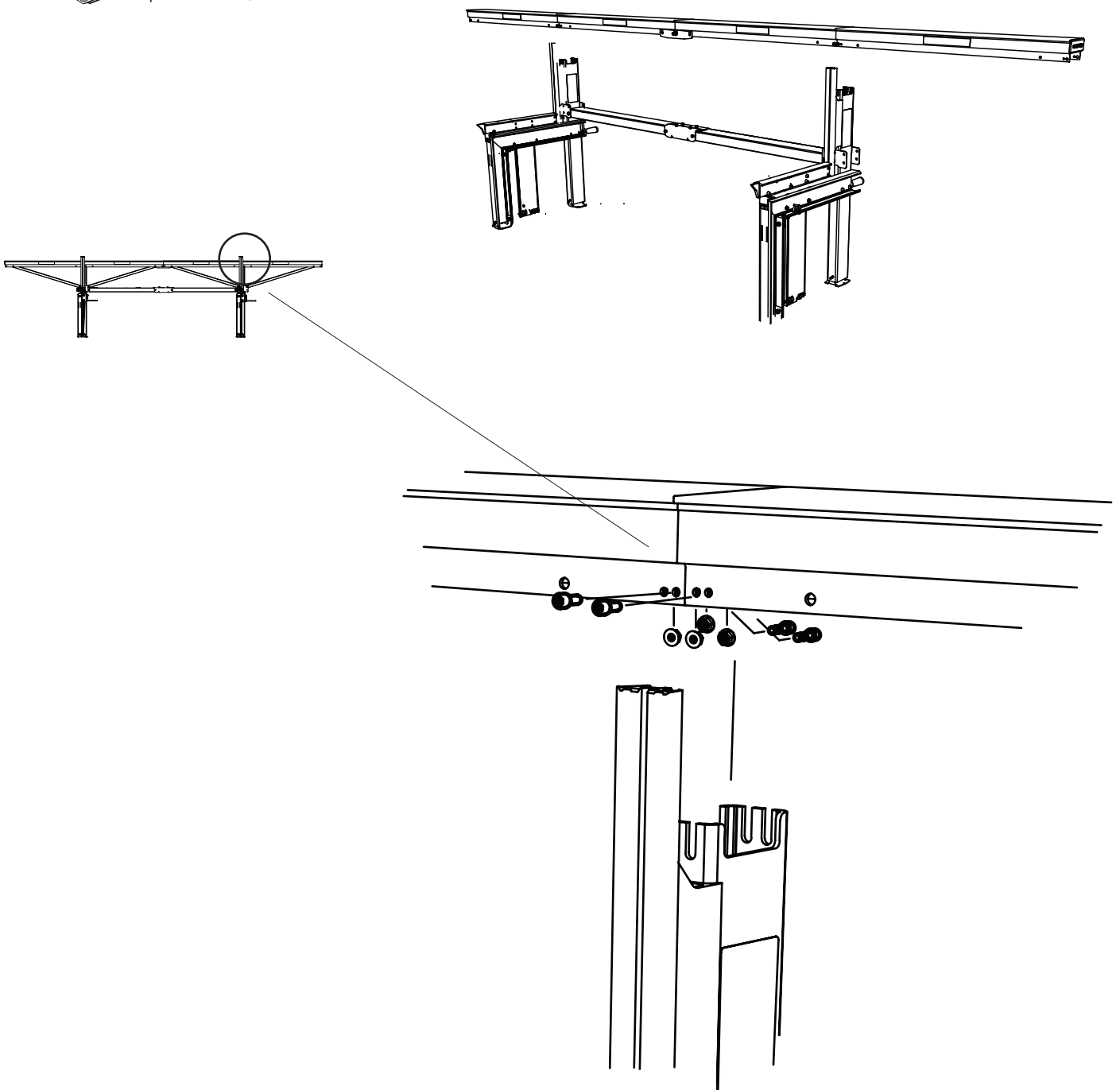


ASSEMBLY: GUIDE RAIL

4


 — 8 pcs — Allen bolt M8x20


 — 8 pcs — Flange lock nut M8



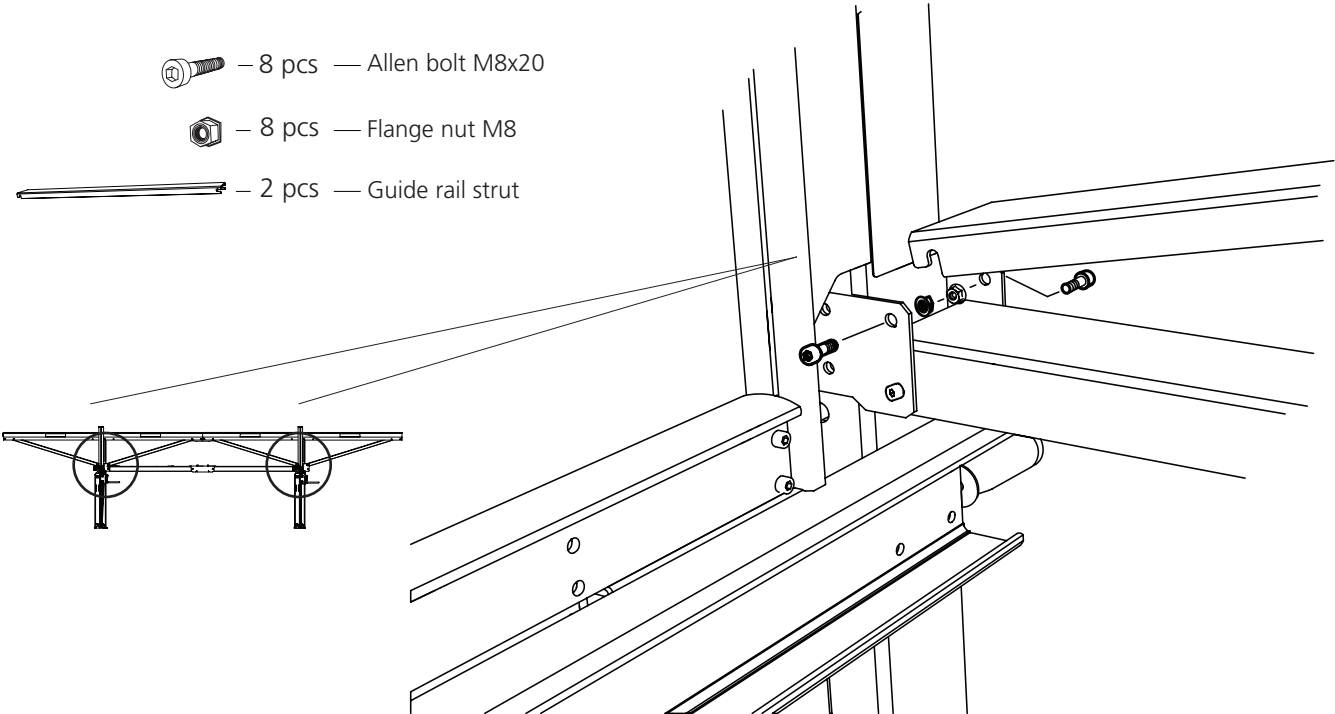
ASSEMBLY: GUIDE RAIL

5

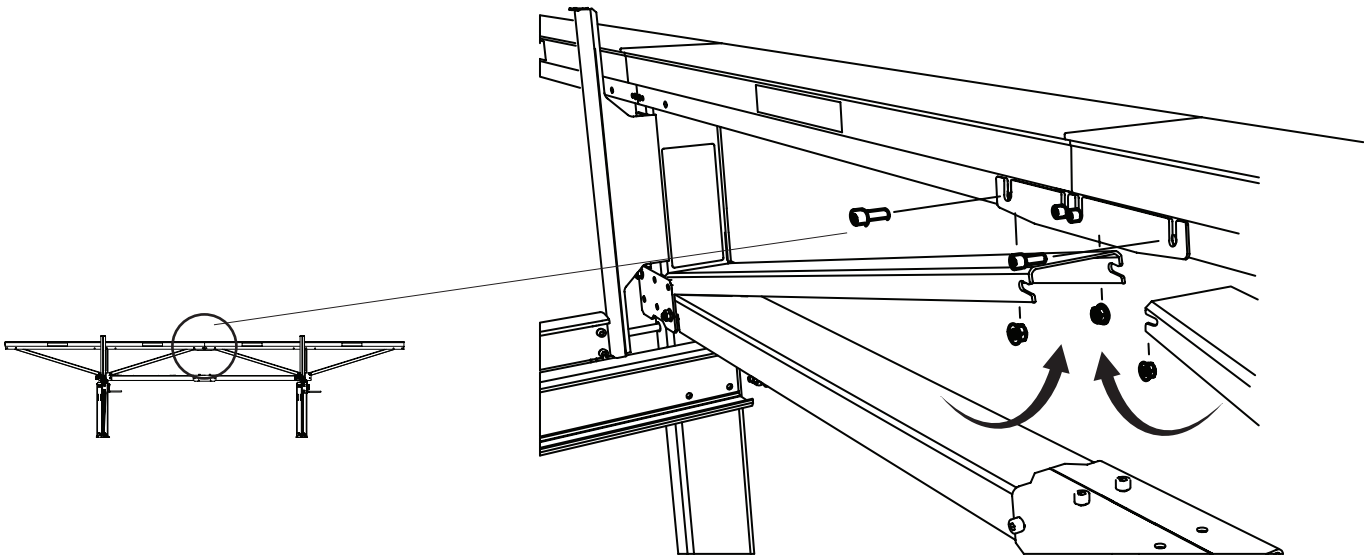
 — 8 pcs — Allen bolt M8x20

 — 8 pcs — Flange nut M8

 — 2 pcs — Guide rail strut



6




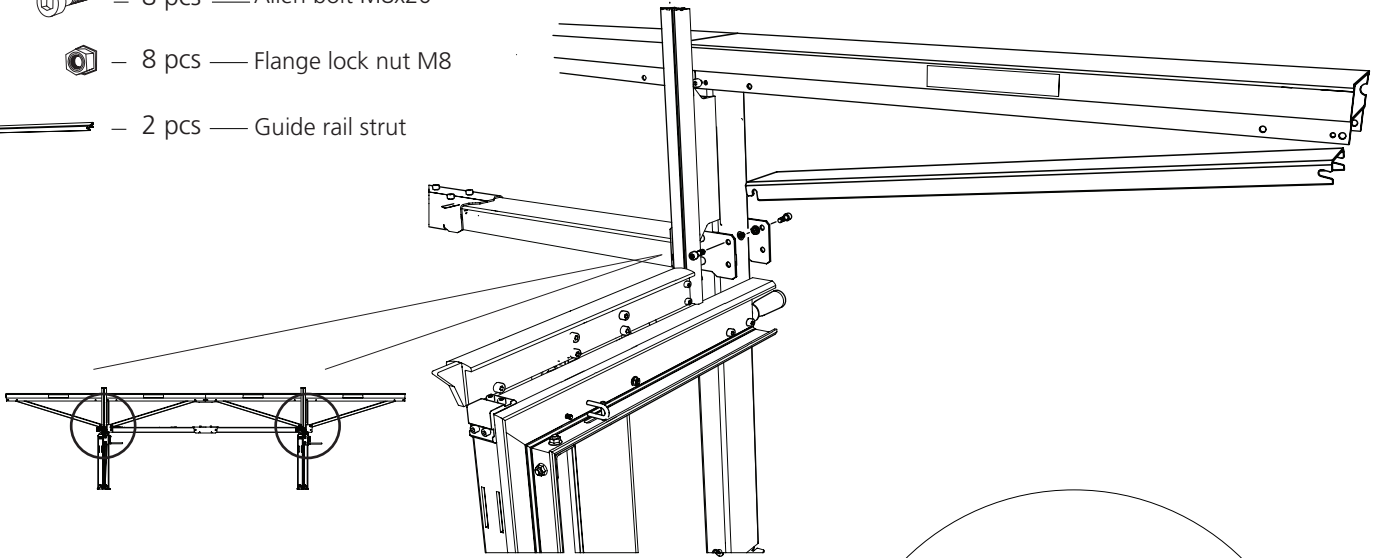
ASSEMBLY: GUIDE RAIL

7

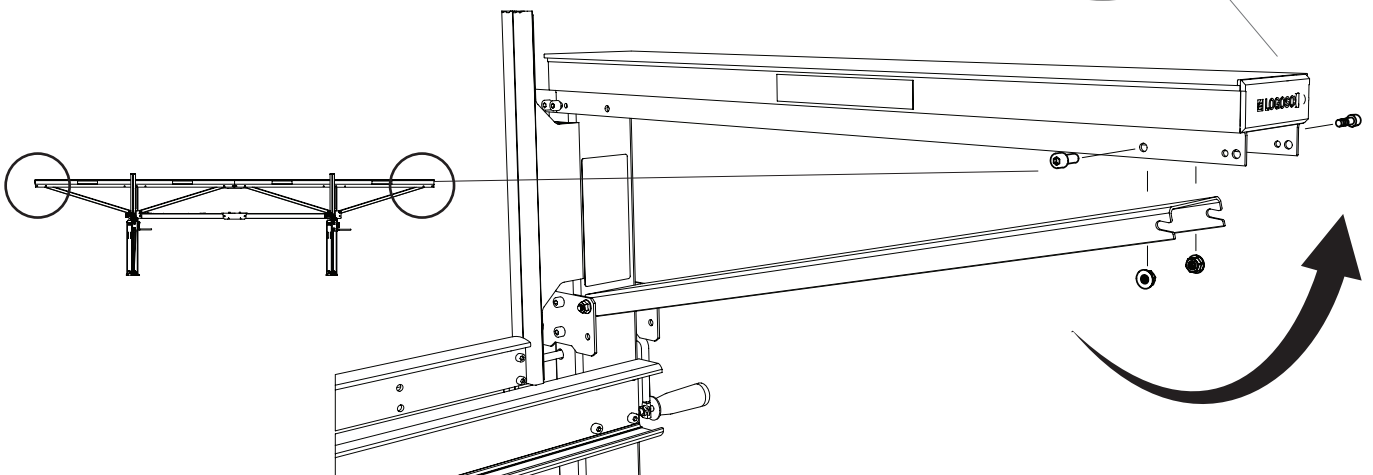
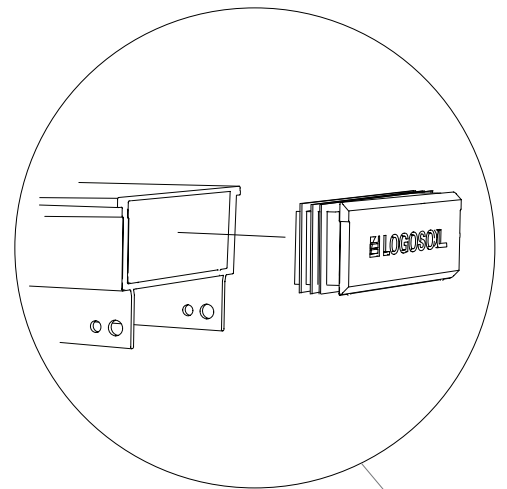
 – 8 pcs — Allen bolt M8x20

 – 8 pcs — Flange lock nut M8

 – 2 pcs — Guide rail strut



8



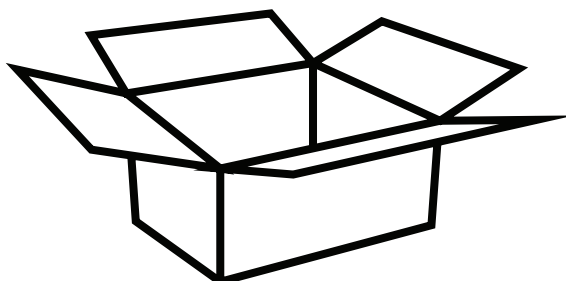


Good job!


Now it is time to assemble the saw carriage.

Open the saw carriage box.


**Saw carriage box
4525-001-0010**

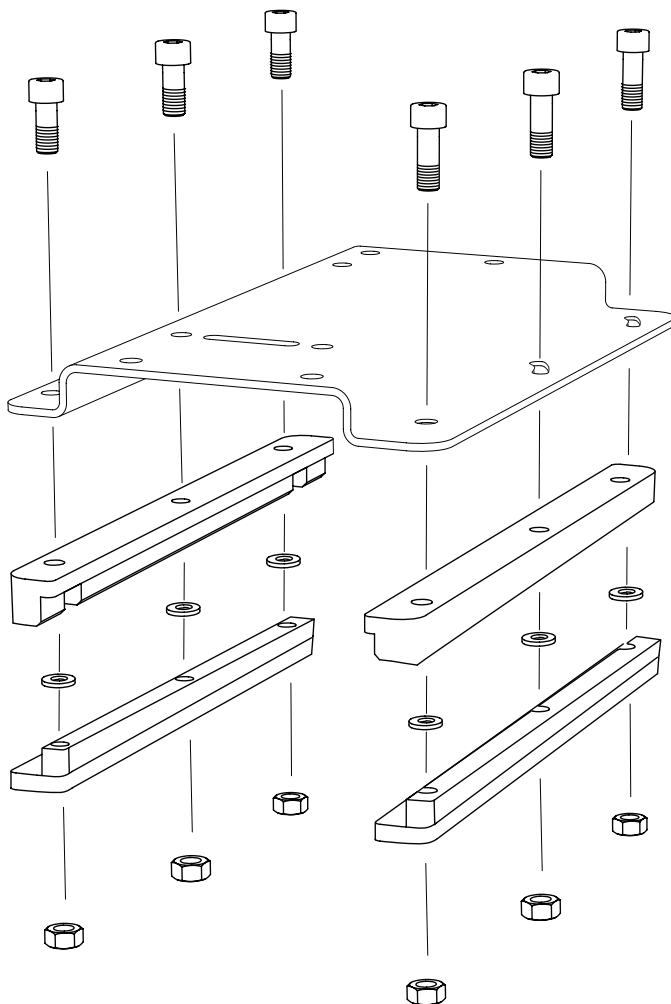


ASSEMBLY: SAW CARRAIGE

 – 6 pcs — Allen bolt M8x30

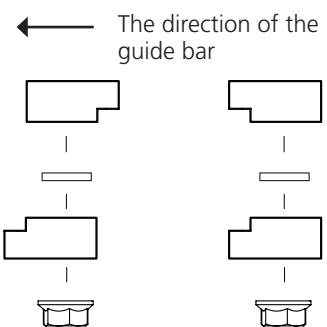
 – 6 pcs — Lock nut M8

 – 6 pcs — Wave washer M8

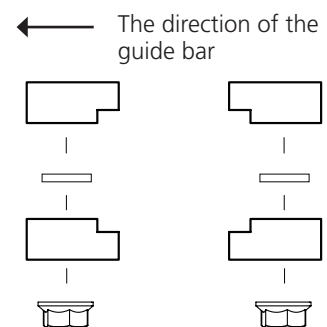


Assembly of slide rails

A. For a removable saw carriage.



B. For a saw carriage equipped with crank and bar nose steering.



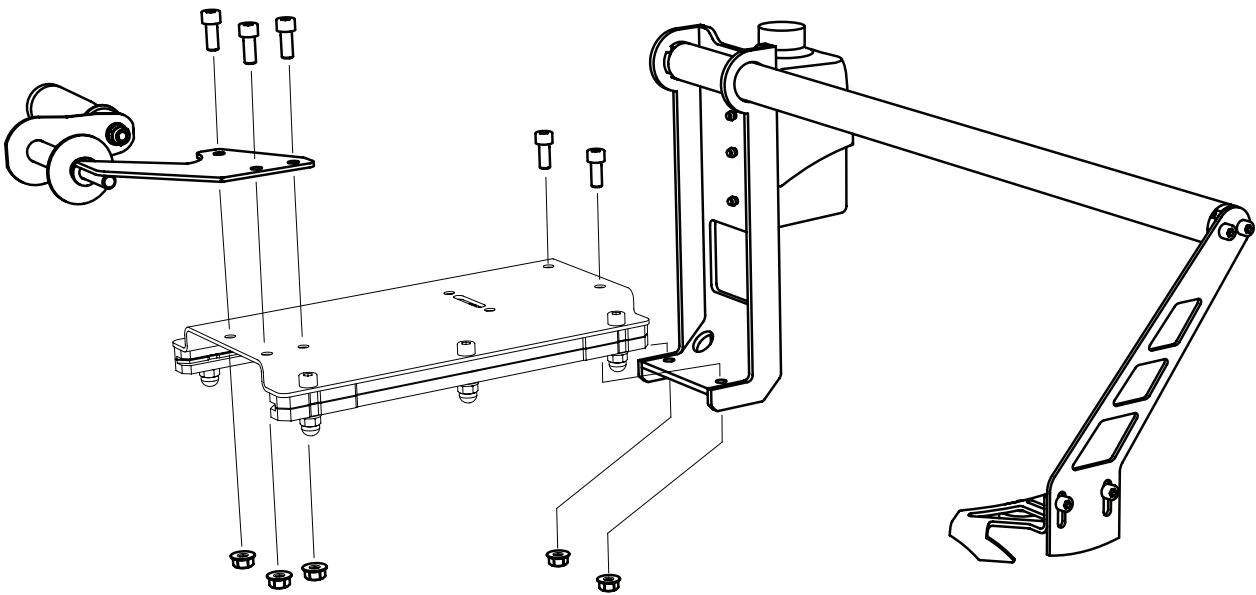
! The slide rails have to be assembled as in illustration B when the saw carriage is equipped with crank and bar nose steering.

ASSEMBLY: SAW CARRIAGE

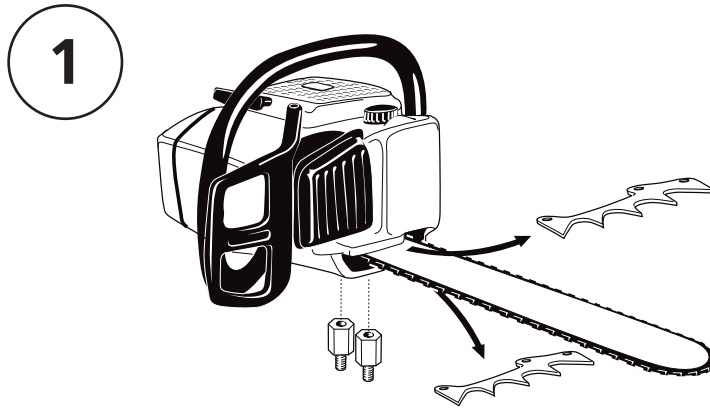
The saw carriage can later be upgraded with vibration-damped feed crank, stable bar nose steering and water cooling. This gives you a more convenient feed of the saw unit and higher accuracy when taking wide cuts.

 — 5 pcs — Allen bolt M8x20

 — 5 pcs — Flange lock nut M8



ASSEMBLY: CHAINSAW

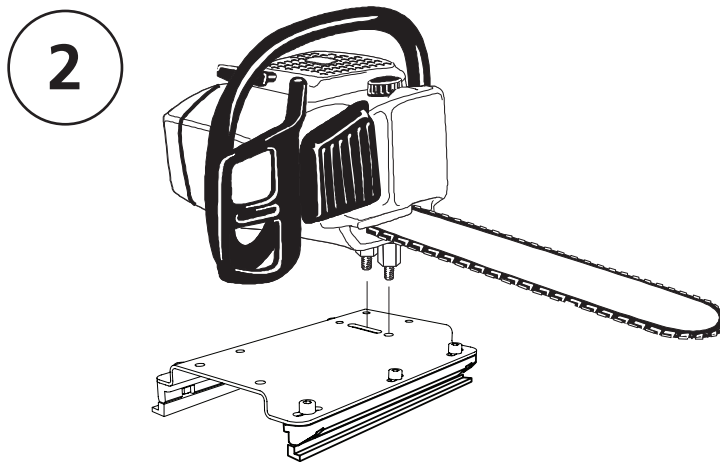


Unscrew the two guide bar nuts from the chainsaw and remove the guide bar cover.

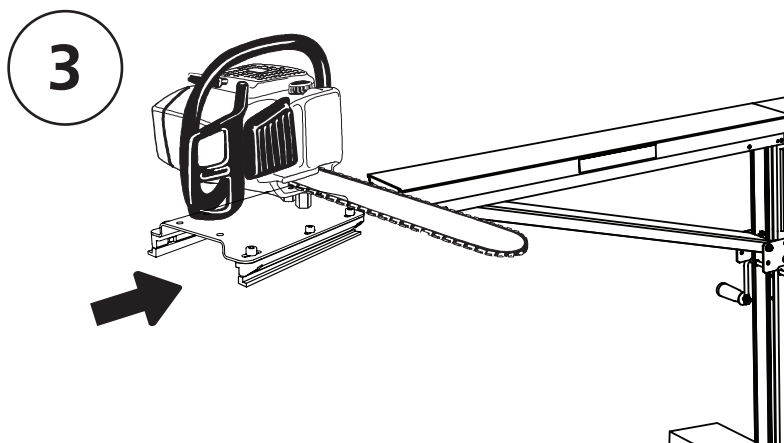
Remove the bark grips, but leave the bolts in place.

Refit the guide bar cover, but replace the guide bar nuts with LOGOSOL nuts.

! Only CE-approved chainsaws with two guide bar nuts may be used with the LOGOSOL F2.



Fit the Logosol nuts through the track in the carriage. Tighten the chainsaw into place by using the chainsaw's guide bar nuts under the plate.

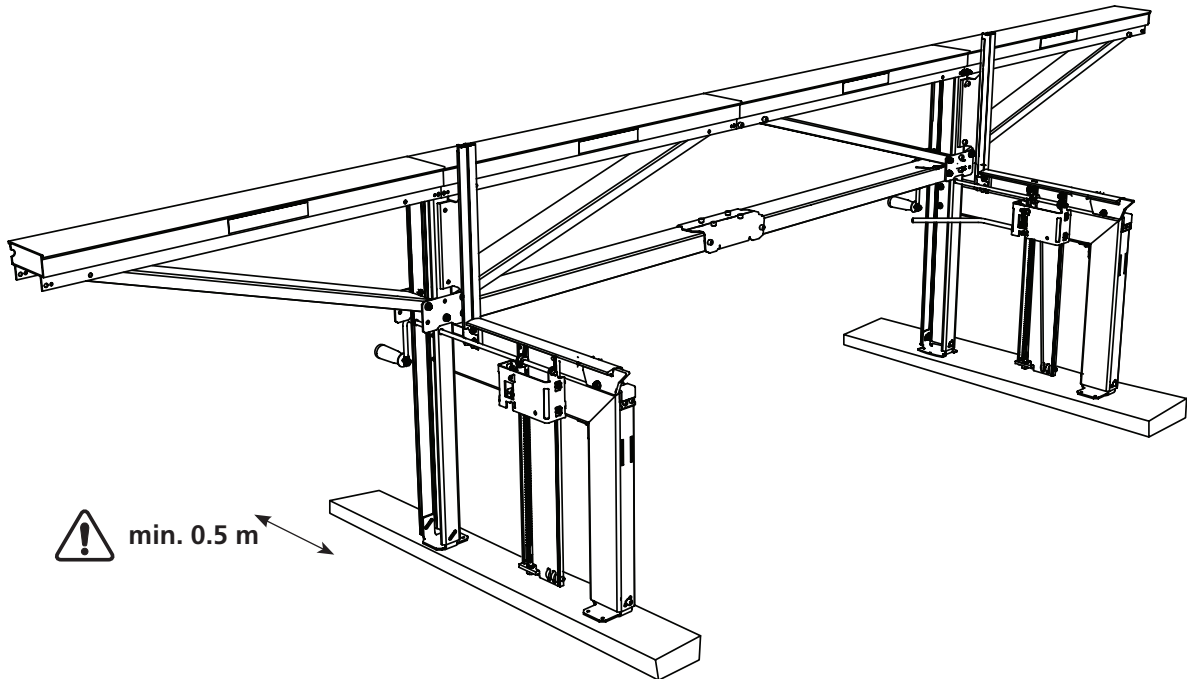


Push the carriage onto the guide rail with the guide bar in the direction of the log beds.

! Always hold the chainsaw when it is on the guide rail.

! Never leave the chainsaw on the guide rail when the engine is on.

SITING



When the sawmill is placed directly on the ground, the surface must be firm and level enough to drive a car on.

Fit a board under each log lifter. The boards must be of good quality, at least 50x150 mm and 1.5 m long.

The boards must extend at least 0.5 m out from the long legs.

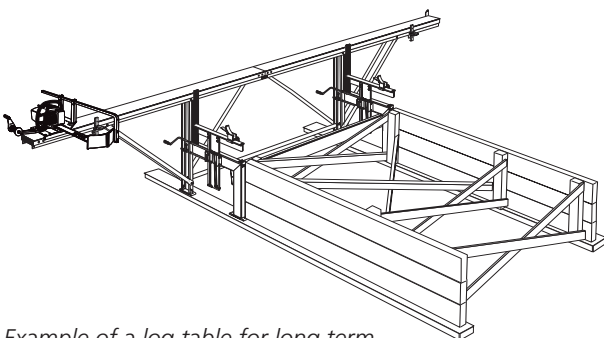
! The LOGOSOL F2 must not lean more than 5 degrees in any direction.

! Risk of overturning. The LOGOSOL F2 must not be used unless the feet are fixed to the underlying surface or to boards.

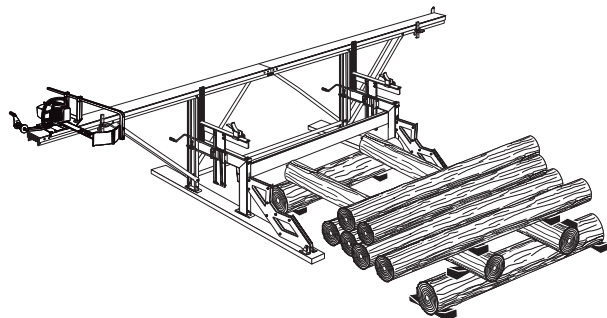
! Risk that the saw unit slides off the beam.

! When bolting the LOGOSOL F2 to a concrete floor, asphalt surface or similar surface, a rubber underlay should be placed under each foot in order to prevent vibration damage to the sawmill.

! Secure the logs with wedges or reliable straps.

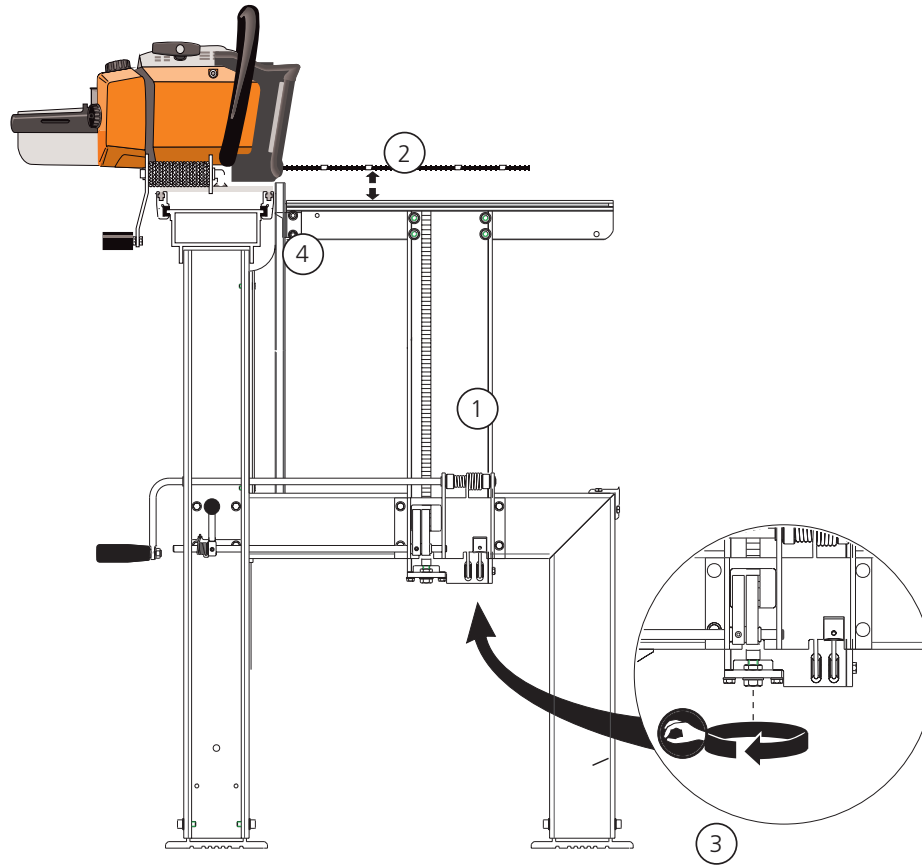


Example of a log table for long term set-up. Log ladders of steel are available as accessories for the LOGOSOL F2.



Example of a temporary log table.

ADJUSTMENT: LOG LIFTER



- 1** Check that when the log bed is cranked down, it moves easily through the ratchet cam housing driven by its own weight. If this is not the case:
- Set the log bed to its top position. Lock it with the ratchet cam.
 - Loosen the four bolts in the ratchet cam housing and adjust it so it is straight in relation to the lifting beam. Tighten the bolts.
 - Set the log bed to its lowest position. Loosen the plastic slide rail on the log bed to make it fit in the log support track. Tighten.

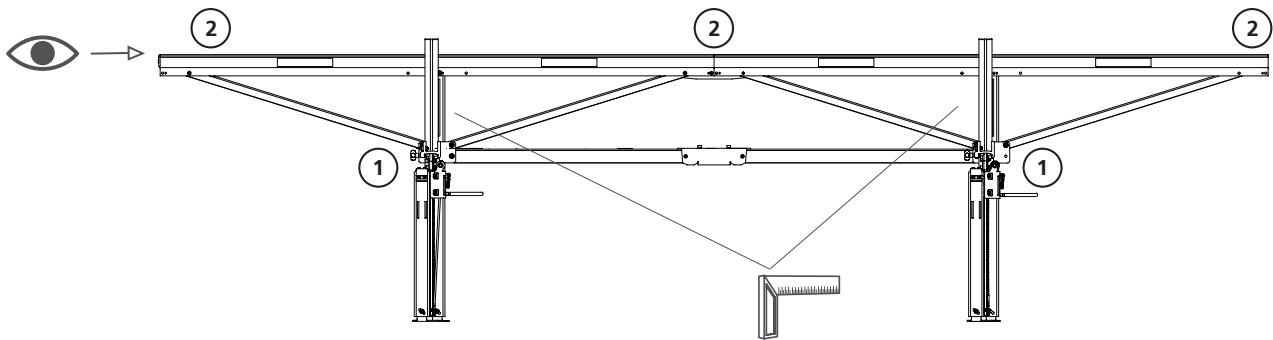
- 2** Check the height of the log bed. Position the saw unit so that the guide bar is right over the log bed. Move the log bed up to the notch nearest to 2 inches (52 mm) from the underside of the guide bar.
- 3** Adjust using the bolt and locking nut on the end of the ratchet bar until it is 2 inches (52 mm) between the log bed and the guide bar. Should the adjustment be insufficient, move the ratchet cam up or down a notch and adjust again. Lock by using the lock nut.

- 4** The scale pointer: Loosen the two bolts holding the pointer and the plastic block on the log bed. Set both pointers on the scale to 2 inches (52 mm).

! **Lubricate the sliding surfaces of the lifting beam and the track in the log support with silicone spray (9999-000-5110) or Superflo (9999-000-5115).**

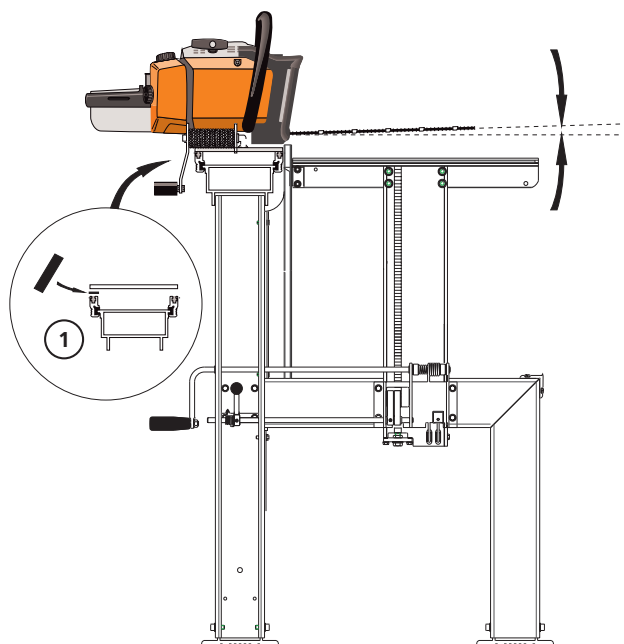
ADJUSTMENT: GUIDE RAIL

Check the straightness of the guide rail. Look from one of the upper corners of the guide rail, along the guide rail, and you can easily see if it is not straight. You can also stretch a string along the guide rail. Place a coin under the string on both ends of the guide rail, so you get a gap between the string and the guide rail.



- 1 Tighten the lower bolt joints where the guide rail struts are fitted to the strut plates in the long legs.
- 2 Look along the guide rail and press it straight at the same time as you tighten the bolts in the upper bolt joints.

ADJUSTMENT: GUIDE BAR

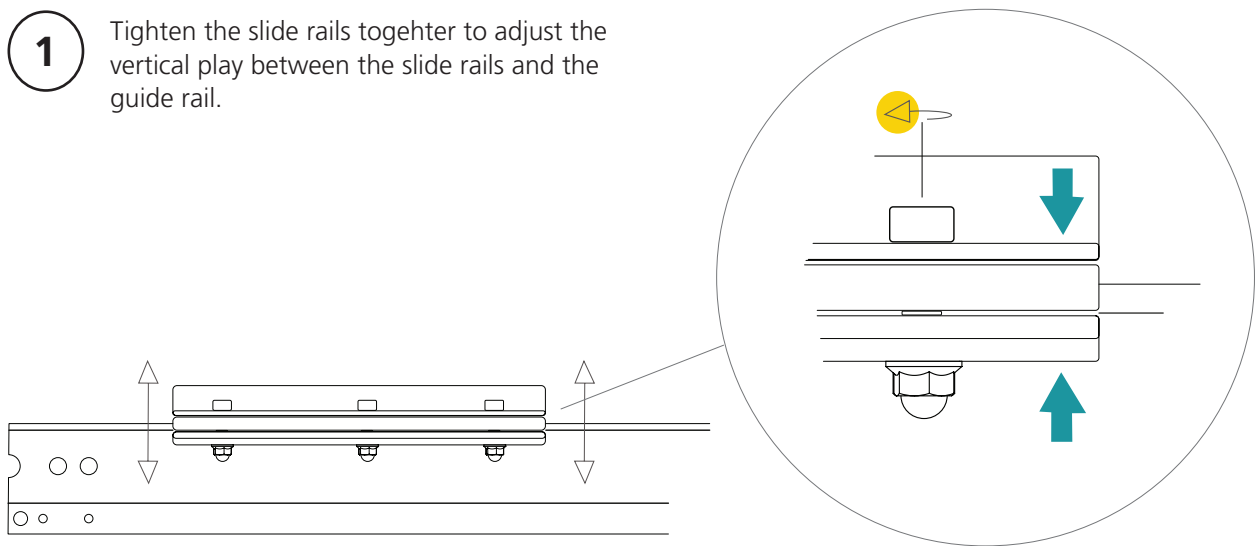


- 1 The straightness of the guide bar can vary between different chainsaws.
It should only be necessary to adjust a guide bar once, provided that it is not bent during sawing.
If you notice that you have to readjust the guide bar in the same direction when turning it over, it may be that the guide bar mount is not straight. This can be compensated for by placing one or more shims between the slide rails and the carriage bottom plate.
You can also use thin pieces of aluminium from a soft drink can.

ADJUSTMENT: SAW CARRIAGE

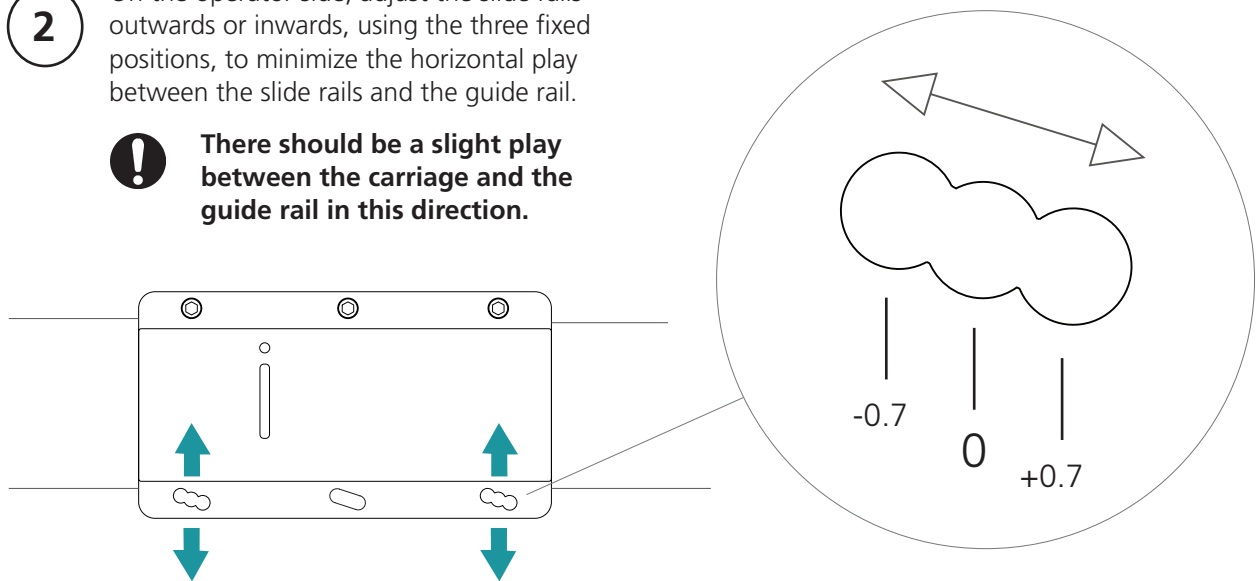
Adjust the saw carriage for a perfect fit on the guide rail. Regularly lubricate the guide rail and slide rails with silicone spray.

- 1 Tighten the slide rails together to adjust the vertical play between the slide rails and the guide rail.



- 2 On the operator side, adjust the slide rails outwards or inwards, using the three fixed positions, to minimize the horizontal play between the slide rails and the guide rail.

! There should be a slight play between the carriage and the guide rail in this direction.



CUTTING EQUIPMENT

LOGOSOL's ripping chain allows quick length sawing with a thin kerf. But it is less durable than normal chains. If you keep the cutting equipment in good condition, you get the right timber dimensions, faster sawing and the cutting equipment will last longer.

Sharpen the chain before it gets dull

When the chain is beginning to get dull, you will notice that the cutting speed is decreasing, the guide bar becomes hot and it becomes harder to feed the saw unit forward. Stop sawing immediately! Actually, when this happens, it is already too late to sharpen the chain. Sawing with a dull chain exposes the cutting equipment to high levels of mechanical stress. Therefore, sharpen the chain before it becomes dull!

Avoid chain breaks

If you are sawing too long with a dull chain, it can break. The chain breaks under the cutting teeth, and you will see that it is worn there.

If, however, a drive link breaks, this can be due to the chain and sprocket not being a good match. The best solution is to run 5 chains alternately on one chain drive. When the chains are worn out, then replace the entire set. A completely new chain on a worn sprocket can break in the first few minutes of use.

It is not recommended to run a normal 1.6 mm cross-cutting chain and 1.3 mm ripping chain on the same sprocket.

The guide bar can pull askew

If the chain has been damaged on one side or been filed unevenly, it can run incorrectly. The guide bar is pressed upwards or downwards and "springs back" when it comes out of the log. The chain will then wear more on one bar rail, and if you continue to saw the guide bar will wear unevenly. Even though you replace the chain, an unevenly worn bar can guide the chain incorrectly and, in addition, the new chain can also be worn down. An unevenly worn bar can be repaired. File bar rails so they are equally high e.g. with an edge file (SKU: 9999-000-0450) or LOGOSOL's electric guide bar grinder (SKU: 7804-000-0005). Another more common reason for the guide bar pulling askew is that it is worn out so that the drive links touches the bottom in the track of the

guide bar and the chain loses the support provided by the bar rails. This is shown on the chain by the tip on the drive link becoming worn.

The best chain oil

In order for the chain oil to work well it must be viscous and thready. When you place a drop between the thumb and the index finger and then open them, long threads should form. We recommend LOGOSOL's sawmill chain oil, SKU numbers as given below:

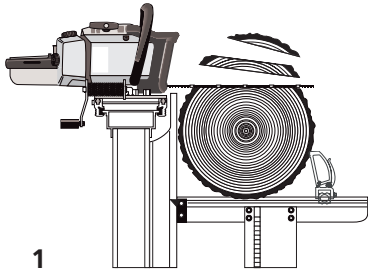
1 litre, SKU: 0718-000-1001

10 litre, SKU :0718-000-1010

Handbook for your cutting tools

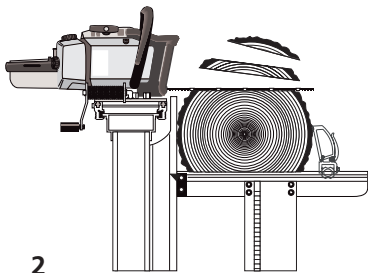
LOGOSOL has a separate document which we keep updated with respect to the technical specification of the latest new products. It is called 'The Handbook for Your Cutting Tools' and can be downloaded free of charge from our web site. You can also order a printed version.

SAWING: STEP BY STEP



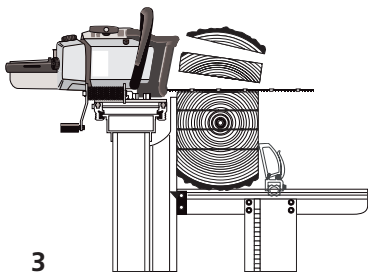
1

1.1 Roll the log onto the log bed.



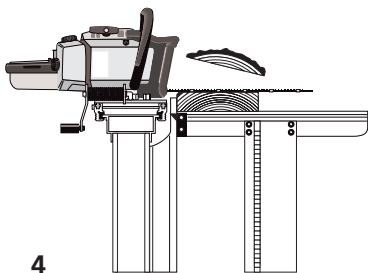
2

1.2 Secure the log in place using the log clamps.



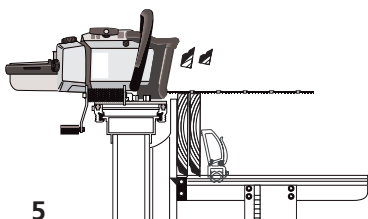
3

1.3 Engage the ratchet cam with the help of the ratchet bar.



4

1.4 Raise the log so that a suitable slab size will be cut off. Normally, the top end of the log is raised 1/4" or 1/2" (one or two clicks) above the root end so that the cut will be parallel to the grain.



5

1.5 Secure the log so that it can not rotate. This should be done prior to each cut.

1.6 Cut off the slab.

1.7 For larger logs you raise the log bed to cut another, waney-edged board (e.g. 2 1/4", nine clicks, for a 2" board).

2.1 Make the saw cut and then rotate the log 180 degrees.

2.2 For small logs, now set the cant height to 6", e.g. The log beds are at the same height. For larger logs, set to 7 1/4" or 8 1/4" e.g., if you want to cut a 1" or 2" board before cutting the height of the cant.

2.3 Cut off the slab and, in some cases, the waney-edged board.

3.1 Rotate the cant 90 degrees. Secure it. Set the height to a suitable slab size. Once more, the top end should be set slightly higher than the root end.

3.2 Raise both log beds equally much, while retaining the difference in height between them, and cut boards until

approx. 4" (10 cm) remain of the cant. Always remember to add 1/4" to the desired board thickness to compensate for the kerf.

4.1 Rotate the cant 180° and set both log beds to the same height. If the last boards to be cut are a 1" board and a 2" board, you set both log beds to 3 1/4" (2"+1/4"+1").

4.2 Cut off the last slab. Raise 1 1/4". Cut the 1" board.

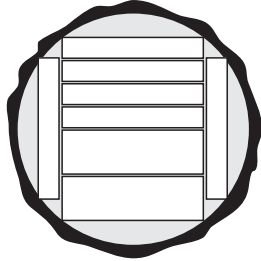
4.3 What you have left now, is a 2" board.

5 Place the waney-edged boards on their edges. Secure the boards and then edge them.

As always, adjust the height of the log beds when you have a bark side resting on them, and set the log beds to the same height when you have turned the boards over and have the edged side facing downwards.

SAWING: TIPS AND ADVICE

At the start, it can be a good idea to draw lines on the log ends showing what you are planning to cut out from the log. Use a broad tip marker pen to make the line correspond with the kerf.

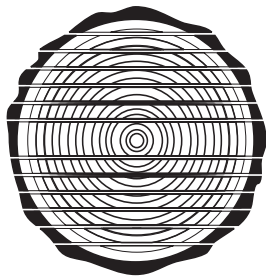


Keep in mind that:

- when an unsawn surface of the log faces down, the log bed where the top end of the log rests is to be set higher than the one where the root end rests.
- The beds are set to the same height when a sawn surface faces down.
- Compensate for the kerf (1 click equals 1/4") when the board is cut above the guide bar.
- Do not compensate for the kerf when the board is cut under the guide bar.
- The last board must not be thinner than 2".
- Make sure that you do not cut into the log clamps.

Through-and-through sawing

Sometimes, it can be better to slice up the log into waney-edged boards. This way you can get a little more out of every log. However, this method takes a bit more time. When cutting fine joinery timber, it can be a good idea to edge only one side before drying the timber. The last edging is not made until you know what the board is to be used for. This is to be able to make use of as much as possible of the timber.



When you are going to slice up a log, it is best if you first cut off a thin slab and then turn that side down to make the log rest on a flat surface on at least one of the log beds. This prevents the log from moving

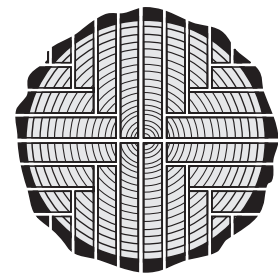
between the cuts and you will have nice and even boards.

Rotate the log when you have come close to the centre of the log. Calculate at what height you should start sawing.

Remember to compensate with 1/4" for every cut.

Quarter sawing

Quarter sawing provides you with the finest timber. You get optimum grain direction in every board, which is a big advantage when the wood is intended for cabinetmaking e.g. The downside is that it takes time, it is difficult, and you get several different board widths. Quarter sawing should not be applied when cutting small logs.



Start by cutting the log in half at its centre. Then you cut through the middle of the halves to get quarters.

When cutting the boards, you turn the cant after each cut. Sometimes, it can be easier to cut from below. This way the height of the log beds can be left unchanged.

Does this seem difficult?

We are many here at LOGOSOL that have long experience in sawing. If you, as a new sawmill owner, have any question, you are warmly welcome to call us. We are happy to provide you with useful tips and advice.

TROUBLESHOOTING

Causes of incorrect measurements when sawing with the LOGOSOL F2

- A. The sawmill is incorrectly adjusted or set-up.
- B. The cutting equipment does not work as it should.
- C. Tensions in the timber.

A. Checking the sawmill

1. Check that each of the four legs of the sawmill stands firmly and that the feet do not sink into the ground when the sawmill is loaded with a heavy log.
2. Check the levelness of the log beds to make sure that the sawmill is not skewed. Check both when the sawmill is loaded and unloaded.
3. Using a set square, check very carefully that the guide rail is at an exact 90° angle to the long legs. even a small deviation can lead to incorrect timber measurements.
4. Set the distance between the guide bar and the log beds so that it is exactly the same at both log beds. Make sure that the guide bar and the log beds are fully parallel.
5. Check that the guide rail is absolutely straight by sighting along it, or by running a line over the guide rail and using nails or the like as spacers between the line and the guide rail.

If support legs are used for the guide rail, it is essential that they stand on a rigid surface such as a pole driven into the ground.

Even factory-new guide bars can be out of true. This is detected if the parallel relation to the log bed changes when the guide bar is turned. A bent guide bar is most easily straightened by being pressed up or down while the saw is mounted on the sawmill (page 41).

6. Check that the guide bar is straight in relation to the sawing direction by placing a straight 1.5 m long strip of wood on the guide bar (without the chain). Then sight across the wood strip. It must be parallel with the guide rail. If the wood strip is angled more than 5 mm forwards or backwards, it can have a negative effect on sawing. An out of true

guide bar is corrected by placing washers between the carriage plate and the slide rail. Non-parallel guide bars most often occur when chainsaws other than Stihl are used.

7. The sawmill settings can be checked by placing a broad board of maximum length on the log beds for edging. First saw away a 1/4" wood strip from one side of the board. Then turn the board, set both log beds to the same height and saw off a 1/4" strip. Now measure the width of the board carefully. If the board is not the same width along its entire length, it means that the log beds are incorrectly set or that the guide rail is crooked.

B. Checking the cutting equipment

The guide bar must not cut upwards or downwards during sawing. If the cutting equipment is faulty, it is most noticeable when the guide bar leaves the log. If the guide bar does not 'float' out of the log but springs up or down, problems can arise. This can be an indication that there is something wrong with the guide bar or the chain.

Reasons for malfunction in the cutting equipment:

1. A common cause of sawing problems is that blunt chains are used.
2. The chain may be damaged on one side, for instance by metal objects in the log. The chain may still cut, but pulls up or down.
3. The chain may have been filed incorrectly. The teeth on one side may have been filed less than the ones on the other side. To get a more even result, try to maintain the same working position when filing the left and the right sides of the chain. That a few teeth are faulty or that some are missing, such as after sawing through nails, usually has very small effect on the function.
4. When precision diminishes after a period of faultfree sawing, it is almost always due to wear on the guide bar.
5. If you get a ridged surface, consult *The Handbook for Your Cutting Tools*. It can be downloaded free of charge from our web site.

When the guide bar is not fitted straight

On some chainsaws the bar fitting is not level, making the bar tilt sideways. Clean the bar fitting. Place a straight and approx. 1 m long board across the guide bar (without the chain) and check against the guide rail. If the guide bar is tilted sideways, place shims between the carriage plate and the slide rails until the board above the guide bar is parallel to the guide rail. Tensions in the wood can sometimes result in the symptoms of faults in the cutting equipment.

C. Tensions in the timber

The sawmill can only saw straight. If the wood twists during sawing, then precision will be lost. Tension can cause large variations in measurement. Hardwood often has higher tensions than softwood. But tensions in softwood can also be problematic. Trees that have grown on steep inclines, for instance, can have high tensions. In such cases, a whole group of logs can be difficult to saw.

Tensions can also arise in storage. If the bark and top segment begin to dry, the whole surface will begin to shrink. In such a case, when one side is sawn, the log may bend slightly.

It is easy to discover tension in logs that leads to measurement errors. Each time you pull the saw back, you can read what is happening in the log. As long as the guide bar continues to lie just above the newly sawn surface, then the log has not bent. However, when there is space between the guide bar and the sawn surface, or if the guide bar is pressed upwards, it is time to plan how the next cut should be made to reduce the effects of tensions.

When sawing from the top towards the bottom, the wood has a tendency to bend downwards at the ends. This is especially true if there is large root-end growth. It is therefore often best to turn the log after passing through the centre and saw the rest of the material from the other side.

If you still want to saw logs with high tensions, it can be a better alternative to use a chain saw and a Timberjig (SKU: 4900-000-1000) to slice up the log. The Timberjig follows the previously sawn surface and therefore gives better precision if the log bends.

Some tips for avoiding the effects of wood tensions

1. Cut wood with tensions in as short lengths as possible. By reducing the log length to app. 2.5 m, the precision will be high even if there are high tensions in the wood.
2. Work around the log, sawing all sides in order.
3. To get perfect measurements on the last board, you can saw the last cut with a newly sawn cant as underlay. Another way is to use special accessories for the sawmill to support the ends of the log. If many logs that are over 3.5 m long are to be sawn, it is best to extend the sawmill by 1 or 2 m and one extra log lifter/log bed.

PRECISION

Precision of the sawmill components

The sawmill is constructed of extruded aluminium profiles. This material can, by nature, deviate somewhat when it comes to angles and flatness. When designing the sawmill, we have taken this into consideration, so possible deviations will not affect the functions of the sawmill.

One place where the slightest deviation is clearly noticeable, is the joint where the ends of the guide rail sections meet. It has been shown that it is very difficult to make such a wide crosscut at a precise angle. A saw blade is quite simply not more precise than +/- a couple of tenths of a degree, which results in visible deviations. These deviations, however, are of no importance, provided that you do not press the gap closed. Press the guide rail sections together without using force. The joint coupler will adjust and fix the guide rail sections in relation to each other.

For the sawmill, we want to have an as exact fit as possible of the log lifters' plastic glides. Plastic is soft and difficult to process. This can result in the log lifters being somewhat difficult to move. If this is the case, use fine sandpaper and polish the plastic until they run easily. Usually, the plastic will have worn down after a couple of days use. (Before polishing, read the section on adjusting the log log lifters on page 40).

Demands for precision

We are convinced that a chain sawmill can provide as good results as, or better results than, other small-scale sawing methods. A large number of our customers have reported that they have never had better wood products than those they have sawn themselves. However, it is natural that we also meet customers who want to improve on the precision. Experience has shown us that variations in sawing results can have many explanations. The choice

of raw material is vital. Cutting good boards from short, sturdy logs is considerably easier than getting high precision results from thin, long ones. Tensions caused by storage or place of growth can cause problems. Some tree types cause more problems than others, etc.

The precision requirements also vary. A result that is satisfactory for someone sawing boards for rustic fence posts may not be good enough for someone sawing boards to be used in construction without being planed.

If you have gone through the various steps for adjusting the sawmill, checked the cutting equipment and observed the effects of tensions in the wood, but still do not get the sawing results you expect, contact us at LOGOSOL.

MATERIAL DRYING

Once the wood is sawn it must be dried. If this is not done in the right way, then there is a danger it will be damaged by dry or fungal rot.

The best time for outdoor drying is in the spring. The relative humidity of the air is very low and the wood will dry in a couple of weeks.

Cut some supportive blocks in the length that corresponds to the width of your pile, ideally larger pieces i.e. 5"5, to raise the wood from the ground, which should also be dry, level and free of growth. The spacing should not exceed 1 m and should lie level and in line with each other.

Cut spacers or drying sticks in the same length as the supportive blocks. They should be of the same thickness (1x1" or 1x2") and dry. (You can get material for these by making an extra cut when edging your boards.)

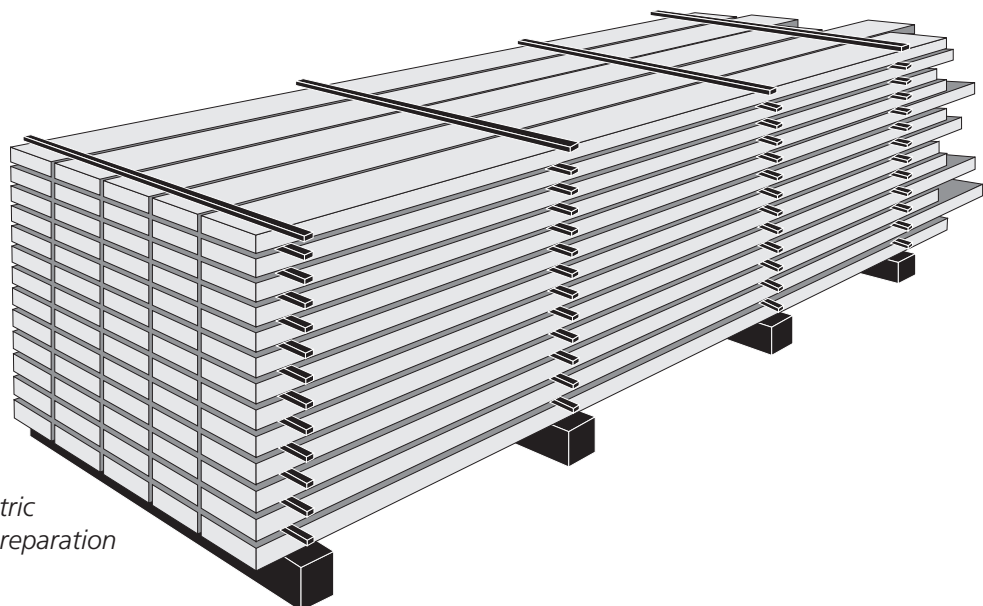
Place the first row of boards on the underlying surface. The boards are to be of the same thickness and be positioned a few centimetres apart. Then place a spacer on the boards (in the same positions as the underlying supportive blocks) before the next layer is laid. It is important to place the spacers exactly over each other, to keep the boards from warping or bending.

The higher you pile the boards, the better pressure there is on the lower boards. Place roofing of plastic, metal sheeting or masonite over the top to provide protection from rain, but leave the sides open. Put a weight of some sort on the roof to put pressure on the top planks.

If the wood is to be used for fine joinery, it should be stored in a heated room for another 3-4 weeks (longer for thicker dimensions) or be dried in a wood drying kiln for a perfect result.

It is possible to use undried wood in some constructions, but it must be kept in mind that the width and height will shrink 5%. Wood also shrinks around 0.3% in length, but this can usually be disregarded. In order to avoid rot, you should not enclose undried wood in a way that makes it hard for air to circulate. One further tip: Do not drive two nails next to each other as the board will probably crack in the middle when it dries out. Drive one nail and wait with the second until the wood has dried.

One example of where you should use undried wood is when building log structures. In such a situation, a heavy wall is a plus, as is the possibility that the logs still can be shaped when they are pressed against each other.



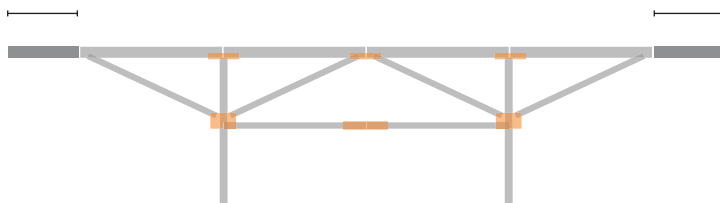
LOGOSOL also has electric wood drying kilns for preparation of fine joinery timber.

ACCESSORIES

For the LOGOSOL F2 there are a number of accessories that will facilitate working with the sawmill. Visit our website for up-to-date accessories and prices.

Extensions

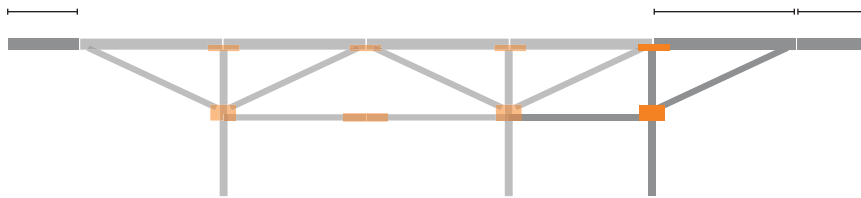
The LOGOSOL F2 is built of 1-metre sections, and in its standard version it can be assembled as a 3-metre-long sawmill with one metre between the log lifters, which is suitable for shorter log pieces, or as a 4-metre-long sawmill with 2 metres between the log lifters for longer logs. It is easy to extend to any length with the help of guide rail sections and log lifters as needed.



1.0 m extension

Two 0.5 m guide rail sections give a sawing length of 5 m.

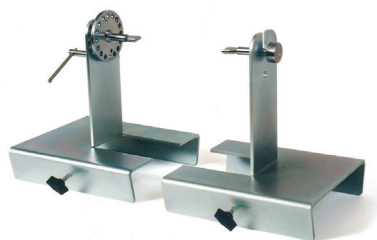
4525-555-0001



2.0 m extension

Two 0.5 m guide rail sections and one 1.0 m guide rail section with an additional log lifter give a sawing length of 6 m. Here you also have the possibility of cutting short log pieces without reconfiguring the sawmill.

4525-555-0003



Round sawing attachments

A really cool accessory! Cut your own posts with up to 16 sides. Both straight and tapered.

4525-555-0003



Protective bags

Useful protective bags for your sawmill when transporting or storing it.

4525-555-0003



EU declaration of conformity

LOGOSOL AB,
Fiskaregatan 2
S-871 33 Härnösand
SWEDEN
Phone: +46 611 18285,

Hereby declares that:
LOGOSOL's sawmill
Type: LOGOSOL F2
is manufactured in accordance with the following
EU directives:
2006/42/EG, Machinery Directive
2006/95/EG, Low Voltage Directive
2004/108/EG, EMC Directive

This declaration is based on the following standards:
EN ISO 12100:2010, EN 60204-1:2006 + (EMC
standard)

Mattias Byström, Product Manager, is responsible for
the technical files.

Härnösand 2017-11-01
Malte Frisk, CEO



Fiskaregatan 2, SE-871 33 Härnösand, SWEDEN
Phone +46 611 18285 | Fax +46 611 18289
info@logosol.com | www.logosol.com