

**LOGOSOL**

# **BUILDING INSTRUCTIONS**



**“THE TOY FACTORY”**

**BUILD A ROCKING HORSE**

Assembly



## INTRODUCTION

*For your children, grandchildren and great grandchildren.*

*I have a small, nicely painted stool that my grandfather made. A stool that my father, then I and later my now grown-up boys have played with. Now we also have a little daughter whom you can see in the photo below. She plays with the very same stool in our summer cottage.*

*Making something the children can have fun with, and that is of such quality that it can be handed down from generation to generation, is something very special. Without question, making furniture or windows can be both fun and profitable, but the joy you are rewarded with when making a nice rocking horse for a child is of an entirely different kind – both when making it and when giving it away.*

*Enjoy!*

*Mattias Byström  
Product Manager, Logosol*



*Stella and her new rocking horse.*

### **THIS IS WHAT YOU NEED:**

- Logosol MF30 Vertical Milling Machine (spindle moulder)
- Logosol PS315 Panel Saw
- Logosol H410 Jointer/Planer (You can, of course, also use other machines.)
- Wood glue
- Suitable wood screws, or a drill and dowels
- Wooden round rod, 20-25 mm
- A drill bit that match the round rod

For making glulam boards:

- Logosol SH410
- Plano Glue Press

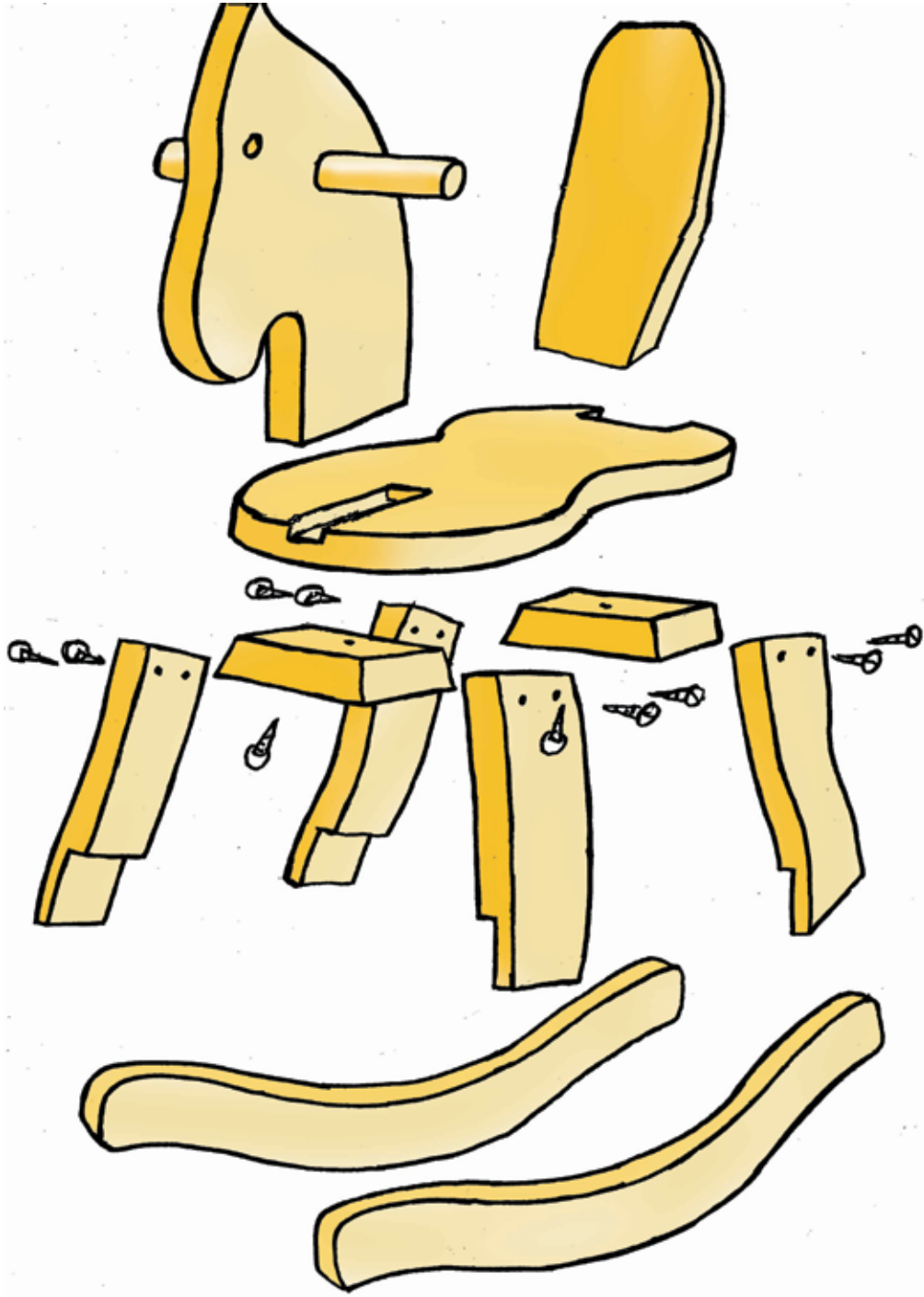
The templates for the parts of the rocking horse (marked "TEMPLATE") are of a scale of 1:1. You can cut these out and attach them to your wood pieces. The example shown in these instructions is a rocking horse for children that are 1 to 2.5 years old. If you want to give the horse to an older child, the easiest way is to extend the legs with up to 10 cm.

This rocking horse is best built by using glulam boards, i.e. pieces of fine timber that are glued together. The wood pieces are easiest produced in the LOGOSOL SH410, but they can also be made in other machines. Use standard wood glue. To get sufficient pressure and flat boards, you can use the Plano Glue Press, which can be bought from LOGOSOL. You can also buy ready-made glulam boards of different dimensions.

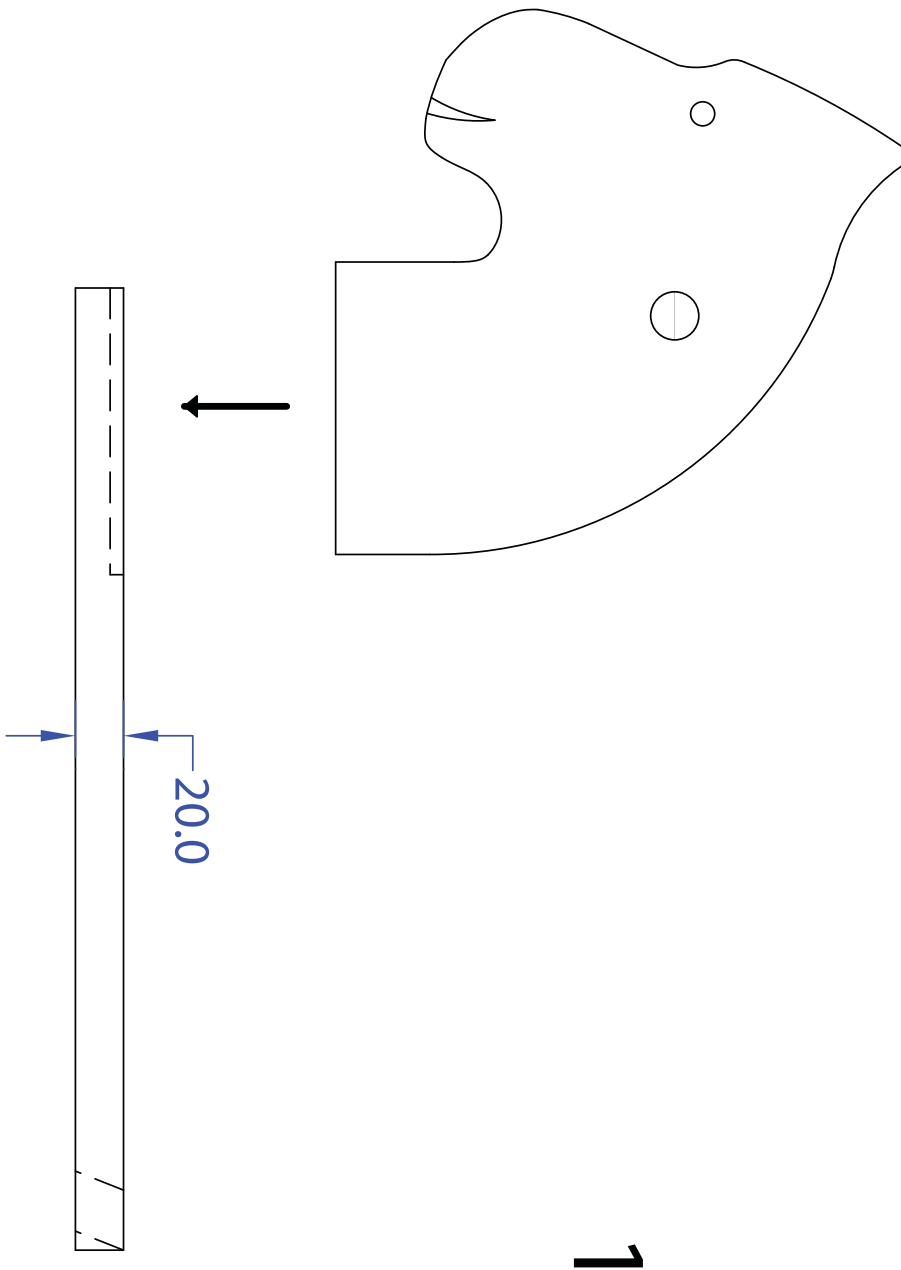
### **WHEN BUILDING THE ROCKING HORSE**

- Always "dry-fit" the pieces together before using glue. Put them together with clamps and make sure that they fit correctly in relation to each other.
- Do not rush with the gluing. Go carefully through each step. Tip! Mix a little water with the glue to prolong the drying time so you can make small adjustments.
- Always measure! The angles are important.
- Keep track of right and left leg and rocker when making the angles!
- Always make test pieces of a cheaper material or of waste pieces before cutting into the glulam pieces.

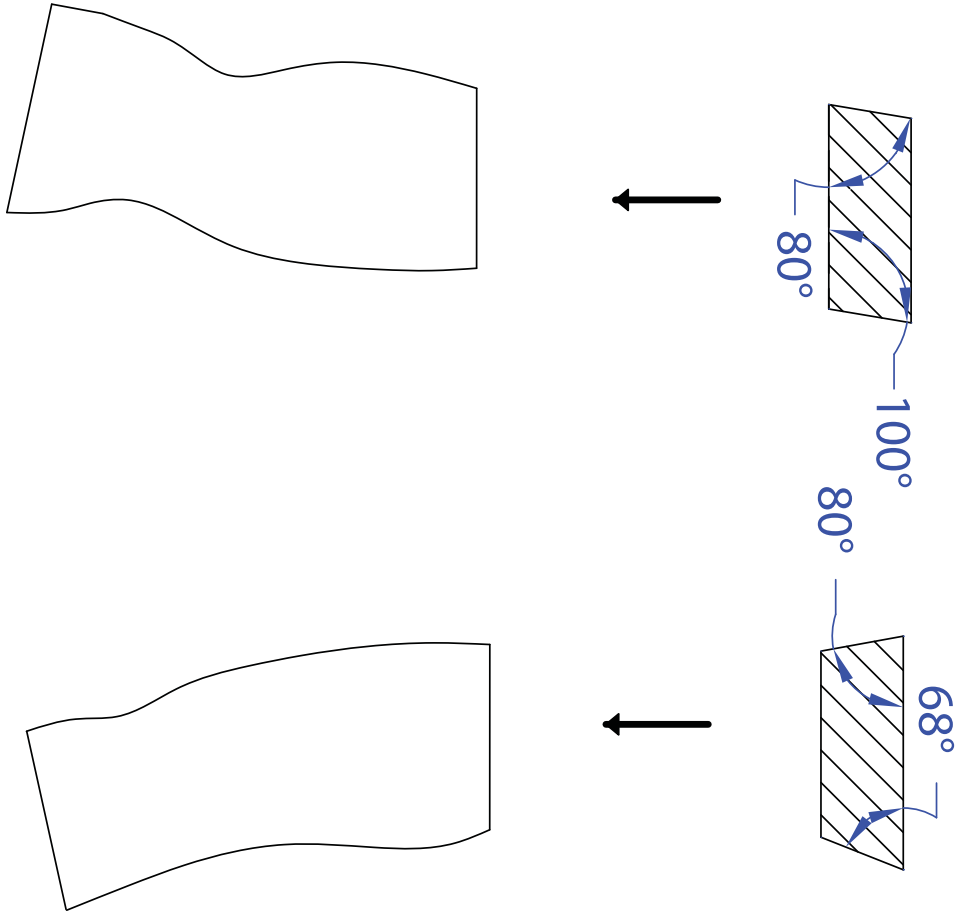
ASSEMBLY INSTRUCTIONS



1. Glue and screw the head to the seat.

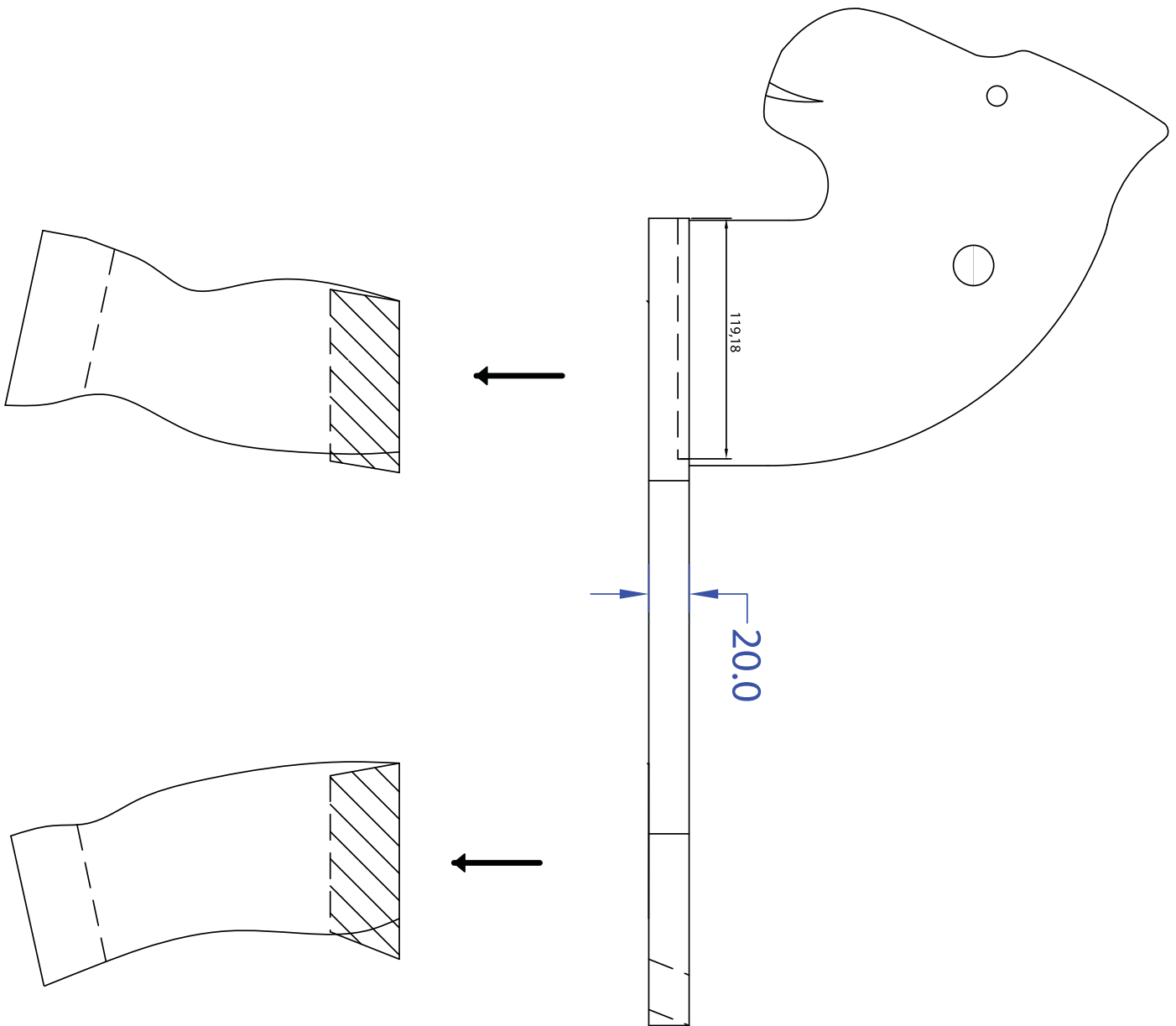


2. Put the legs and the blocks together with clamps and measure up the right distance and the correct angle to the bottom of the seat. Glue and then screw the legs to the blocks.



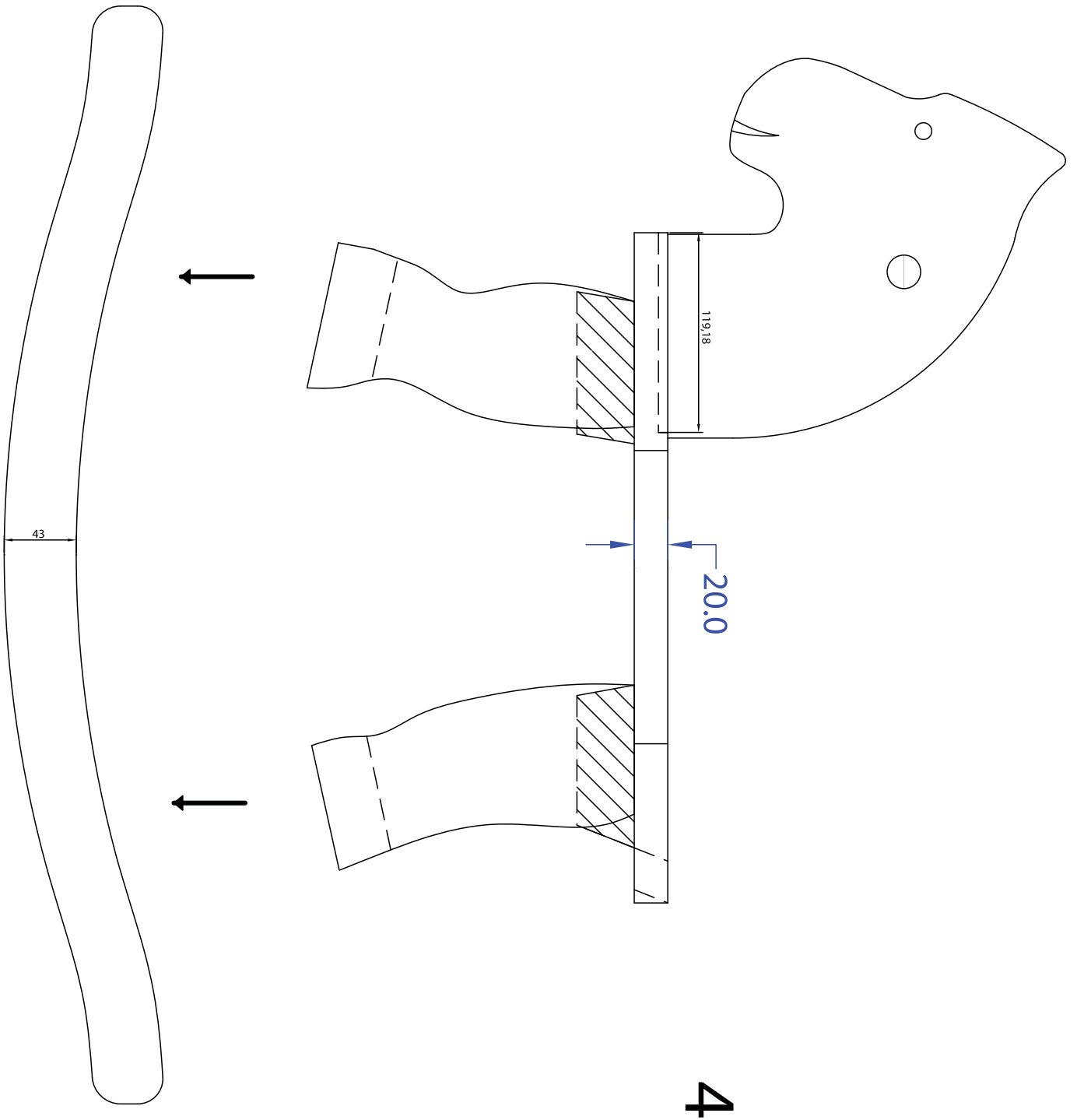
**2**

3. Fit the glued legs and blocks to the seat with clamps, and measure up the right distance between the legs. While the legs are secured with clamps, also measure that the rockers fit correctly. Glue and then screw the legs to the seat.



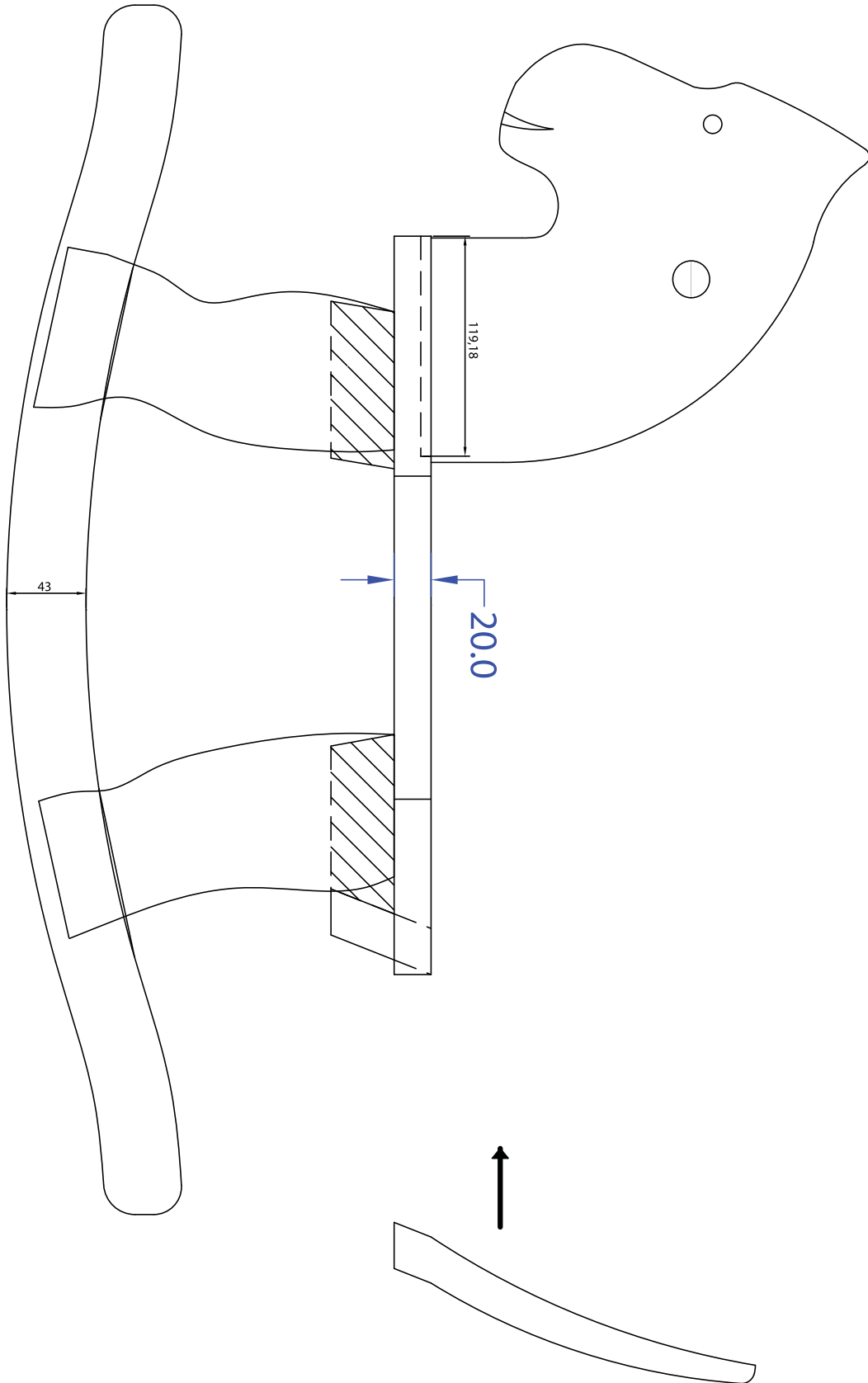
3

4. Glue the rockers to the legs/hoofs.





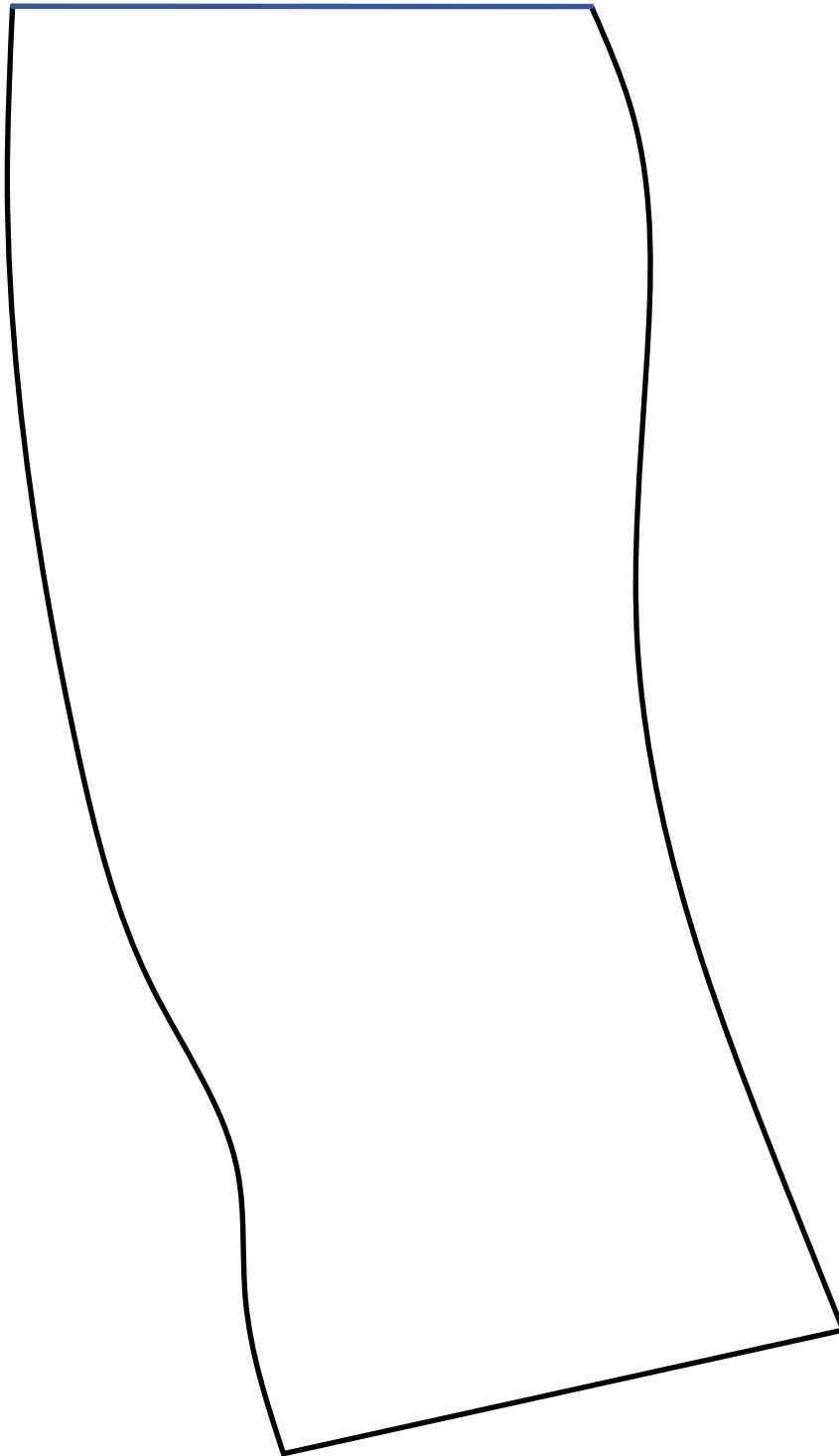
5. Lastly, glue and then screw the tail to the seat.



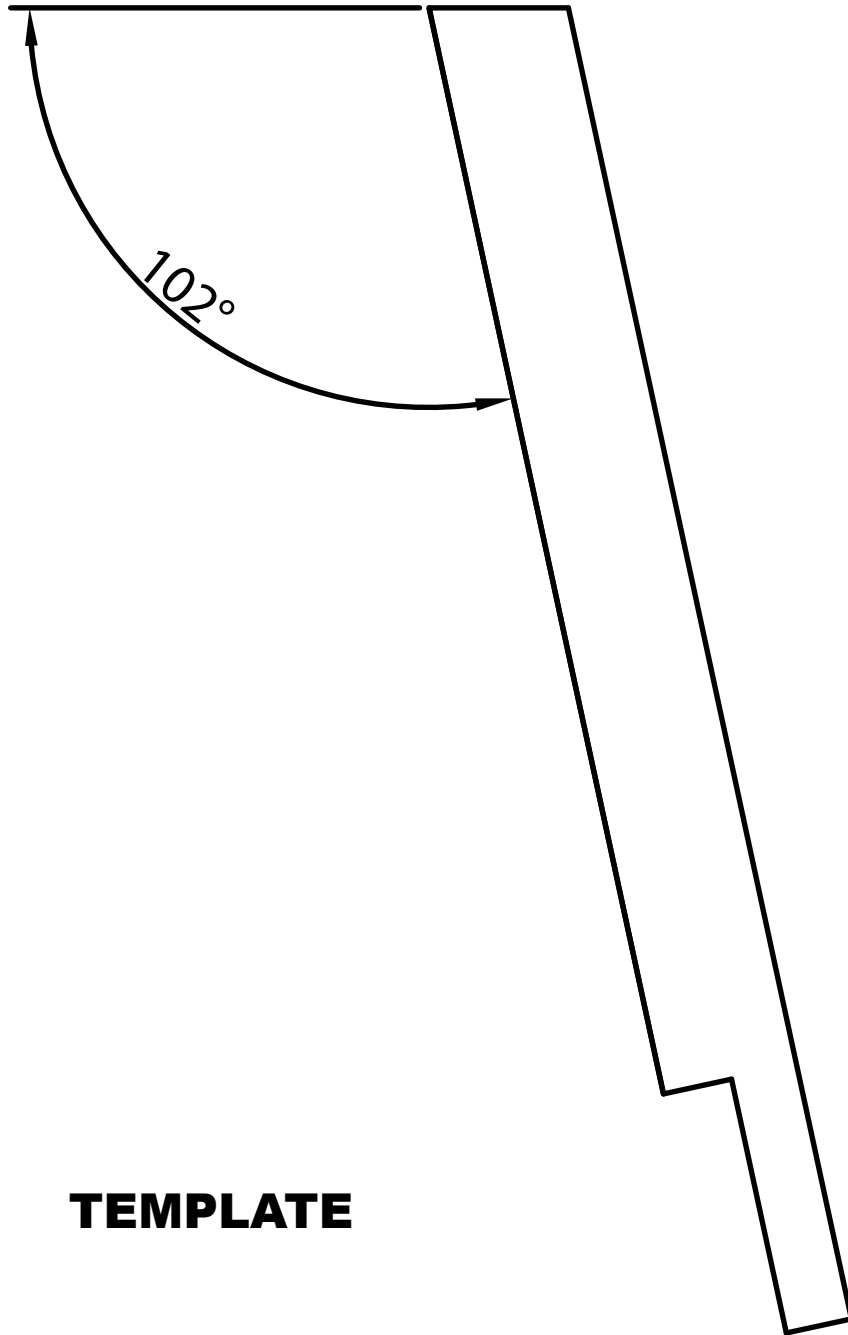
5



**TEMPLATE**

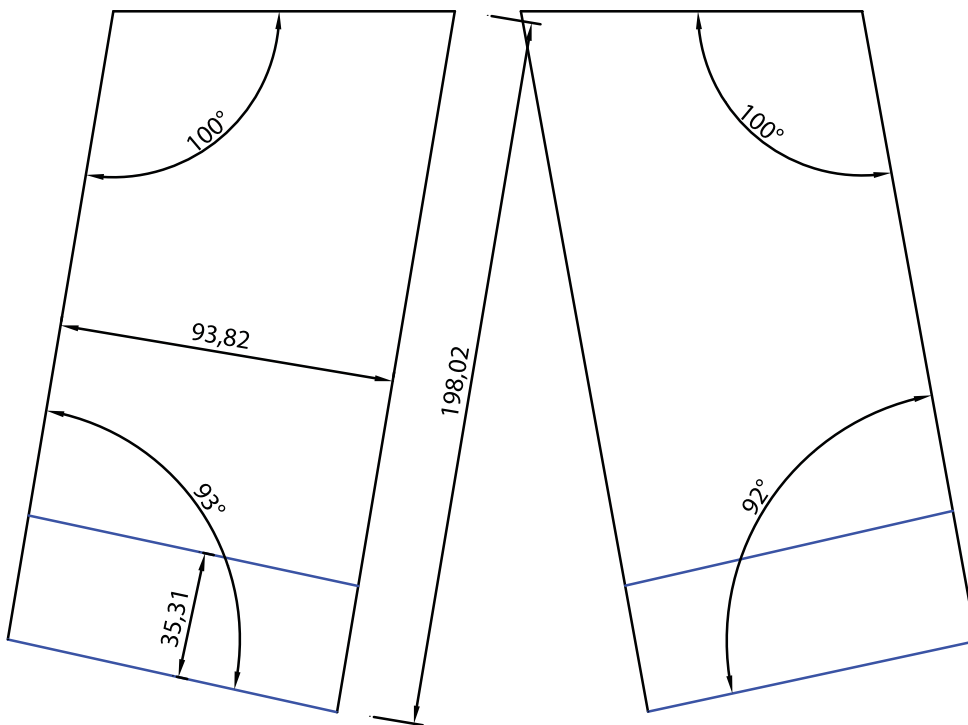


**TEMPLATE**

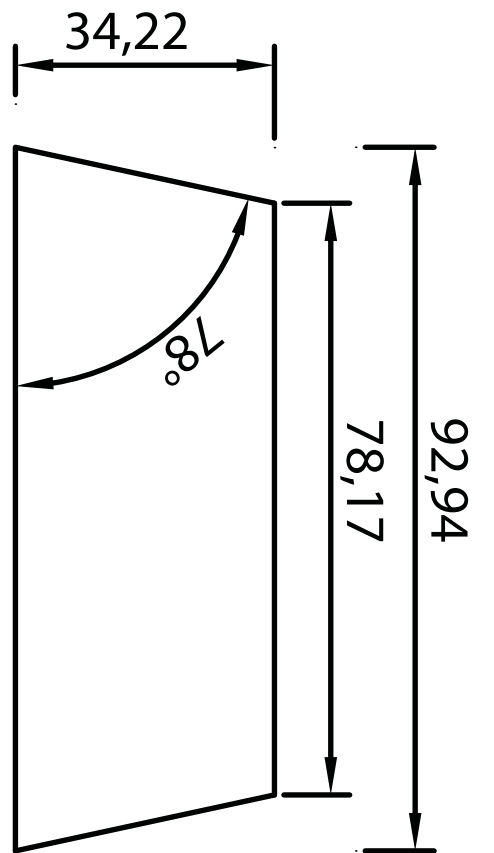
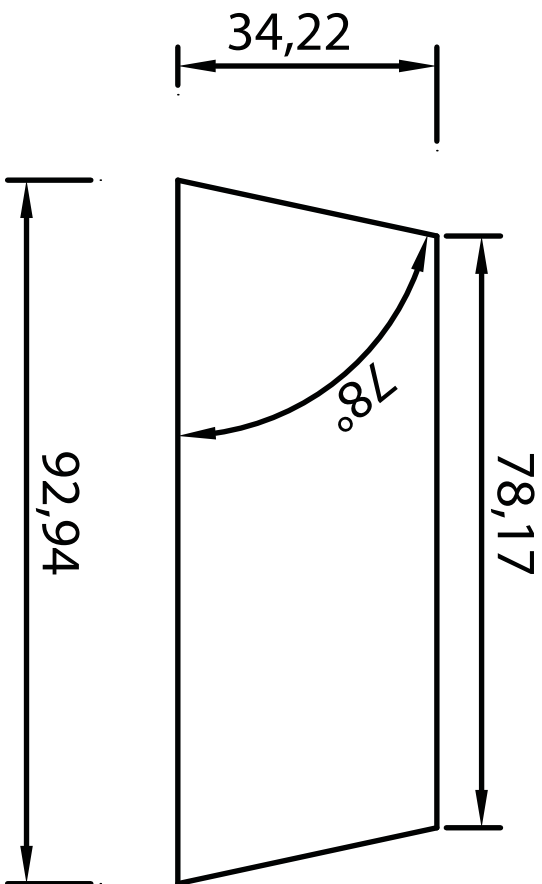
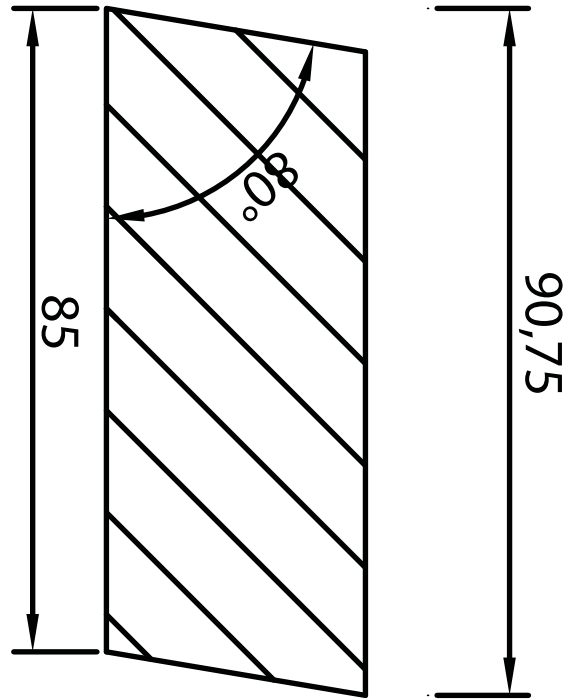
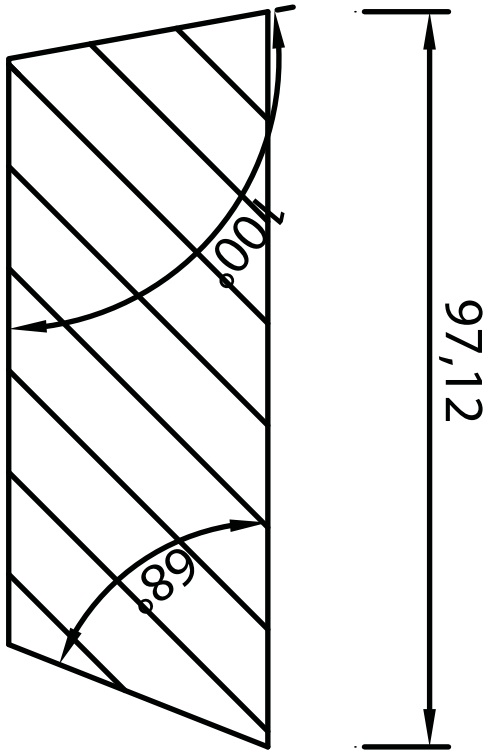


**TEMPLATE**

The legs' angle to the seat.

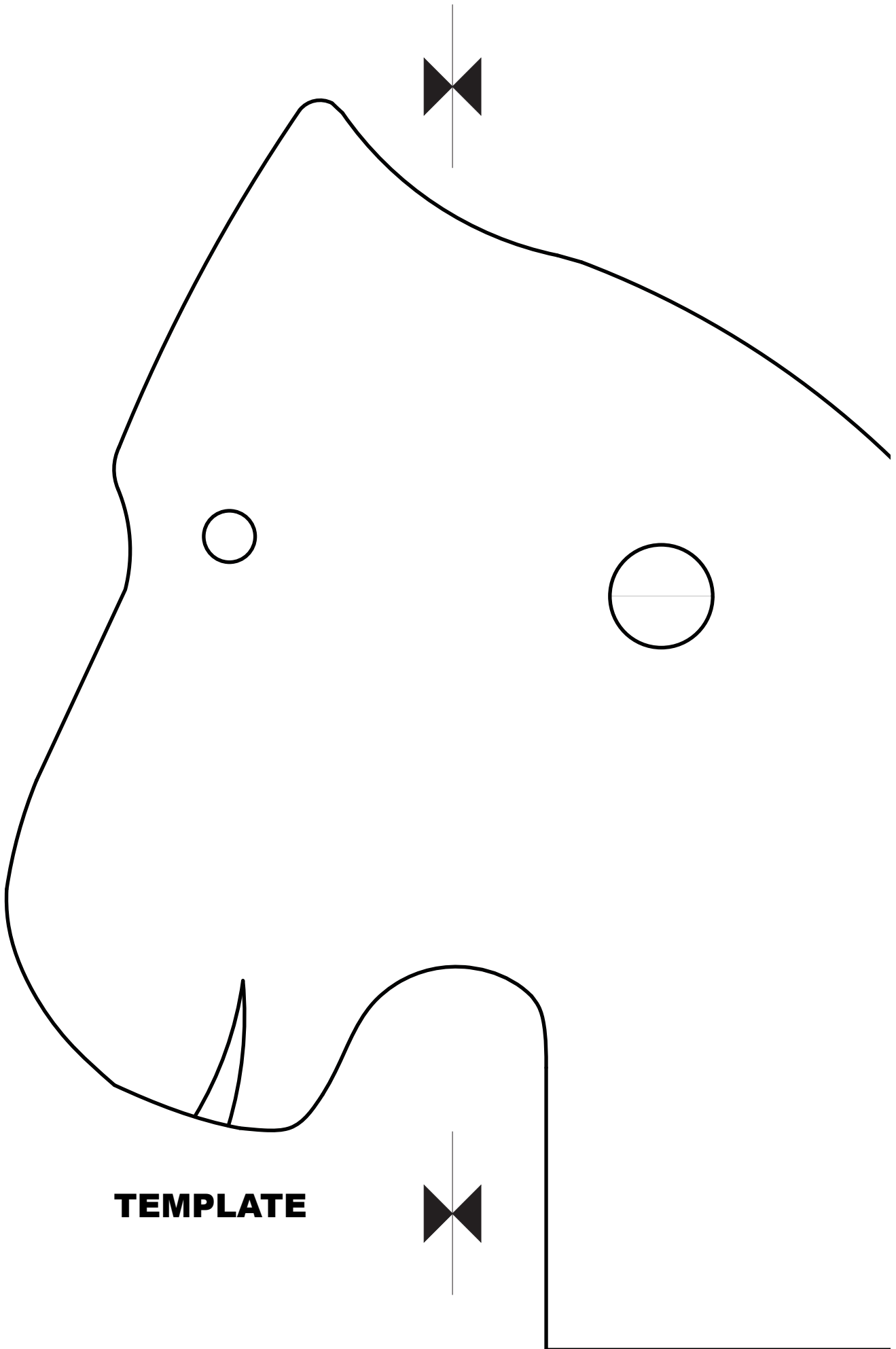


Angles and measurements for the leg pieces.



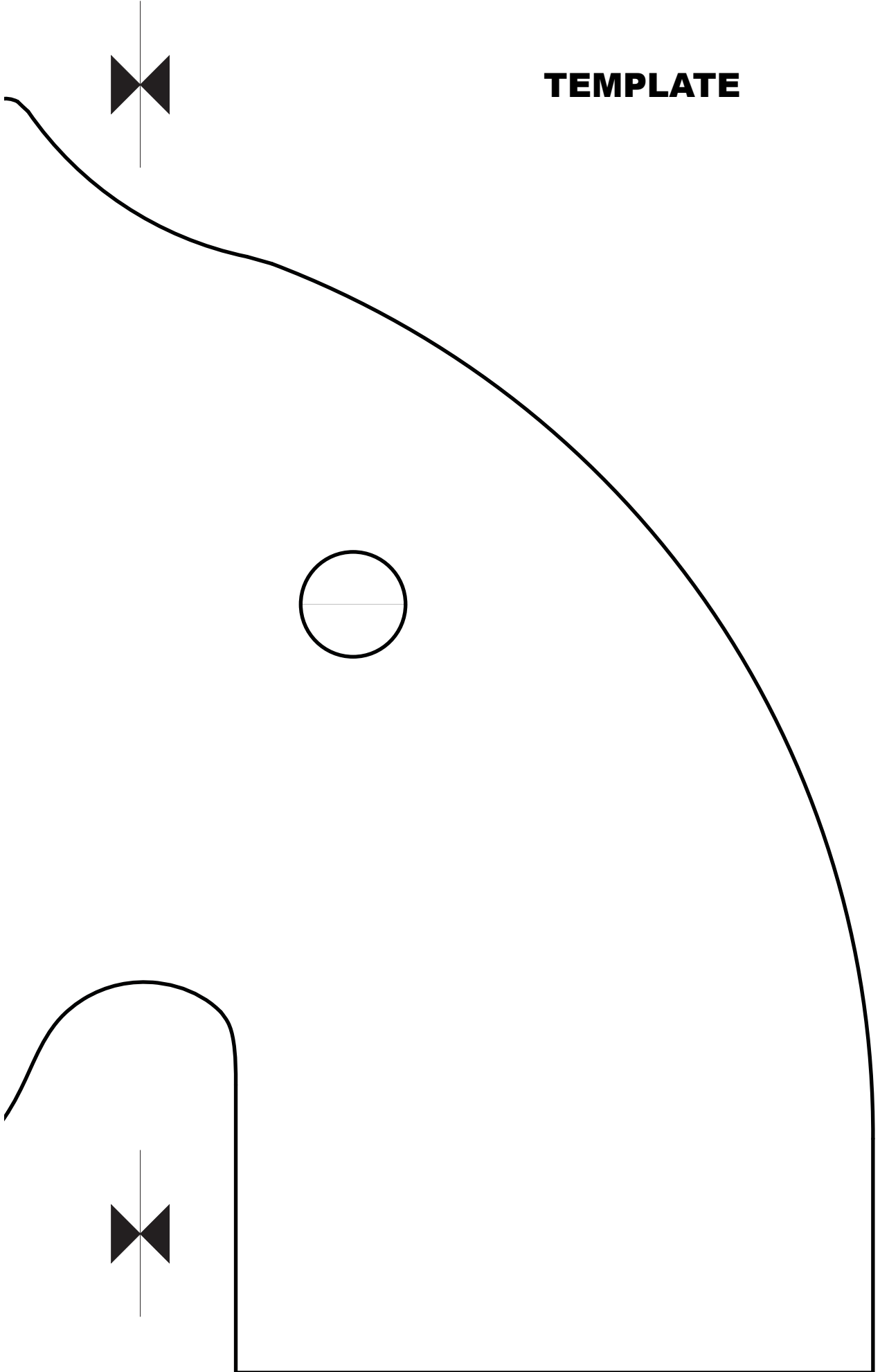
**TEMPLATE**

**TEMPLATE**



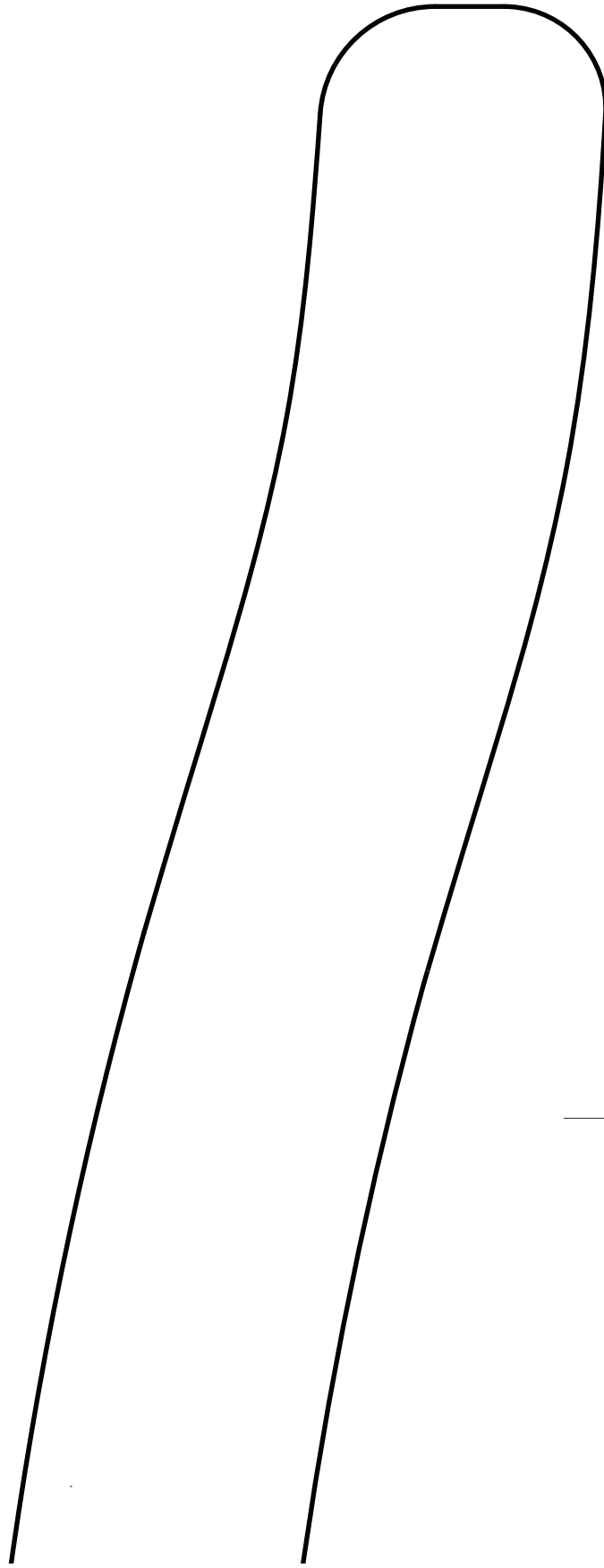
**TEMPLATE**

**TEMPLATE**





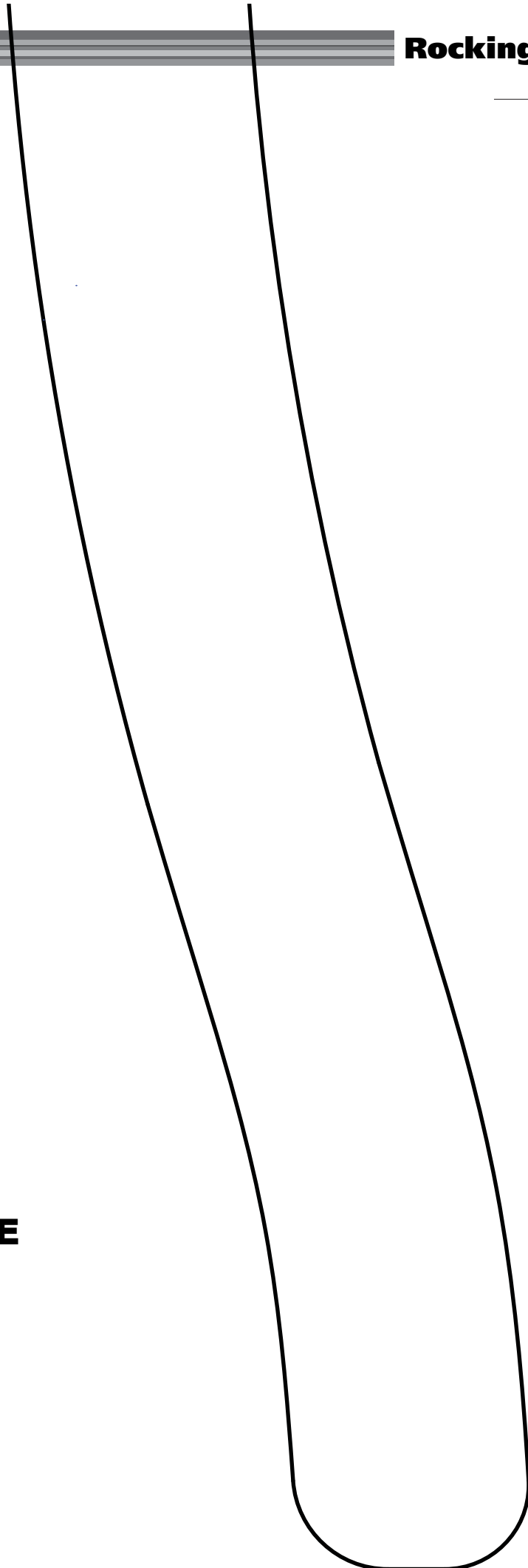
**TEMPLATE**



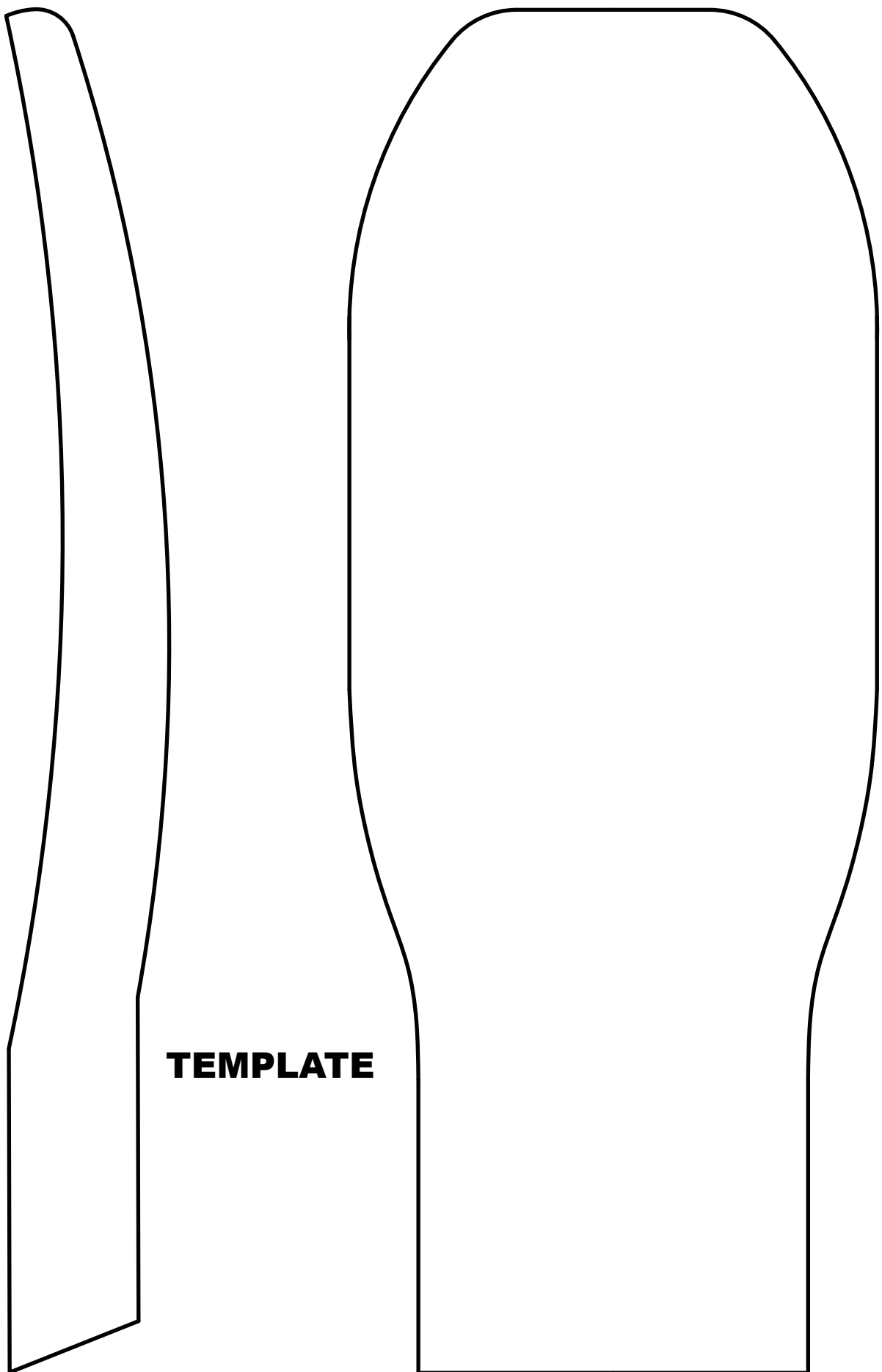


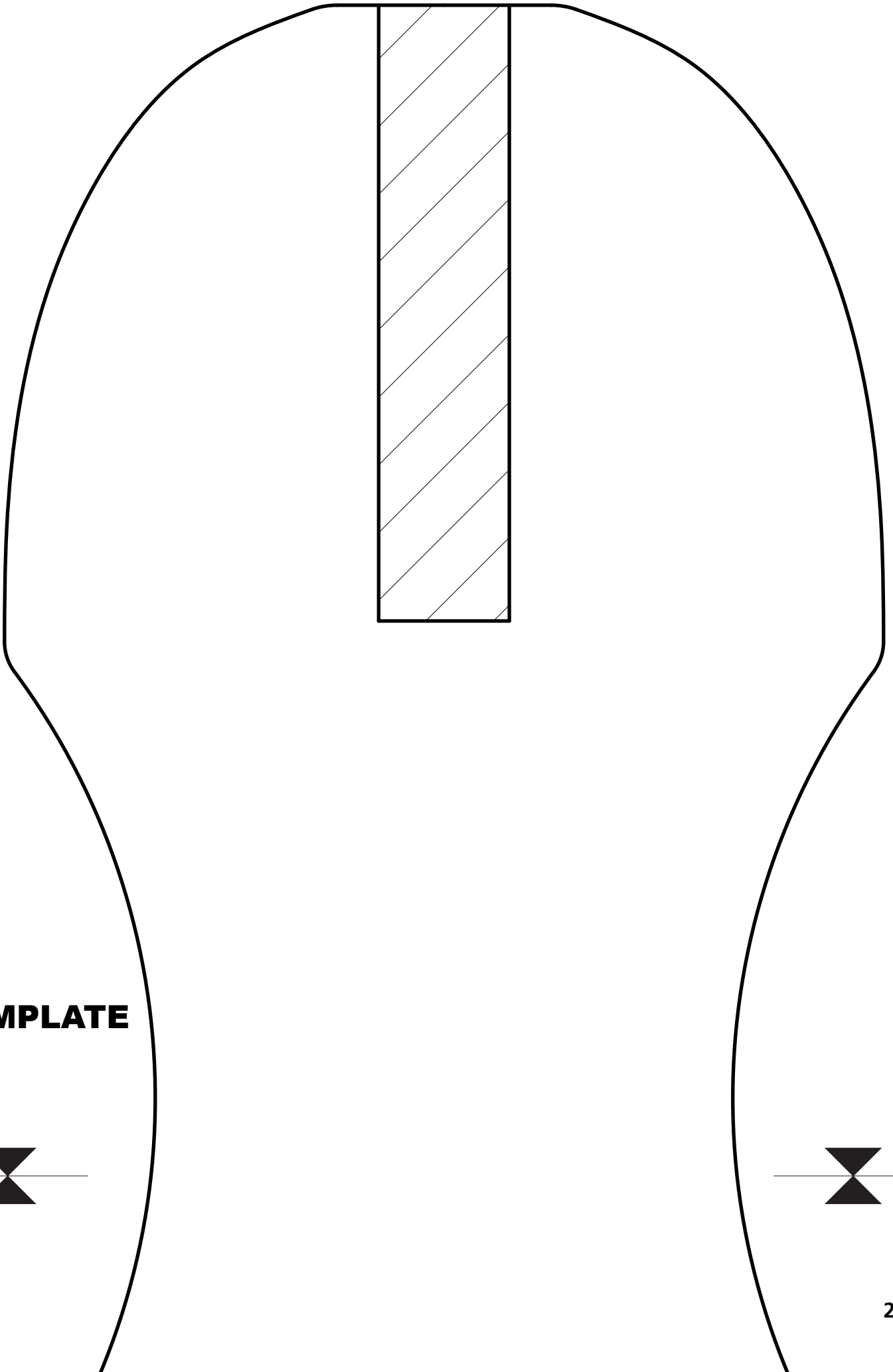
**TEMPLATE**





**TEMPLATE**



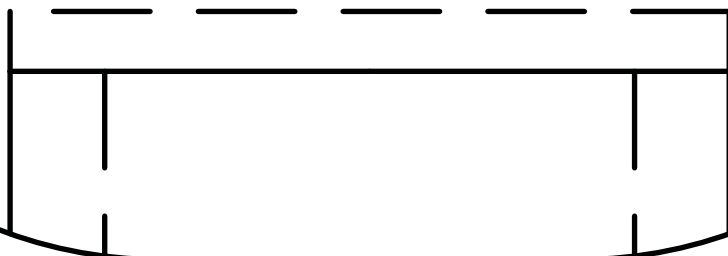


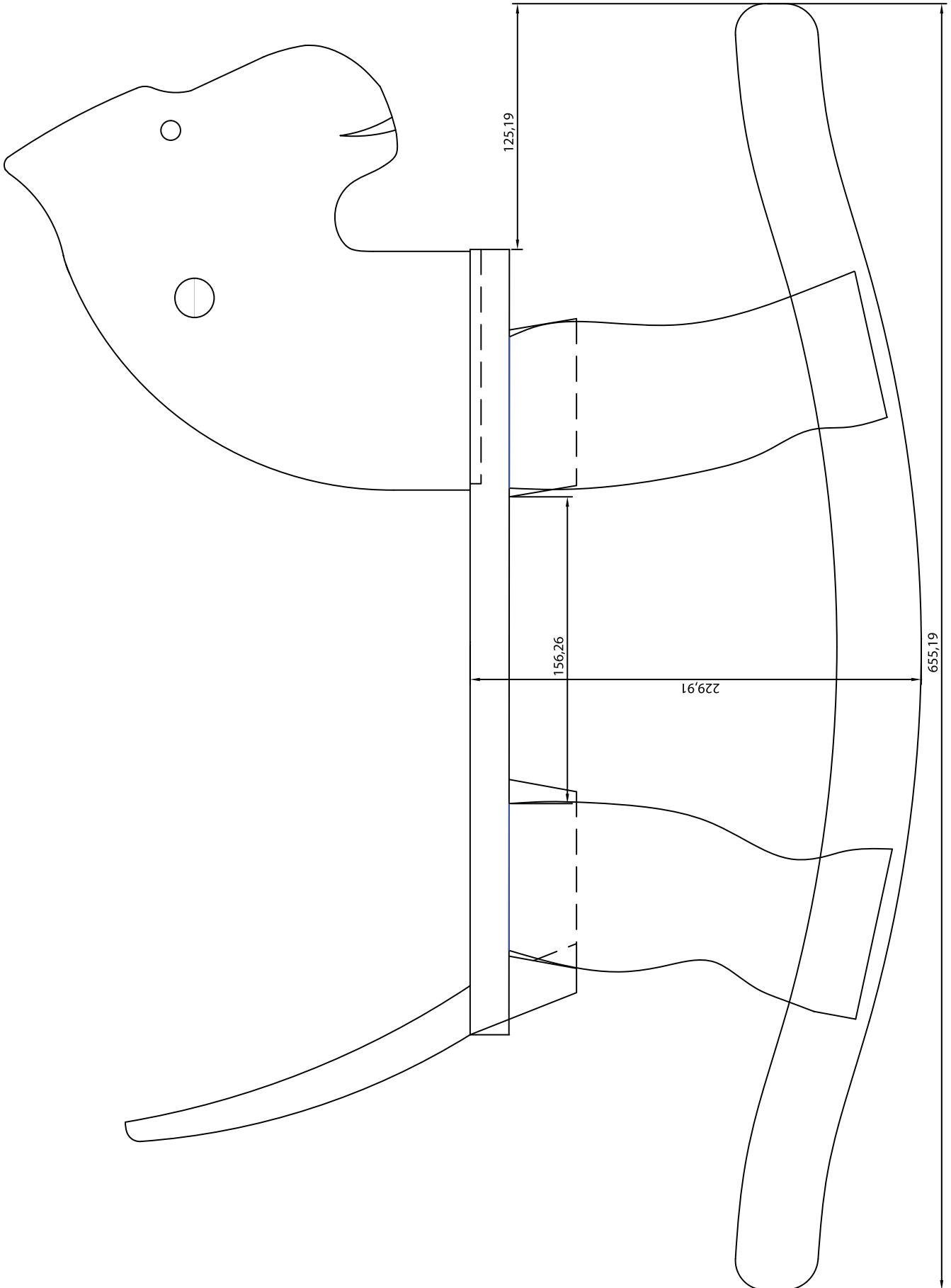
**TEMPLATE**

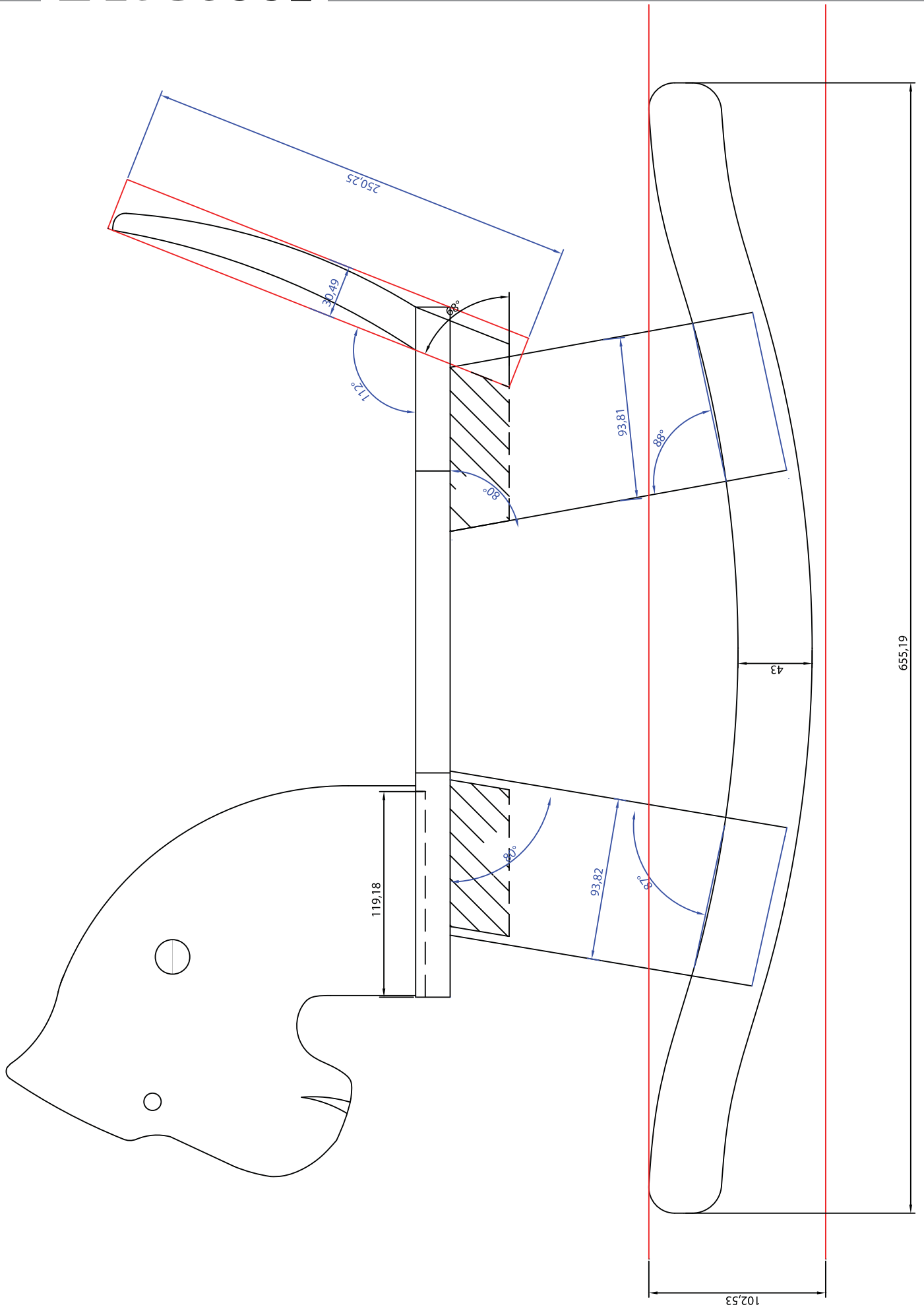




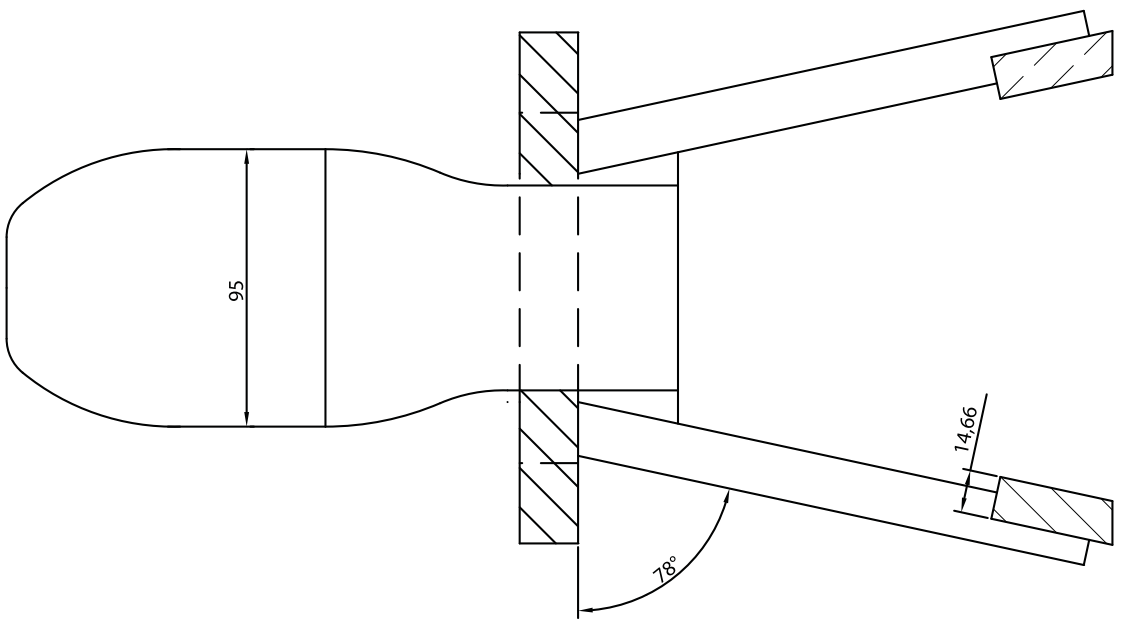
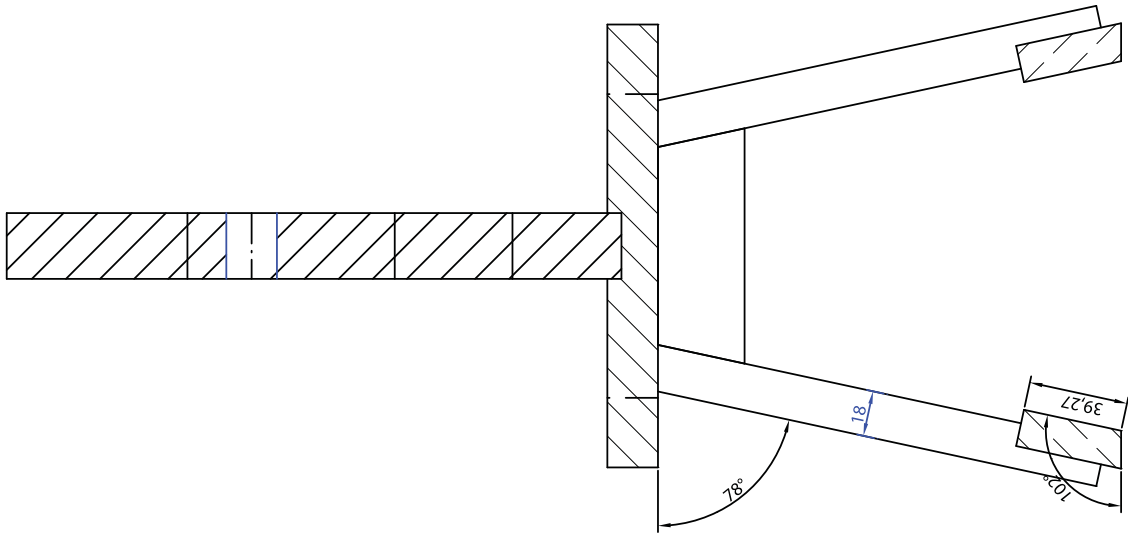
**TEMPLATE**













## Get our newsletter & the magazine Fresh Cut

Visit our website [www.logosol.com](http://www.logosol.com) and sign up for our e-newsletter and our customer magazine Fresh Cut! Our newsletter comes once a month and contains both news, reportage and exciting offers. The magazine Fresh Cut comes twice a year and can be downloaded on [www.logosol.com](http://www.logosol.com).



## LOGOSOL'S TOOL CATALOGUE

In our tool catalogue you will find everything you need for your woodworking shop. Call +46 611 18285 to get your free copy.



## LOGOSOL'S PRODUCT CATALOGUE

Machines and tools you can use out in the woods and at home. Presentation of all our machines and prices. Call +46 611 18285 to get your free copy.